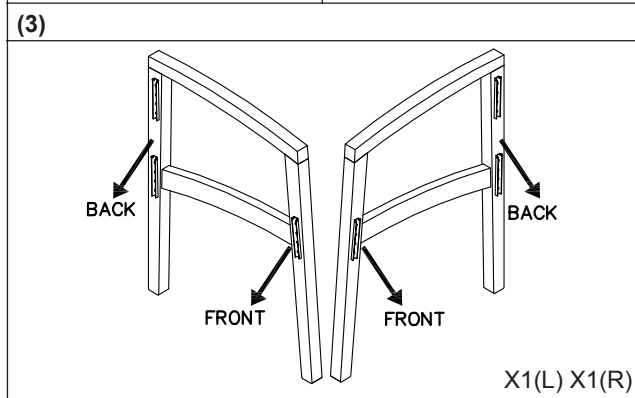
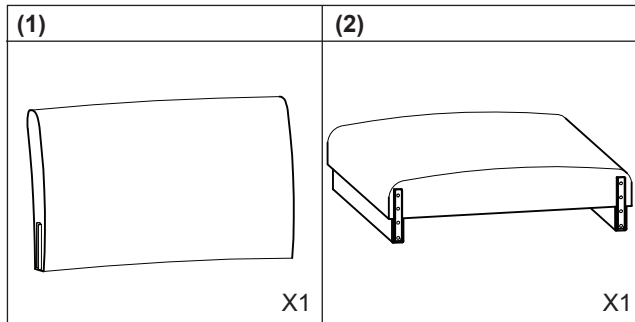


ASSEMBLY INSTRUCTIONS

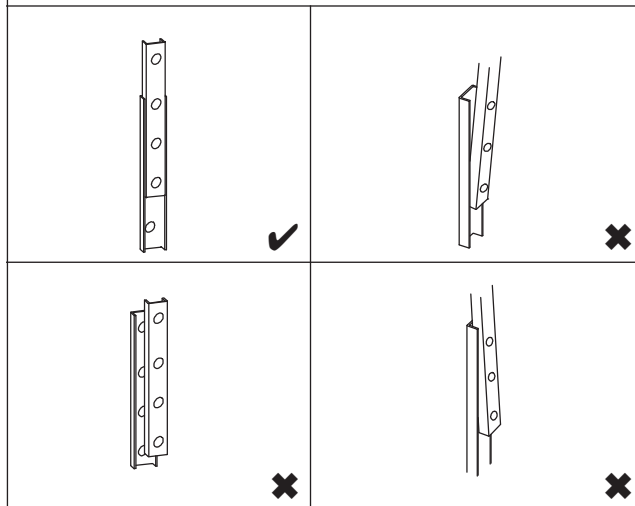
MODEL: 1700-A1

Before assembly, please remove all parts from the carton, verifying that you have the correct quantities, and read all the instructions.

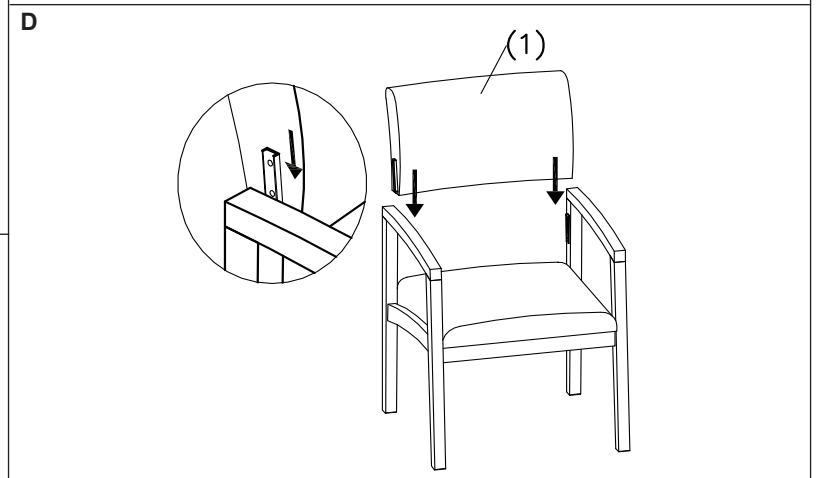
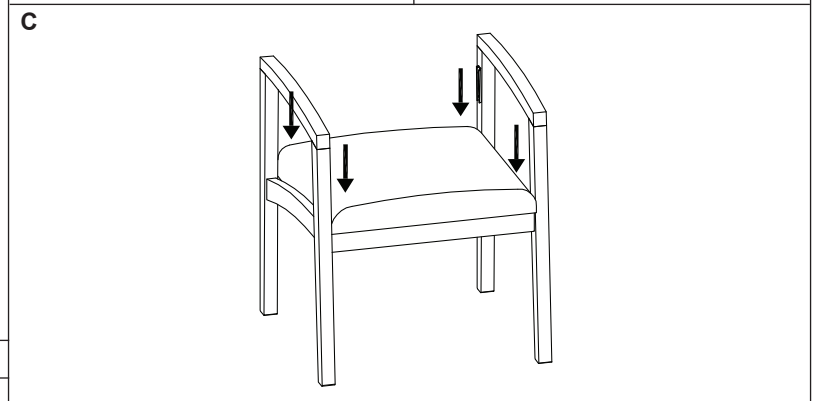
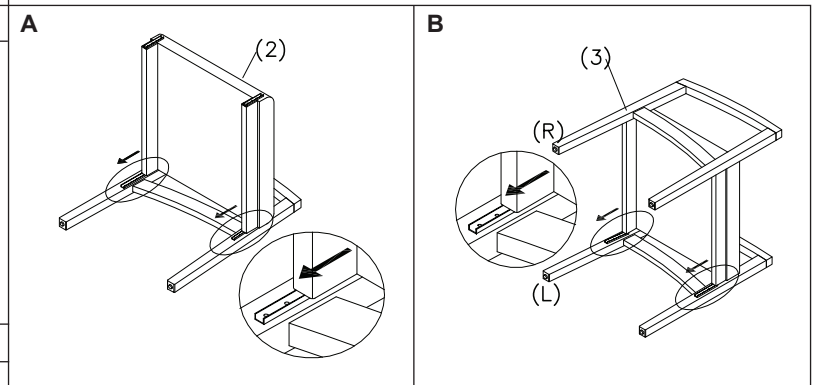
IN THE CARTON:



ALIGNMENT:



INSTRUCTIONS:



⚠ ATTENTION ⚠

To ensure proper connection, a rubber mallet may be required.

Do not use chair as a step stool/ladder.

Ensure all bolts and screws are tightened before sitting on chair, check bolts and screws every 6 months.

If any parts are missing, broken, damaged or worn, stop use of product until repairs have been made using factory authorized parts.

Failure to follow these warnings may result in injury.