





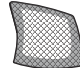







MODEL: 3128G-A1

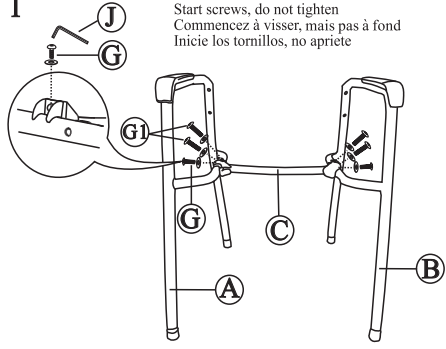
ASSEMBLY INSTRUCTIONS

THANK YOU FOR PURCHASING THIS DESIGNER GUEST CHAIR FROM PERFORMANCE OFFICE FURNISHINGS.

BEFORE ASSEMBLY, PLEASE REMOVE ALL PARTS FROM THE CARTON AND VERIFY THAT YOU HAVE CORRECT QUANTITIES.

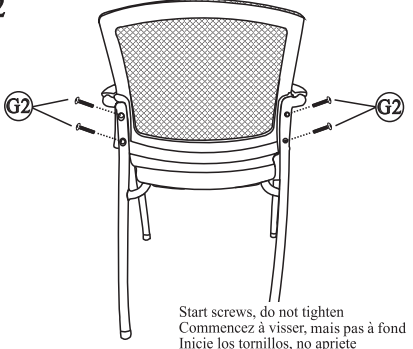
A	 L	1	G	 M6x16mm	2
B	 R	1	G1	 M6x30mm	4
C		1	G2	 M6x35mm	6
D		1	H		4
E		1	I		4
F		2	J	 5#	1

1



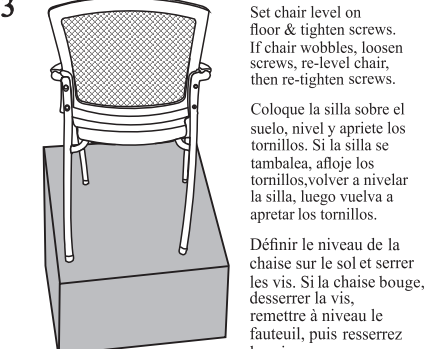
Start screws, do not tighten
Commencez à visser, mais pas à fond
Inicie los tornillos, no apriete

2



Start screws, do not tighten
Commencez à visser, mais pas à fond
Inicie los tornillos, no apriete

3

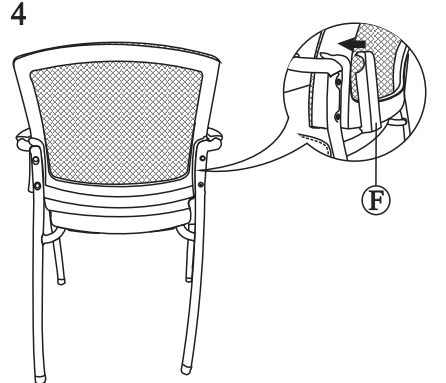


Set chair level on floor & tighten screws. If chair wobbles, loosen screws, re-level chair, then re-tighten screws.

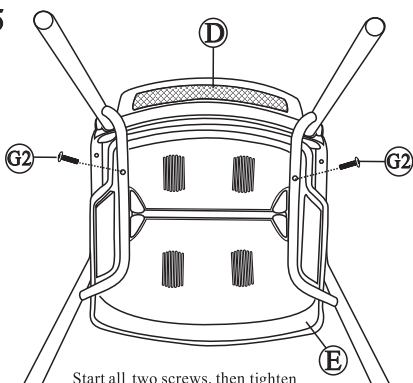
Coloque la silla sobre el suelo, nivel y apriete los tornillos. Si la silla se tambalea, afloje los tornillos, volver a nivelar la silla, luego vuelva a apretar los tornillos.

Définir le niveau de la chaise sur le sol et serrer les vis. Si la chaise bouge, desserrer la vis, remettre à niveau le fauteuil, puis resserrez les vis.

4

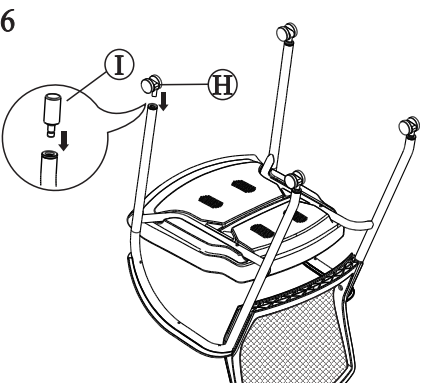


5



Start all two screws, then tighten
Commencez le vissage des 2 vis, puis serrer
Iniciar los cuatro tornillos, luego apriete

6



PREVENTIVE MAINTENANCE AND WARNING

- USE THIS PRODUCT ONLY FOR SEATING ONE PERSON AT A TIME
- DO NOT USE CHAIR AS STEP STOOL/LADDER.
DO NOT USE CHAIR UNLESS ALL BOLTS, SCREWS ARE TIGHTENED. AT LEAST EVERY THREE MONTHS, CHECK ALL BOLTS, SCREWS TO BE SURE THEY ARE TIGHTENED.
- IF ANY PARTS ARE MISSING, BROKEN, DAMAGED OR WORN, STOP USE OF THE PRODUCT UNTIL REPAIRS ARE MADE USING FACTORY AUTHORIZED PARTS.
- FAILURE TO FOLLOW THESE WARNINGS CAN RESULT IN SERIOUS INJURY.