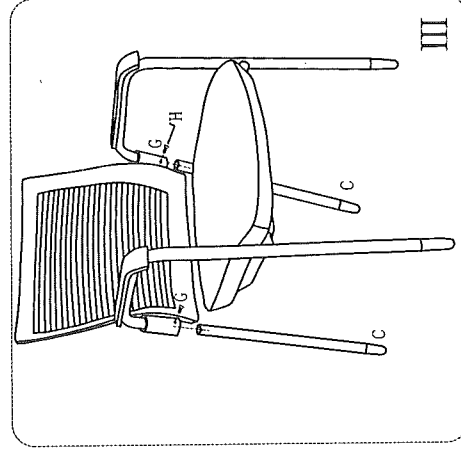
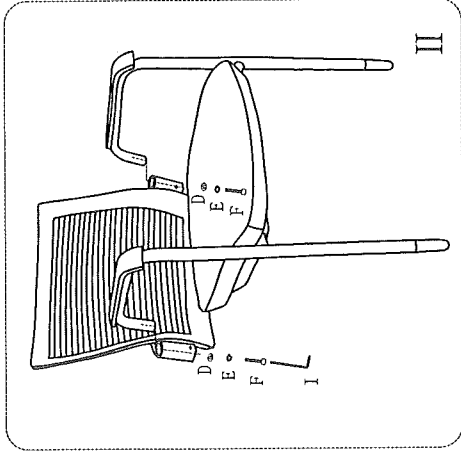
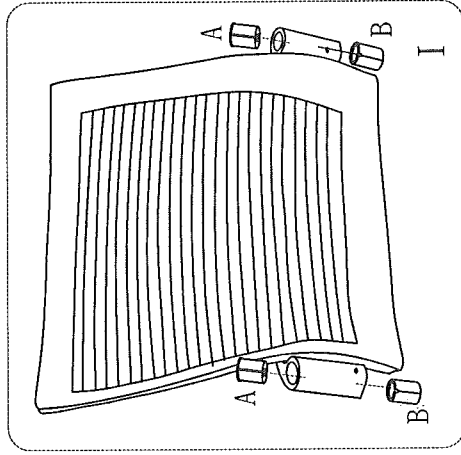
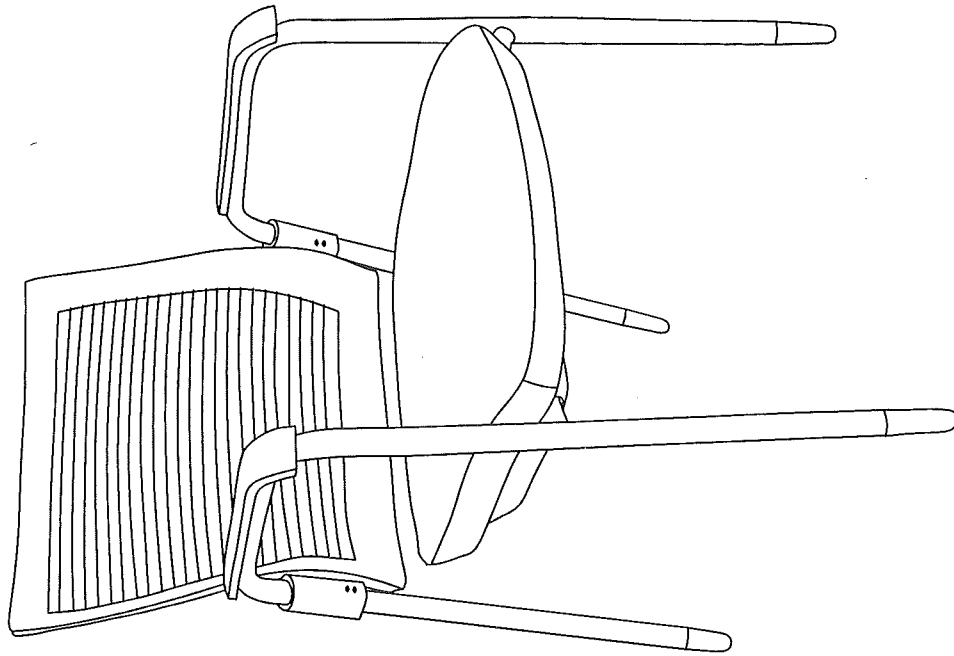


**ASSEMBLY INSTRUCTIONS**  
**MODEL: 3703**



Before assembly, please remove all parts from the carton, verifying that you have the correct quantities, and read all the instructions.



A		2
B		2
C		2
D		2
E		2
F		2
G		2
H		1
I		1

**▲ ATTENTION ▲**

Ensure all bolts and screws are tightened, check bolts and screws every 6 months. If any parts are missing, broken, damaged or worn, stop use of product until repairs have been made using factory authorized parts. Failure to follow these warnings may result in injury.