

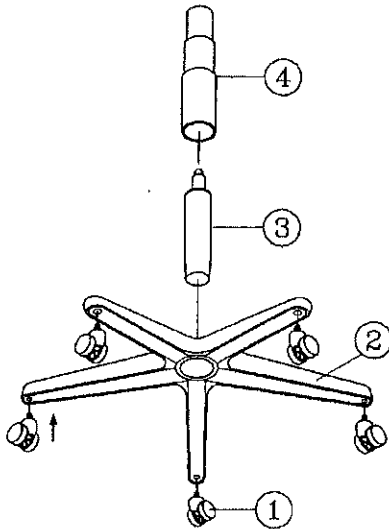
ASSEMBLY INSTRUCTION 4464

Remove all items from the carton . Verify all pieces before assembly.

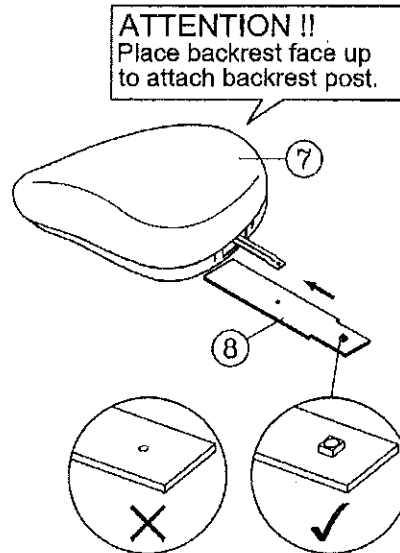
PART LIST

KEY QTY	DESCRIPTION	KEY QTY	DESCRIPTION	KEY QTY	DESCRIPTION	
1	5	Caster	6	1	Seat	
2	1	Base	7	1	Backrest	
3	1	Seat Post	8	1	Backrest Post	
4	1	Seat Post Cover	9	1	Backrest Screw	
5	1	Mechanism	10	1	M5 Size Allen Wrench	
				11	1	Backrest Bolt + Washers
				12	1	M6 Size Allen Wrench
				13	6	Mechanism Screw

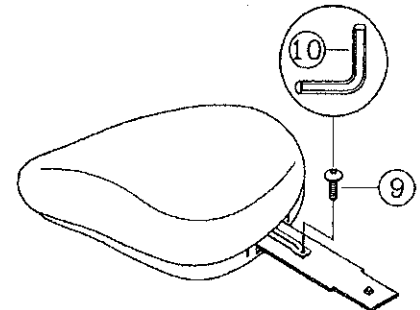
STEP 1.



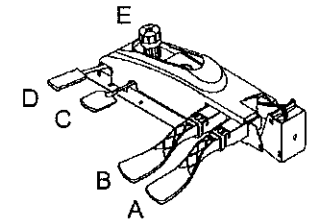
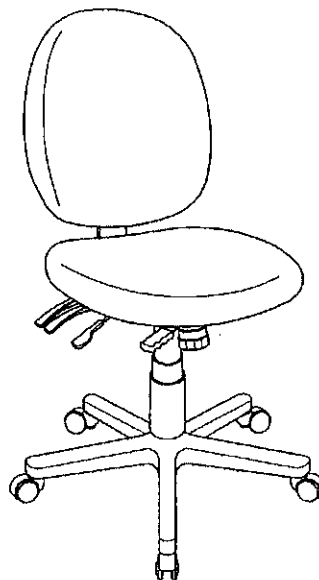
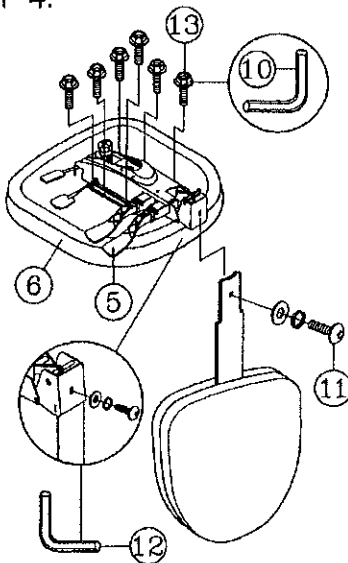
STEP 2.



STEP 3.



STEP 4.



MECHANISM INSTRUCTIONS G :

- (A) Back angle adjustment lever.
- (B) Combination seat / back angle adjustment lever with infinite lock.
- (C) Seat height adjustment lever.
- (D) Forward tilt lever
- *While seated, lift lever B and then lean back to activate locking mechanism;
- *Pull lever D backward to allow seat to tilt forward- or -push lever D forward to straighten seat;
- *To lock in desired position, push lever B downward.
- (E) Tension control knob-Turn clockwise to increase tension and counter-clockwise to decrease tension.

PREVENTIVE MAINTENANCE AND WARNING!

- USE THIS PRODUCT ONLY FOR SEATING ONE PERSON AT A TIME.
- DO NOT USE THIS CHAIR AS A STEP STOOL / LADDER.
- DO NOT SIT ON ANY PART OF THE CHAIR EXCEPT THE SEAT.
- DO NOT USE CHAIR ON UNEVEN FLOOR SURFACES.
- DO NOT USE CHAIR UNLESS ALL BOLTS, SCREWS AND KNOBS ARE TIGHTENED.
- EVERY SIX MONTHS, PLEASE MAKE SURE ALL BOLTS, SCREWS AND KNOBS ARE FULLY TIGHTENED TO ENSURE STABILITY.
- IF ANY PARTS ARE MISSING, BROKEN, DAMAGED OR WORN, STOP USE OF THE PRODUCT UNTIL REPAIRS ARE MADE USING FACTORY AUTHORIZED PARTS.
- DISPOSE OF PACKAGING PROPERLY. PLASTIC BAG IS NOT A TOY. DO NOT USE PLASTIC BAG AS HEAD COVERING - IT MAY CAUSE SUFFOCATION.
- FAILURE TO FOLLOW THESE WARNINGS COULD RESULT IN SERIOUS INJURY.
- NOTE: SOME SCREWS MAY BE PREASSEMBLED. IF PREASSEMBLED, IGNORE ASSEMBLY INSTRUCTIONS.