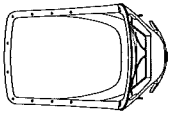
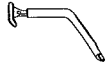

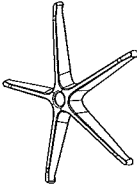






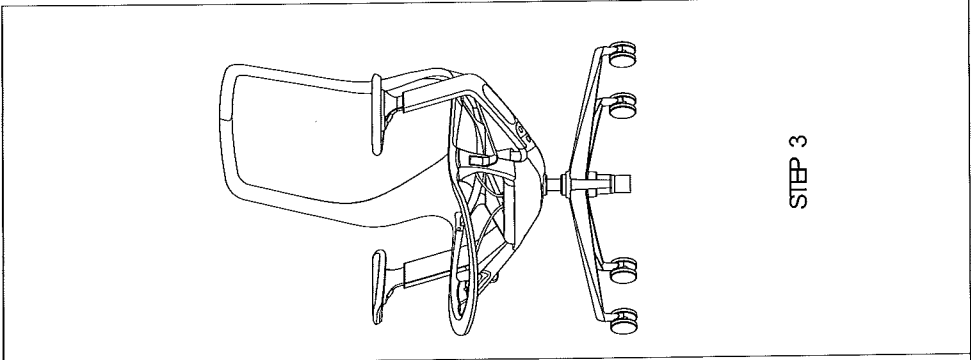
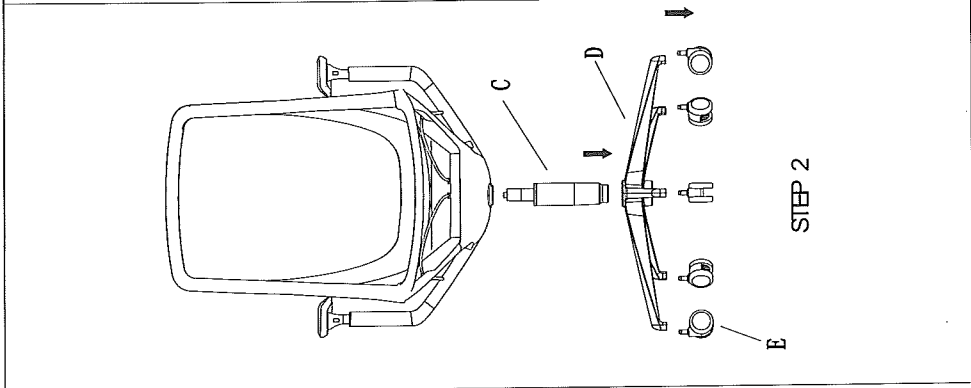
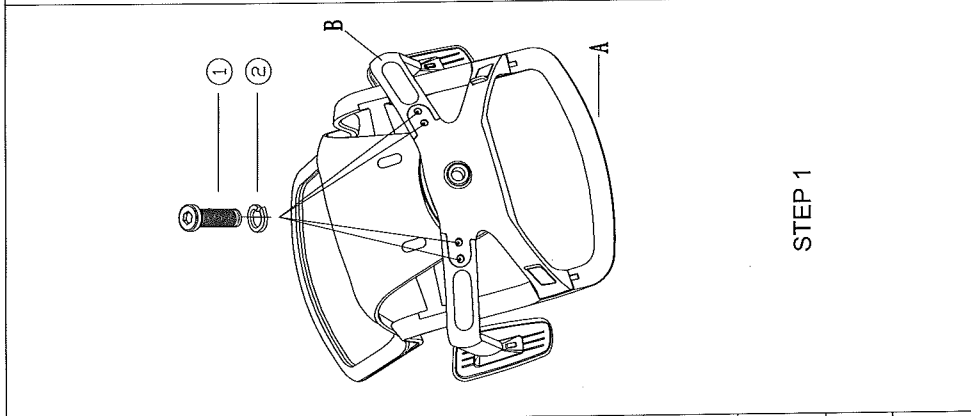


ASSEMBLY INSTRUCTIONS
MODEL: 60714/28001

Before assembly, please remove all parts from the carton, verifying that you have the correct quantities, and read all the instructions.

IN THE CARTON:

A	 1 pcs
B	 1 pcs
C	 1 pcs
D	 1 pcs
E	 5 pcs
①	 M6*20 4 pcs
②	 Ø6*2.0 4 pcs
③	 4mm 1 pcs



▲ ATTENTION ▲

Ensure all bolts and screws are tightened, check bolts and screws every 6 months. If any parts are missing, broken, damaged or worn, stop use of product until repairs have been made using factory authorized parts. Failure to follow these warnings may result in injury.