

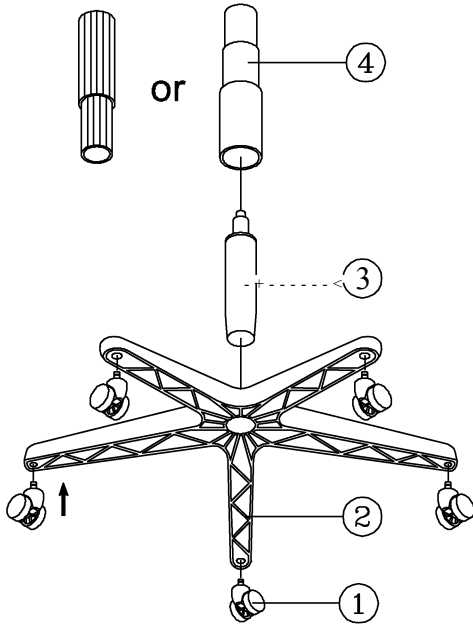
ASSEMBLY INSTRUCTIONS

Remove all items from the carton . Verify all pieces before assembly.

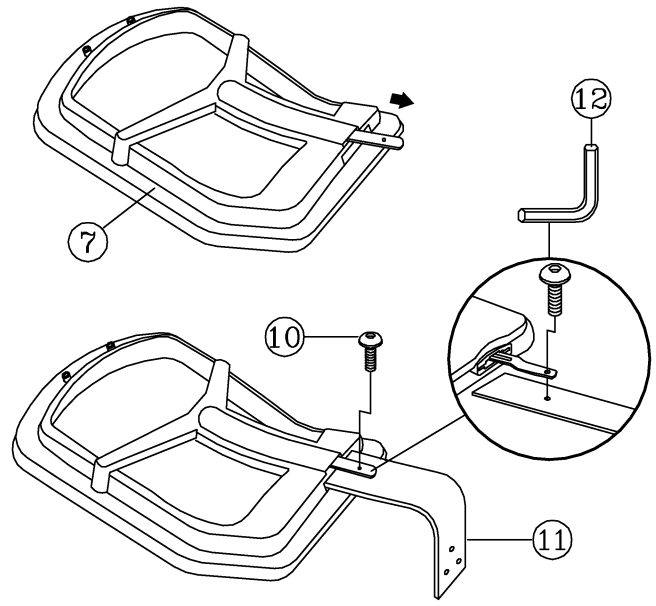
PARTS LIST

KEY	QTY	DESCRIPTION	KEY	QTY	DESCRIPTION	KEY	QTY	DESCRIPTION
1	5	Caster	8	4	Mechanism Screw	14	2	Armrest
2	1	Base	9	3	Mechanism Bracket Screw + Washer	15	2	Arm Width Adjustment Knob + Washers
3	1	Seat Post	10	1	Backrest Screw	16	1	Back Post Bellow
4	1	Seat Post Cover	11	1	Backrest Post	17	2	Back Post Bellow Screw
5	1	Mechanism	12	1	M5 Size Allen Wrench			
6	1	Seat	13	2	Arm Bracket			
7	1	Backrest						

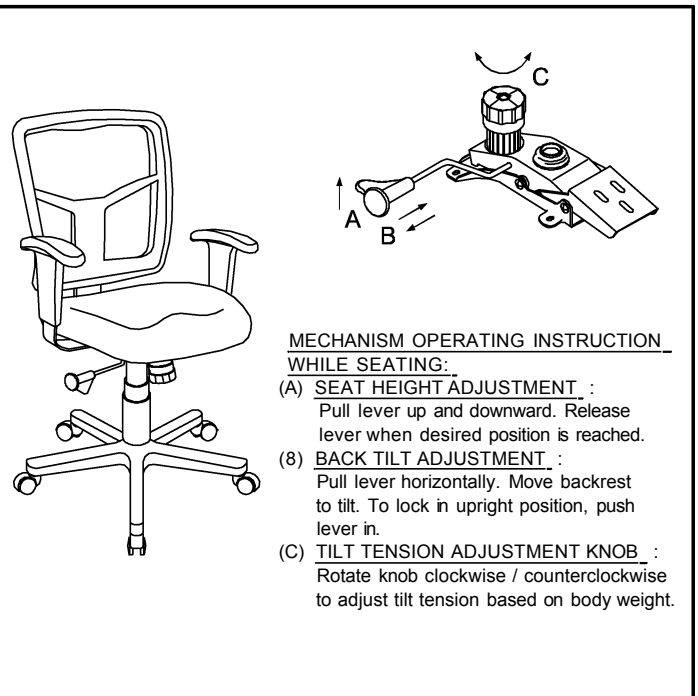
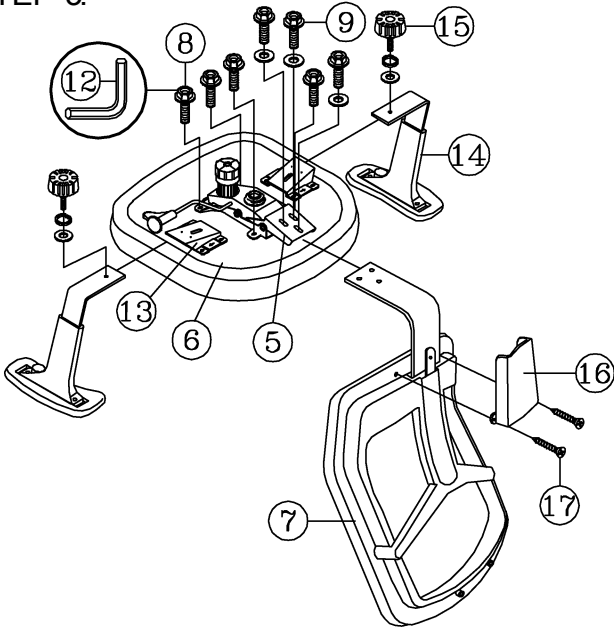
STEP 1.



STEP 2



STEP 3.



MECHANISM OPERATING INSTRUCTION WHILE SEATING:

- (A) **SEAT HEIGHT ADJUSTMENT** : Pull lever up and downward. Release lever when desired position is reached.
- (B) **BACK TILT ADJUSTMENT** : Pull lever horizontally. Move backrest to tilt. To lock in upright position, push lever in.
- (C) **TILT TENSION ADJUSTMENT KNOB** : Rotate knob clockwise / counterclockwise to adjust tilt tension based on body weight.

PREVENTIVE MAINTENANCE AND WARNING!

- USE THIS PRODUCT ONLY FOR SEATING ONE PERSON AT A TIME.
- DO NOT USE THIS CHAIR AS A STEP STOOL / LADDER.
- DO NOT SIT ON ANY PART OF THE CHAIR EXCEPT THE SEAT.
- DO NOT USE CHAIR ON UNEVEN FLOOR SURFACES.
- DO NOT USE CHAIR UNLESS ALL BOLTS, SCREWS AND KNOBS ARE TIGHTENED.
- EVERY SIX MONTHS, PLEASE MAKE SURE ALL BOLTS, SCREWS AND KNOBS ARE FULLY TIGHTENED TO ENSURE STABILITY.
- IF ANY PARTS ARE MISSING, BROKEN, DAMAGED OR WORN, STOP USE OF THE PRODUCT UNTIL REPAIRS ARE MADE USING FACTORY AUTHORIZED PARTS.
- DISPOSE OF PACKAGING PROPERLY. PLASTIC BAG IS NOT A TOY. DO NOT USE PLASTIC BAG AS HEAD COVERING - IT MAY CAUSE SUFFOCATION.
- FAILURE TO FOLLOW THESE WARNINGS COULD RESULT IN SERIOUS INJURY.
- NOTE: SOME SCREWS MAY BE PREASSEMBLED. IF PREASSEMBLED, IGNORE ASSEMBLY INSTRUCTIONS.

7621A . 7621 W / ARM . 7621ACMSBLACK