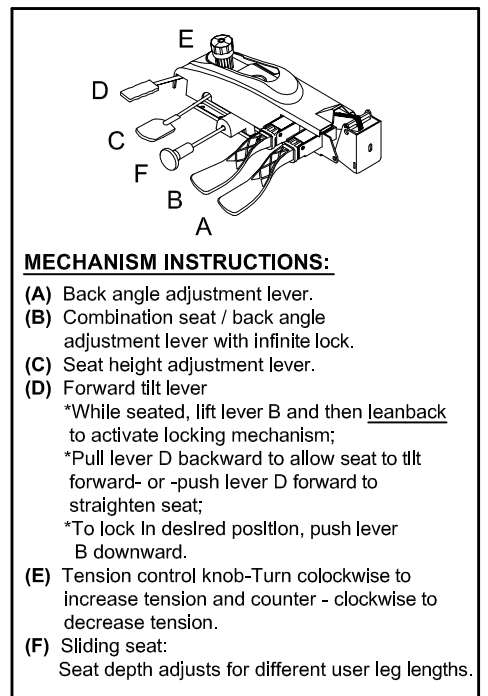
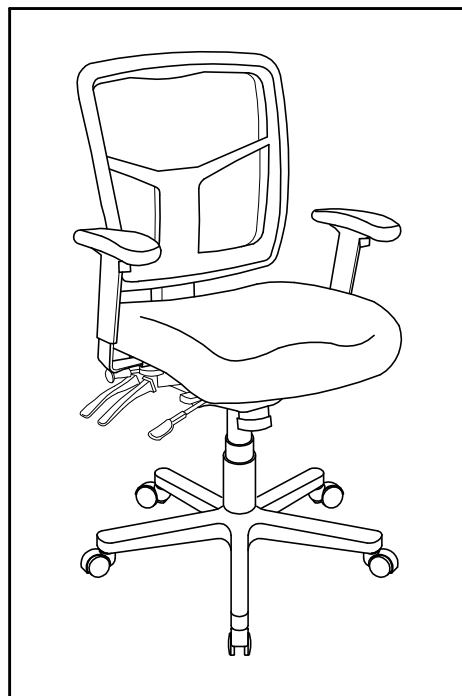
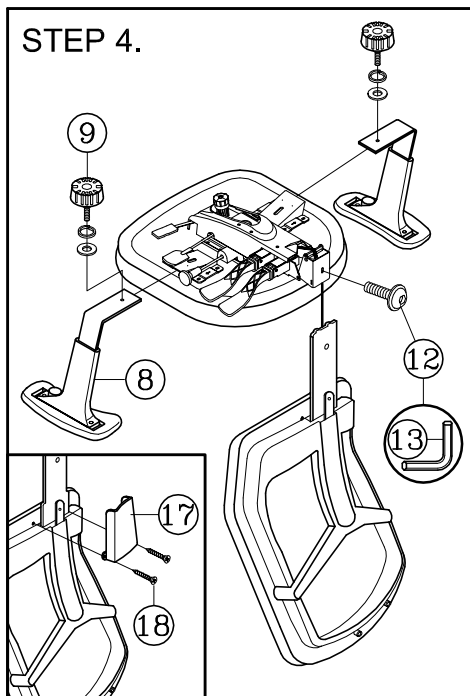
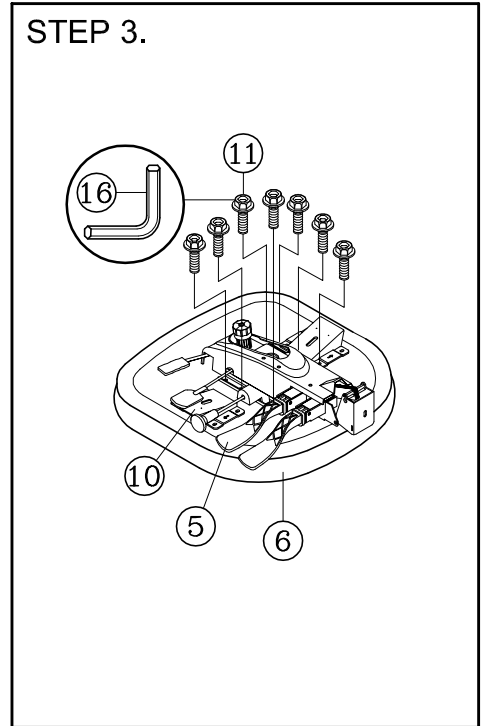
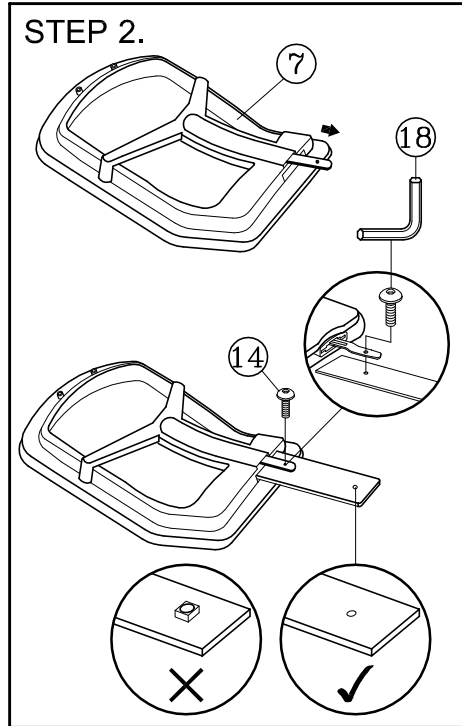
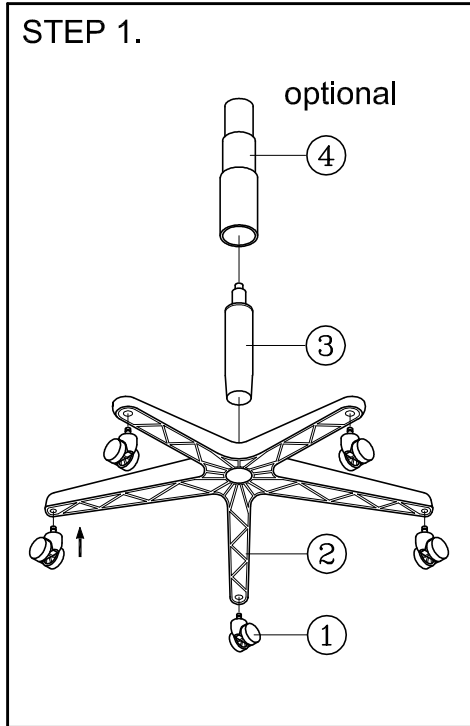


ASSEMBLY INSTRUCTIONS

Remove all items from the carton . Verify all pieces before assembly.

PARTS LIST

KEY QTY	DESCRIPTION	KEY QTY	DESCRIPTION	KEY QTY	DESCRIPTION
1	5 Caster	8	2 Armrest	14	1 Back Post Screw
2	1 Base	9	2 Arm Width Adjustment Knob + Washers	15	1 Back Post
3	1 Seat Post	10	2 Arm Bracket	16	1 M5 Size Allen Wrench
4	1 Seat Post Cover(optional)	11	6 Mechanism Screw	17	1 Back Post Bellow
5	1 Mechanism	12	1 Backrest Tight Bolt	18	2 Back Post Bellow Screw
6	1 Seat	13	1 M6 Size Allen Wrench		
7	1 Backrest				



PREVENTIVE MAINTENANCE AND WARNING!

- USE THIS PRODUCT ONLY FOR SEATING ONE PERSON AT A TIME.
- DO NOT USE THIS CHAIR AS A STEP STOOL / LADDER.
- DO NOT SIT ON ANY PART OF THE CHAIR EXCEPT THE SEAT.
- DO NOT USE CHAIR ON UNEVEN FLOOR SURFACES.
- DO NOT USE CHAIR UNLESS ALL BOLTS, SCREWS AND KNOBS ARE TIGHTENED.
- EVERY SIX MONTHS, PLEASE MAKE SURE ALL BOLTS, SCREWS AND KNOBS ARE FULLY TIGHTENED TO ENSURE STABILITY.
- IF ANY PARTS ARE MISSING, BROKEN, DAMAGED OR WORN, STOP USE OF THE PRODUCT UNTIL REPAIRS ARE MADE USING FACTORY AUTHORIZED PARTS.
- DISPOSE OF PACKAGING PROPERLY. PLASTIC BAG IS NOT A TOY. DO NOT USE PLASTIC BAG AS HEAD COVERING - IT MAY CAUSE SUFFOCATION.
- FAILURE TO FOLLOW THESE WARNINGS COULD RESULT IN SERIOUS INJURY.
- NOTE: SOME SCREWS MAY BE PREASSEMBLED. IF PREASSEMBLED, IGNORE ASSEMBLY INSTRUCTIONS.

7754S / A7754S / A7754ST