

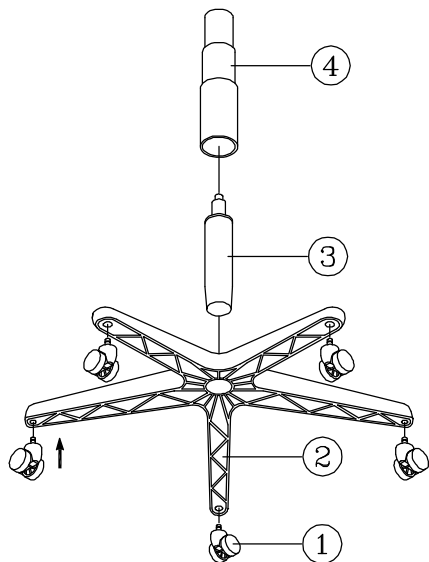
ASSEMBLY INSTRUCTIONS

Remove all items from the carton. Verify all pieces before assembly.

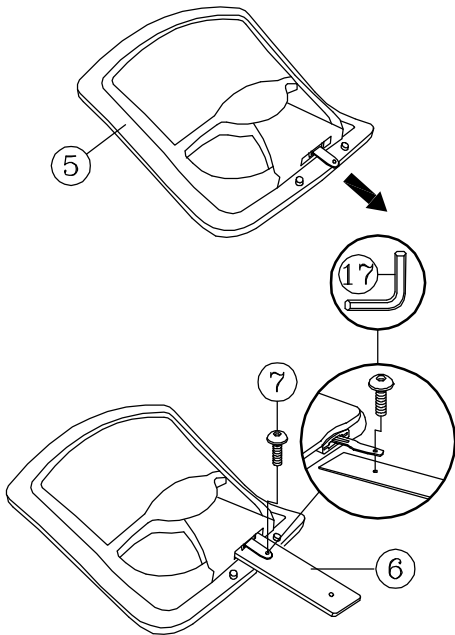
PARTS LIST

KEY QTY	DESCRIPTION	KEY QTY	DESCRIPTION	KEY QTY	DESCRIPTION	
1	5	Caster	8	1	Seat	
2	1	Base	9	1	Mechanism	
3	1	Seat Post	10	6	Mechanism Screw	
4	1	Seat Post Cover	11	2	Arm Bracket	
5	1	Backrest	12	2	Armrest	
6	1	Backrest Post	13	1	Arm Width Adjustment Knob + Washers	
7	1	Backrest Post Screw				
				14	1	Back Tight Bolt
				15	1	Back Post Bellow
				16	2	Back Post Bellow Screw
				17	1	M5 Size Allen Wrench
				18	1	M6 Size Allen Wrench

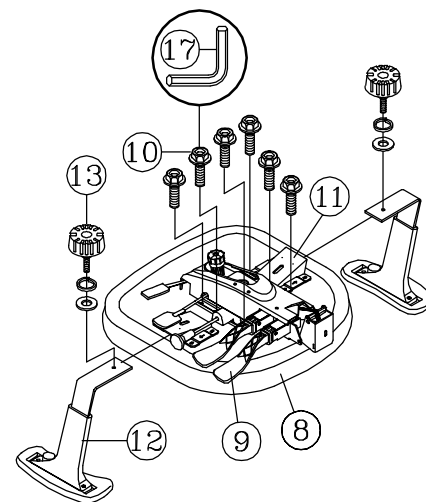
STEP 1.



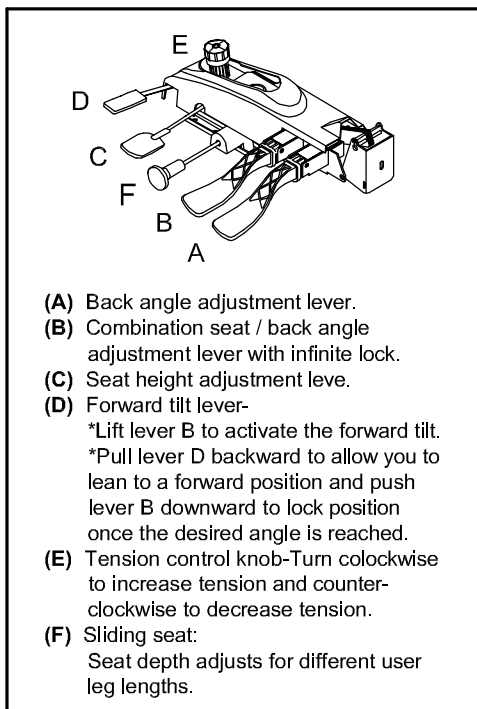
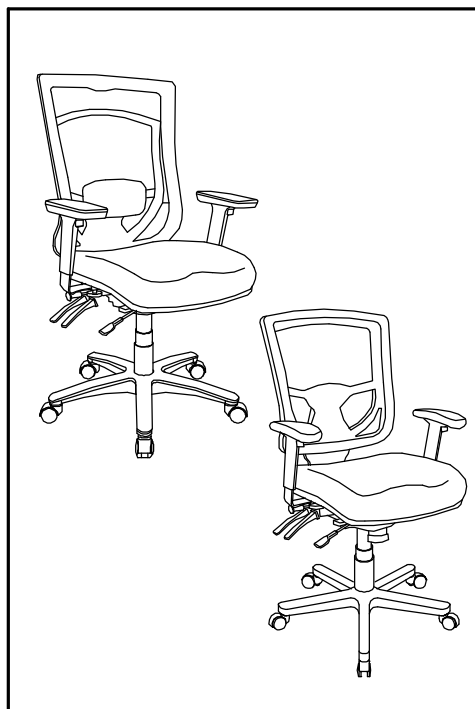
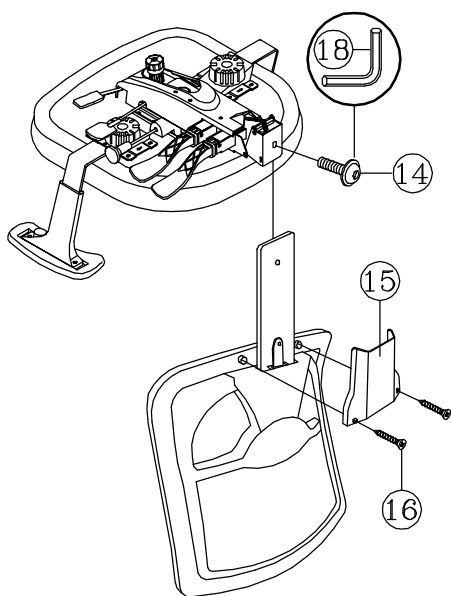
STEP 2.



STEP 3.



STEP 4.



PREVENTIVE MAINTENANCE AND WARNING!

- USE THIS PRODUCT ONLY FOR SEATING ONE PERSON AT A TIME.
- DO NOT USE THIS CHAIR AS A STEP STOOL / LADDER.
- DO NOT SIT ON ANY PART OF THE CHAIR EXCEPT THE SEAT.
- DO NOT USE CHAIR ON UNEVEN FLOOR SURFACES.
- DO NOT USE CHAIR UNLESS ALL BOLTS, SCREWS AND KNOBS ARE TIGHTENED.
- EVERY SIX MONTHS, PLEASE MAKE SURE ALL BOLTS, SCREWS AND KNOBS ARE FULLY TIGHTENED TO ENSURE STABILITY.
- IF ANY PARTS ARE MISSING, BROKEN, DAMAGED OR WORN, STOP USE OF THE PRODUCT UNTIL REPAIRS ARE MADE USING FACTORY AUTHORIZED PARTS.
- DISPOSE OF PACKAGING PROPERLY. PLASTIC BAG IS NOT A TOY. DO NOT USE PLASTIC BAG AS HEAD COVERING - IT MAY CAUSE SUFFOCATION.
- FAILURE TO FOLLOW THESE WARNINGS COULD RESULT IN SERIOUS INJURY.
- NOTE:SOME SCREWS MAY BE PREASSEMBLED. IF PREASSEMBLED, IGNORE ASSEMBLY INSTRUCTIONS.

8014S / 8054S