



PERFORMANCE

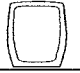
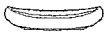
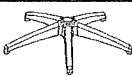
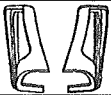
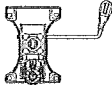
"Functional seating for today's workplace"

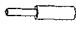

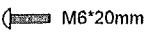
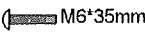

MODEL#822-A1

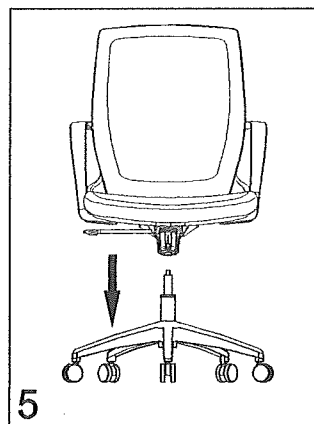
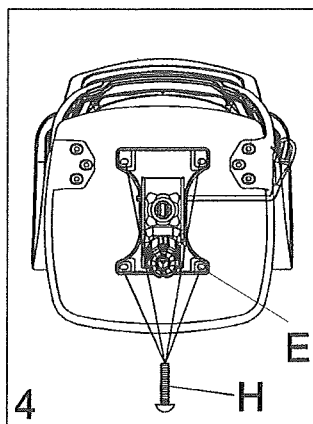
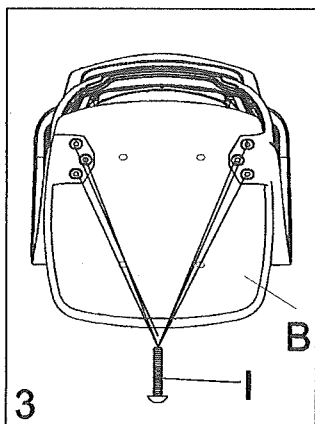
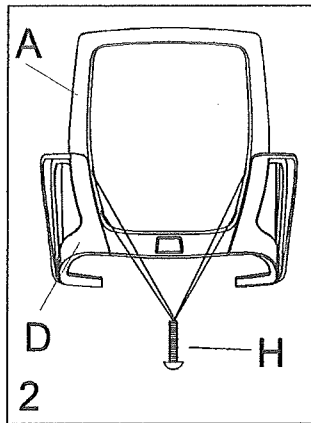
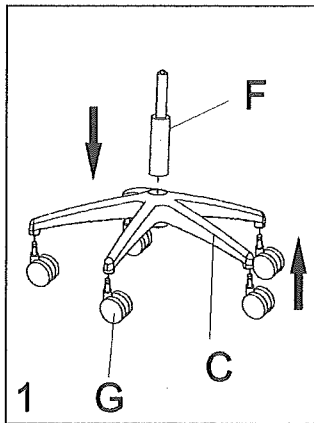
ASSEMBLY INSTRUCTIONS

THANK YOU FOR PURCHASING THIS DESIGNER MESH CHAIR FROM PERFORMANCE OFFICE FURNISHINGS.

BEFORE ASSEMBLY, PLEASE REMOVE ALL PARTS FROM THE CARTON AND VERIFY THAT YOU HAVE CORRECT QUANTITIES.

A		1
B		1
C		1
D		1
E		1

F		1
G		5
H	 M6*20mm	8
I	 M6*35mm	6
J		1



PREVENTIVE MAINTENANCE AND WARNING

- USE THIS PRODUCT ONLY FOR SEATING ONE PERSON AT A TIME
- DO NOT USE CHAIR AS STEP STOOL/LADDER.
- DO NOT USE CHAIR UNLESS ALL BOLTS, SCREWS ARE TIGHT. AT LEAST EVERY SIX MONTHS, CHECK ALL BOLTS, SCREWS TO BE SURE THEY ARE TIGHT.
- IF ANY PARTS ARE MISSING, BROKEN, DAMAGED OR WORN, STOP USE OF THE PRODUCT UNTIL REPAIRS ARE MADE USING FACTORY AUTHORIZED PARTS.
- FAILURE TO FOLLOW THESE WARNINGS CAN RESULT IN SERIOUS INJURY.