

# FLIP TOP - PBF48 . 60 & 72



# ASSEMBLY INSTRUCTIONS

## PARTS LIST

Remove all items from the carton. Verify all pieces before assembly.

KEY	QTY	DESCRIPTION
1	1	Table (Sold Separately)
2	1	Steel Frame
3	8	Table Screw ( for model #PBF60 & 72 )
	6	Table Screw ( for model # PBF48 )
4	2	Leg ( L & R )
5	4	Frame Screw + Washer
6	4	Caster
7	2	Lever
8	1	Allen Wrench
9	1	Template

### ATTENTION

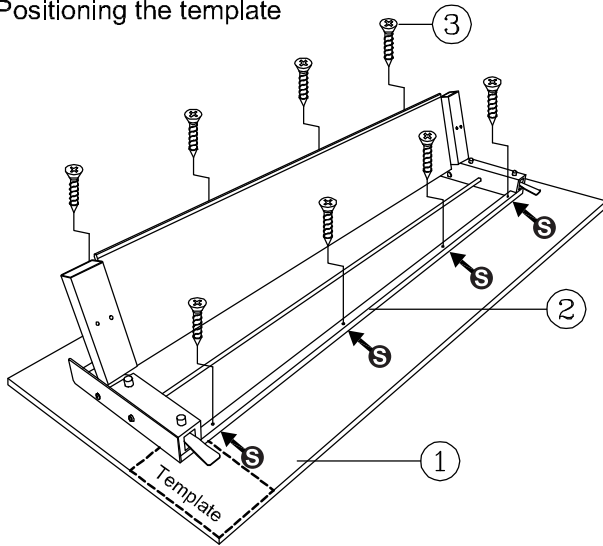
1. THIS STEEL FRAME IS CONSTRUCTED / RECOMMENDED FOR USE WITH 24" D TOPS ONLY.
2. REMOVE ALL ITEMS FROM THE CARTON. VERIFY ALL PIECES BEFORE ASSEMBLY.

### PREVENTIVE MAINTENANCE AND WARNING!

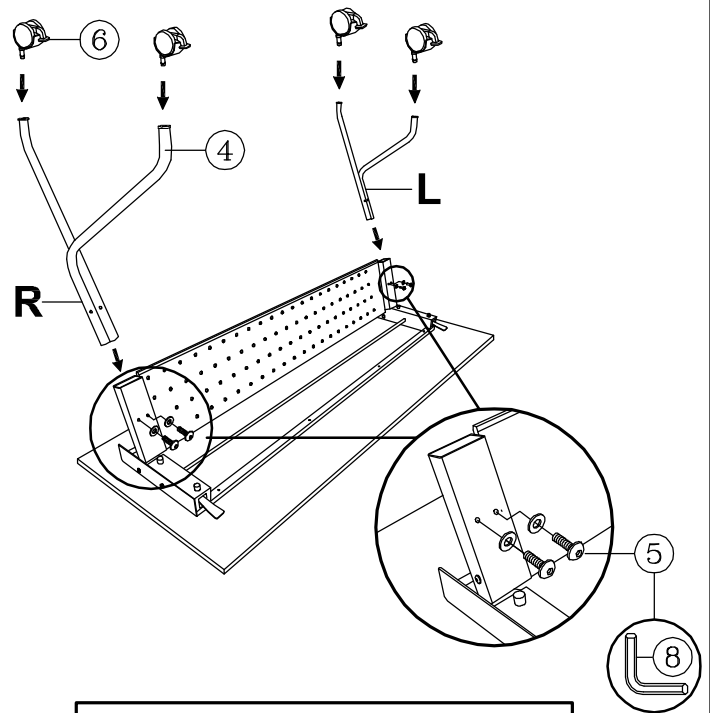
- IF ANY PARTS ARE MISSING, BROKEN, DAMAGED OR WORN, STOP USE OF THE PRODUCT UNTIL REPAIRS ARE MADE USING FACTORY AUTHORIZED PARTS.
- DISPOSE OF PACKAGING PROPERLY.
- FAILURE TO FOLLOW THESE WARNINGS COULD RESULT IN SERIOUS INJURY.
- EVERY SIX MONTHS, PLEASE MAKE SURE ALL BOLTS, SCREWS AND KNOBS ARE FULLY TIGHTENED TO ENSURE STABILITY.

## STEP 1.

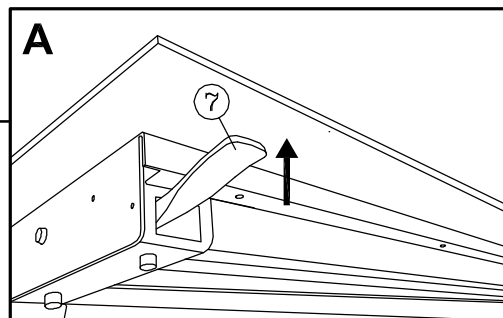
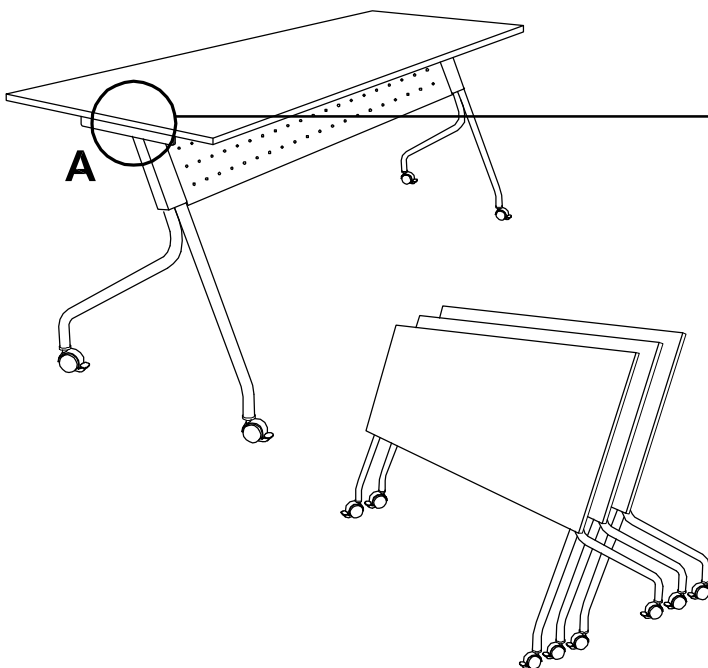
Positioning the template



## STEP 2.



## STEP 3.



- A : Flip top up - Lift lever upward to release locking mechanism and lift the top up.  
 Flip top down - Lift lever upward to release locking mechanism and push the top down.

★ Use caution when using initially. Check all screws to be sure they are securely tightened.

After completion of assembly, if table top needs levelling, add spacers (washers - not included) here between metal base and table top.