

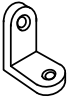





# ASSEMBLY INSTRUCTIONS

## MODEL: PB-TR71-A2

Before assembly, please remove all parts from the carton, verifying that you have the correct quantities, and read all the instructions.

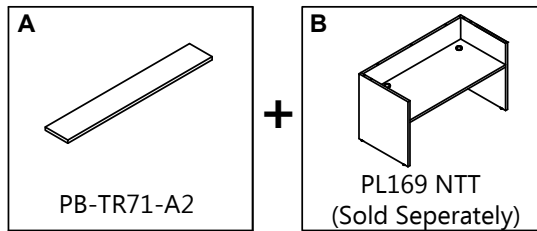
### IN THE CARTON:

#### HARDWARE

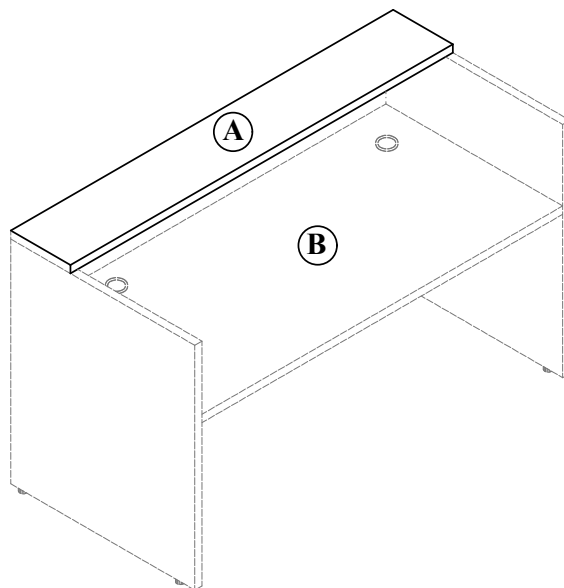
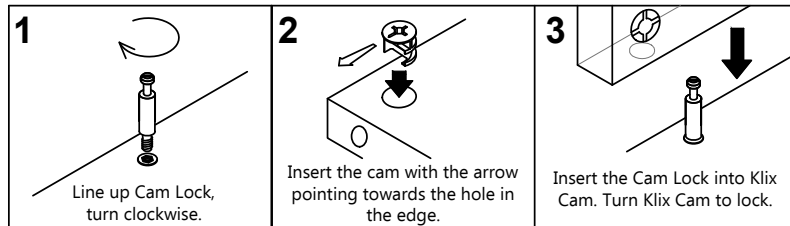
<b>1</b>  L-Bracket With 2 Holes 4 Pcs	<b>2</b>  Screw #6 x 5/8" 8 Pcs	<b>3</b>  Cam Lock 5 Pcs	<b>4</b>  Klix Cam 5 Pcs	<b>5</b>  Housing Cap(Long) 2 Pcs	<b>6</b>  Housing Cap(Short) 3 Pcs
---	--	--	--	--	---

PACK WIT PL169NTT

#### COMPONENTS

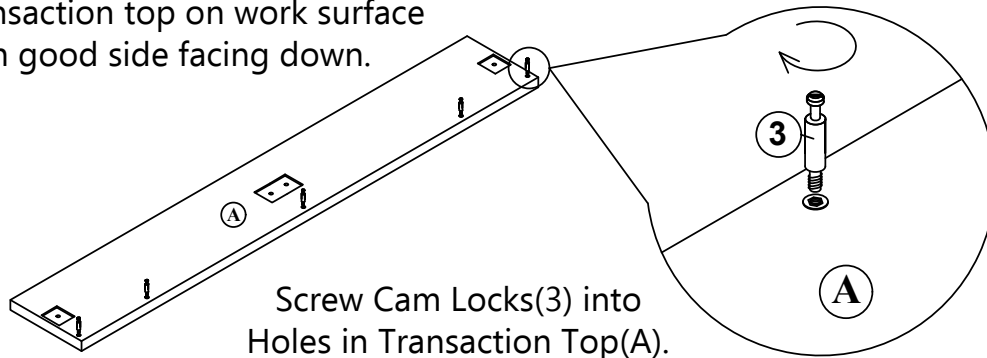


#### KLIX CAM INSTRUCTIONS



**INSTRUCTIONS:**

- 1** Lay transaction top on work surface with good side facing down.



- 2** Attach Top Panel(A) to desk by using Cam Lock(3) and Klix Cam(4).
- 
- Insert the Cam Lock(3) into Klix Cam(4). Turn Klix Cam to lock.

- 3** Attach Housing Caps to all Klix Cams by pushing neck of cap through center of cam.
- 

- 4** Attach L-Bracket(1) to Side Panel(B) and Top(A) as shown. Tighten Screws(2) securely.
- 

**⚠ ATTENTION ⚠**

Place all wooden parts on a clean, smooth surface to prevent them from being scratched. Check to be sure that you have all parts and hardware. Remove all wrapping materials, including staples and packing straps before you start to assemble. Do not tighten all screws/bolts until all completely assembled. Keep all hardware parts out of reach of children. If any parts are missing, broken, damaged or worn, stop use of product until repairs have been made using factory authorized parts. Failure to follow these warnings may result in injury.