


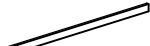
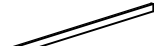




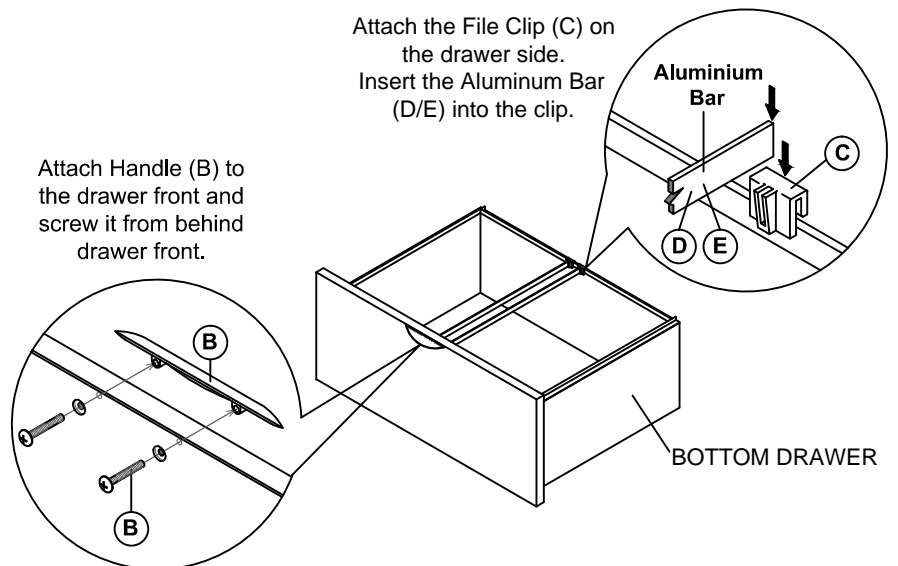
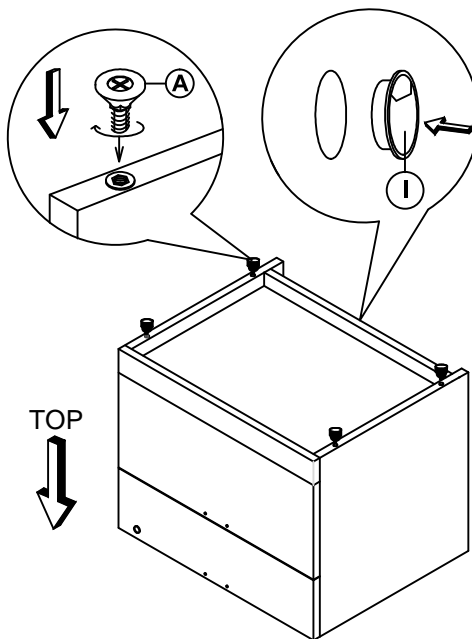
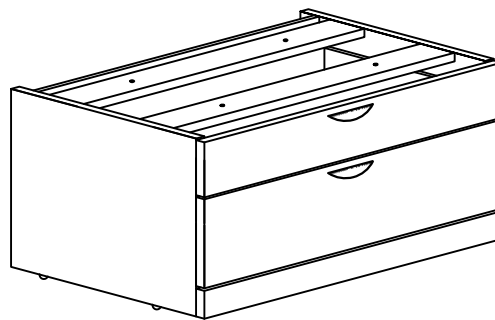


Thank you for purchasing the Performance LATERAL B/F CABINET W/O TOP.
Please follow these instructions for easy assembly.

| | | | | |
|---|--|--|--|--|
| <p>A</p>  <p>Adjustable Glide 4 Pcs</p> | <p>B</p>  <p>Metal Scallop Shape Handle 2 Sets</p> | <p>C</p>  <p>File Clip 4 Pcs</p> | <p>D</p>  <p>790 x 16 x 3mm Aluminum Bar 1 Pc</p> | <p>E</p>  <p>377 x 16 x 3mm Aluminum Bar 2 Pcs</p> |
| <p>F</p>  <p>Keys 1 Set</p> | <p>G</p>  <p>M4 x 64mm Allen Key 1 Pc</p> | <p>H</p>  <p>JCBC Screw M6 x 40mm = 4pcs 1/4 Washer = 8pcs</p> | <p>I</p>  <p>Wire Cap 1 Pc</p> | |



IMPORTANT !!

- Place all wooden parts on a clean and smooth surface such as a rug or carpet to avoid the parts from being scratched.
- Check that you have all parts and hardware.
- Remove all wrapping materials, including staples & packing straps before you start to assemble.
- Do not tighten any screws or bolts until the unit is completely assembled.
- Keep all hardware parts out of reach of children.