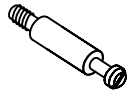



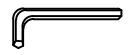


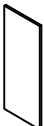
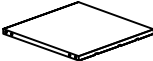

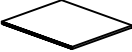
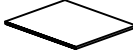
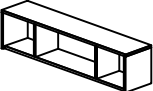


HARDWARE

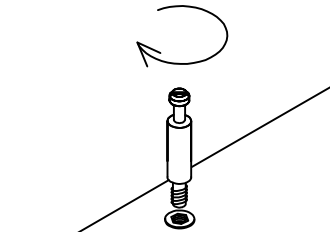
1  Cam Lock 16 Pcs	2  Klix Cam 16 Pcs	3  Housing Cap 12 Pcs	4  Housing Cap 4 Pcs	5  Allen Key 1 Pc
--	--	---	---	---

COMPONENTS

A  Side Panel Big	B  Side Panel Small	C  Back Panel	D  Fixed Shelf	E  Bottom Panel	F  Adj. Shelf Small x 3pcs	G  Adj. Shelf Big x 4pcs	H  PL 1044 OH (SOLD SEPERATELY)
--	--	--	---	--	--	--	---

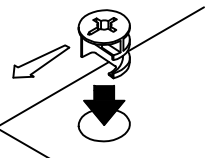
KLIX CAM INSTRUCTIONS

1



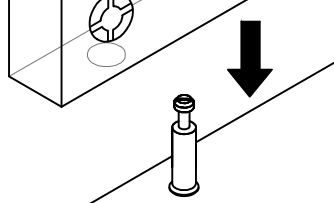
Line up Cam Lock,
turn clockwise.

2

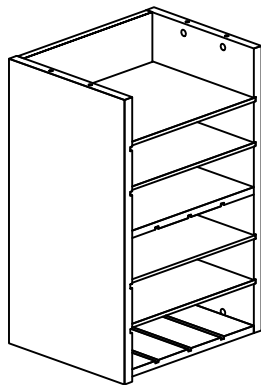


Insert the cam with the arrow
pointing towards the hole in the
edge.

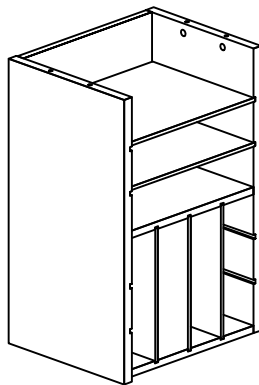
3



Insert the Cam Lock into Klix
Cam. Turn Klix Cam to lock.



LEFT



RIGHT

IMPORTANT :

- Place all wooden parts on a clean, smooth surface to prevent the parts from being scratched.
- Check that you have all parts and hardware.
- Remove all wrapping materials, including staples & packing straps before you start to assemble.
- Do not tighten any screws or bolts until the unit is completely assembled.
- Keep all hardware parts out of reach of children.

1

Attach Bottom Panel(E), Fixed Shelf(D), Back Panel(C) to Side Panel Small(B) by using Cam Lock(1) and Klix Cam(2).

2

Attach Side Panel Big(A), to assembled panel using Cam Lock(1) and Klix Cam(2).

3

Attach Adjust shelf Small(F) and Adjust Shelf Big(G) to assembled panel.

4

Attach Housing Cap(3)or(4) to all Klix Cams(2) by pushing neck through center of cam.

5

Attach PL 1044OH(H) to PL1022 by using Cam Lock(1) and Klix Cam(2).