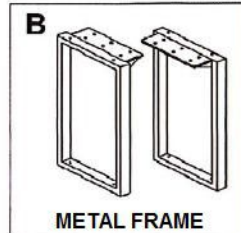
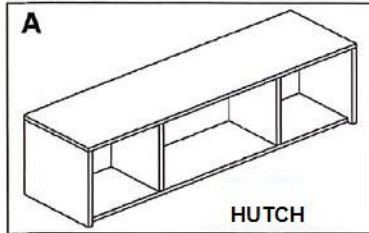




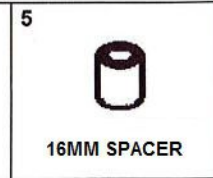
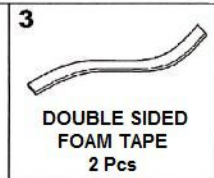
MOUNTING INSTRUCTIONS FOR OPEN HUTCH (PL1044)

Option 1 below is for mounting the hutch above the desktop (as upper storage).
Option 2 on the next page is for mounting the hutch directly on the desktop (as a return/divider).

COMPONENTS:

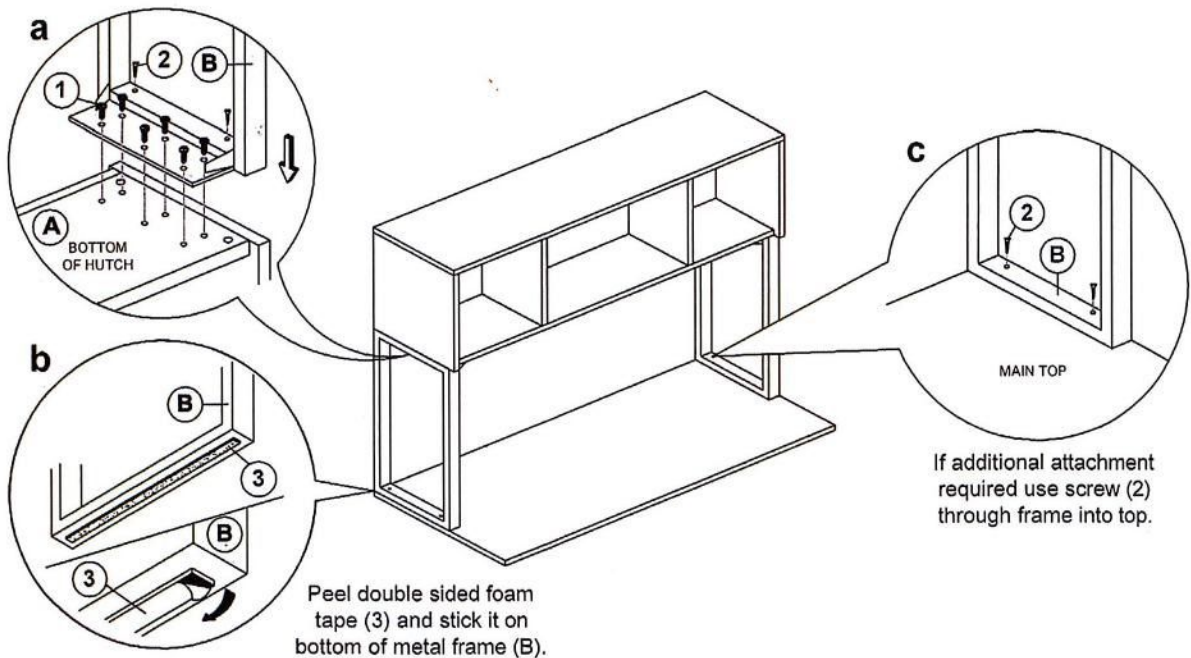


HARDWARE:



Sold separately for return/divider option

OPTION 1

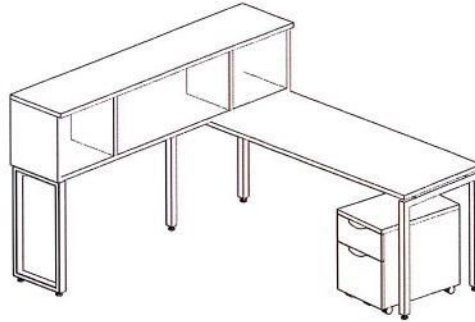


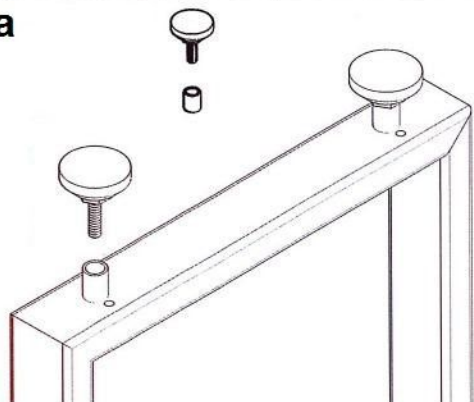
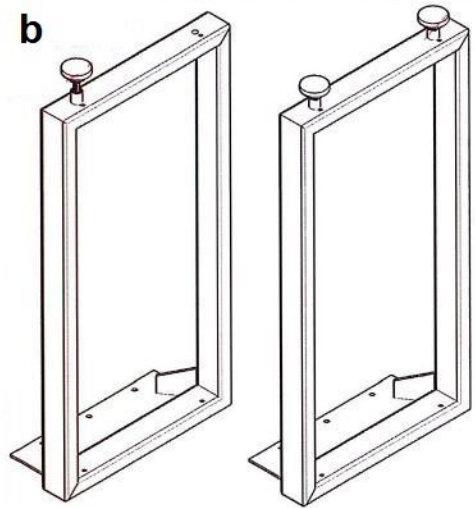
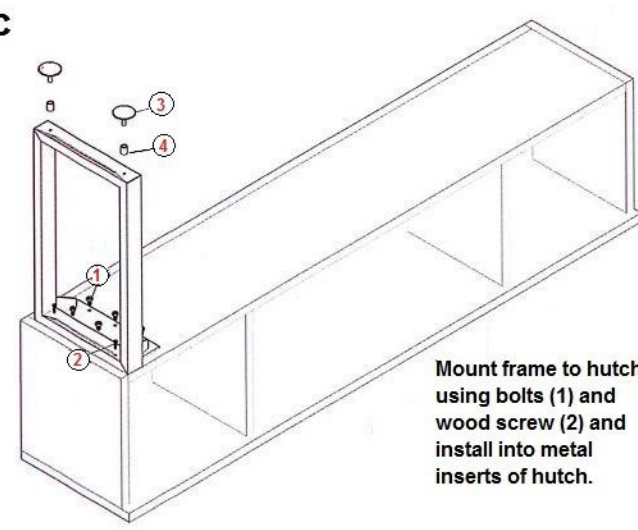
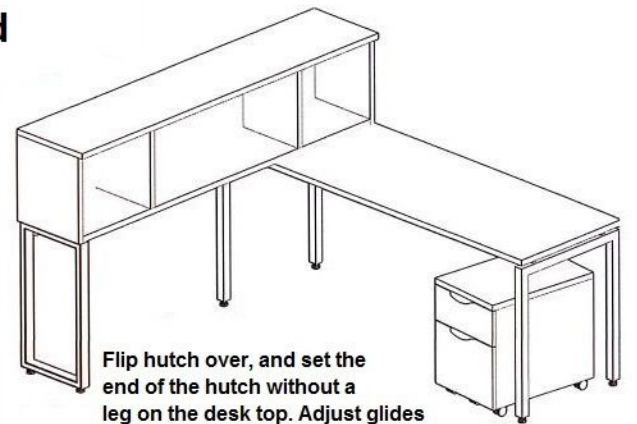
IMPORTANT

- Place all wooden parts on a clean and smooth surface such as a rug or carpet to avoid the parts from being scratched.
- Check that you have all parts and hardware.
- Remove all wrapping materials, including staples & packing straps before you start to assemble.
- Do not tighten any screws or bolts until the unit is completely assembled.
- Keep all hardware parts out of reach of children.



OPTION 2



<p>a</p>  <p>Place plastic spacer (5) over threaded insert on bottom of metal frame (B).</p>	<p>b</p>  <p>Thread glide through spacer and into metal frame.</p>
<p>c</p>  <p>Mount frame to hutch using bolts (1) and wood screw (2) and install into metal inserts of hutch.</p>	<p>d</p>  <p>Flip hutch over, and set the end of the hutch without a leg on the desk top. Adjust glides on metal leg so the hutch is level. Attach the hutch to the desktop with supplied double-sided tape.</p>