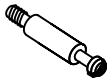








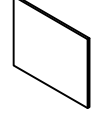

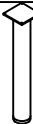


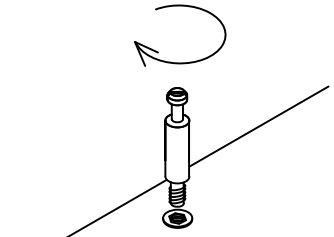
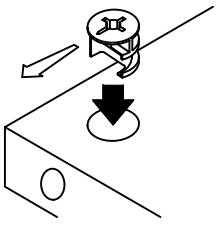
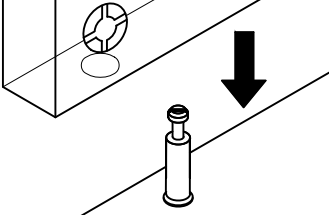
HARDWARE:

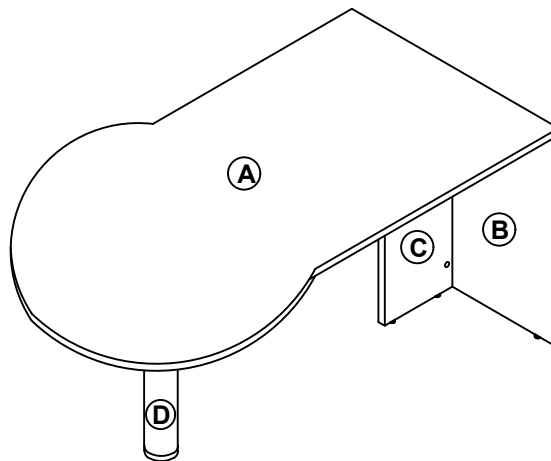
1  Cam Lock 6 Pcs	2  Klix Cam 6 Pcs	3  Housing Cap 6 Pcs	4  Adjustable Glide 3 Pcs	5  6 Hole L-Bracket 3 Pcs	6  Screw #6 x 3/8" 18 Pcs	7  JCBC M6 x 15mm 4 Pcs	8  M4 x 65 Allen-Key 1 Pc
---	---	--	---	---	---	--	--

COMPONENTS:

A  Top Panel	B  Side Panel	C  Side Center Panel	D  Metal Leg (SOLD SEPARATELY)
---	--	---	--

KLIX CAM INSTRUCTIONS

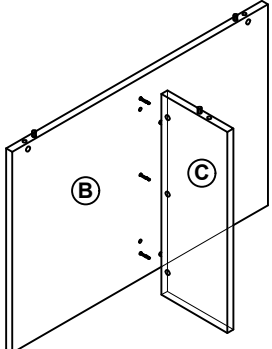
1  Line up Cam Lock, turn clockwise.	2  Insert the cam with the arrow pointing towards the hole in the edge.	3  Insert the Cam Lock into Klix Cam. Turn Klix Cam to lock.
---	---	---



IMPORTANT :

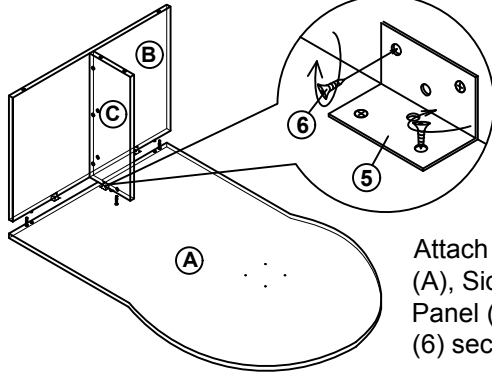
- Place all wooden parts on a clean, smooth surface to prevent the parts from being scratched.
- Check that you have all parts and hardware.
- Remove all wrapping materials, including staples & packing straps before you start to assemble.
- Do not tighten any screws or bolts until the unit is completely assembled.
- Keep all hardware parts out of reach of children.
- Please ensure that at least 4 of 12 screws that mount the cleat to the wall, are screwed into wall studs.

1



Attach the Side Center Panel (C) to Side Panel (B) by using Cam Lock (1) and Klix Cam (2).

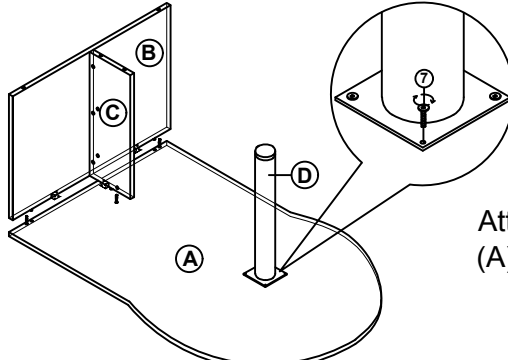
2



Attach the Side Center Panel (C) and Side Panel (B) to Top Panel (A) by using Cam Lock (1) and Klix Cam (2).

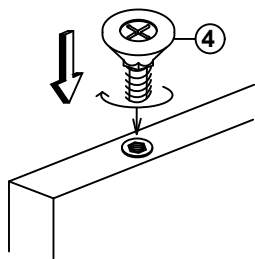
Attach the L-Brackets (5) to Top Panel (A), Side Panel (B) and Side Center Panel (C) as shown. Tighten Screws (6) securely.

3



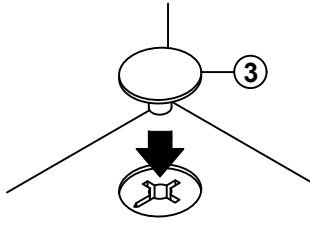
Attach the Metal Leg (D) to Top Panel (A) with JCBC Bolts (7).

4



Screw Adjustable Glide (4) into bottom of Side Panel (B) and Side Center Panel (C).

5



Attach Housing Cap (3) to all Klix Cam (2) by pushing neck through center of cam.