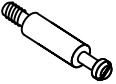








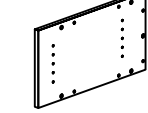
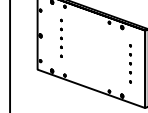
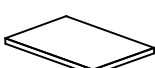
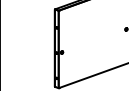




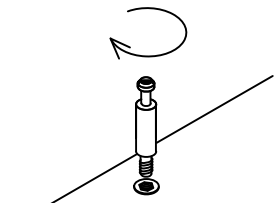
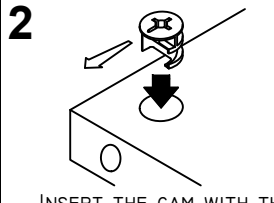
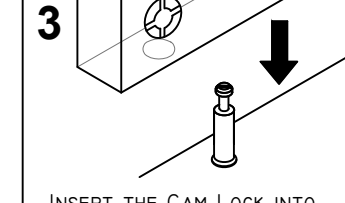
HARDWARE

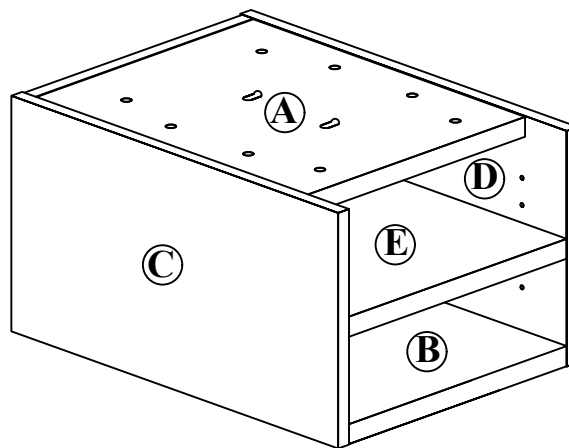
1  CAM LOCK 10 Pcs	2  KLIX CAM 10 Pcs	3  HOUSING CAP (LONG) 8 Pcs	4  HOUSING CAP (SHORT) 2 Pcs	5  SCREW M6 x 40MM 4 Pcs	6  WASHER 4 Pcs	7  M4 x 65 ALLEN-KEY 1 PC
--------------------------------------------------------------------------------------------------------------	--------------------------------------------------------------------------------------------------------------	--------------------------------------------------------------------------------------------------------------------------	---------------------------------------------------------------------------------------------------------------------------	------------------------------------------------------------------------------------------------------------------------	-------------------------------------------------------------------------------------------------------------	--------------------------------------------------------------------------------------------------------------------------

COMPONENTS

A  FIXED SHELF	B  BOTTOM PANEL	C  SIDE PANEL L	D  SIDE PANEL R	E  ADJUST SHELF	F  BACK PANEL	G  PL166 (SOLD SEPARATELY)	H  PLT TOP (SOLD SEPARATELY)
------------------------------------------------------------------------------------------------------	--------------------------------------------------------------------------------------------------------	--------------------------------------------------------------------------------------------------------	--------------------------------------------------------------------------------------------------------	--------------------------------------------------------------------------------------------------------	-------------------------------------------------------------------------------------------------------	------------------------------------------------------------------------------------------------------------------------	--------------------------------------------------------------------------------------------------------------------------

KLIX CAM INSTRUCTIONS

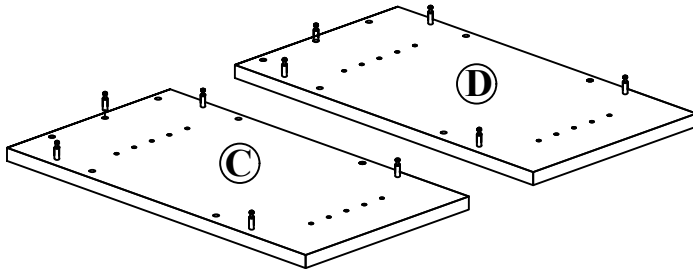
1  LINE UP CAM LOCK, TURN CLOCKWISE.	2  INSERT THE CAM WITH THE ARROW POINTING TOWARDS THE HOLE IN THE EDGE.	3  INSERT THE CAM LOCK INTO KLIX CAM. TURN KLIX CAM TO LOCK.
---------------------------------------------------------------------------------------------------------------------------------	-----------------------------------------------------------------------------------------------------------------------------------------------------------------------	-------------------------------------------------------------------------------------------------------------------------------------------------------------



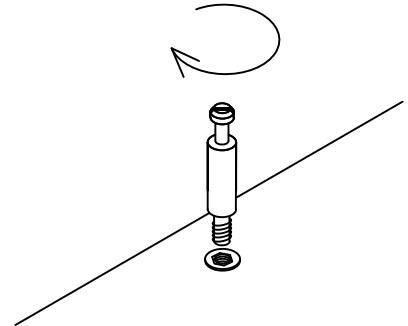
IMPORTANT NOTE :

- Place all wooden parts on a clean, smooth surface to prevent the parts from being scratched.
- Check that you have all parts and hardware.
- Remove all wrapping materials, including staples & packing straps before you start to assemble.
- Do not tighten any screws or bolts until the unit is completely assembled.
- Keep all hardware parts out of reach of children.

1

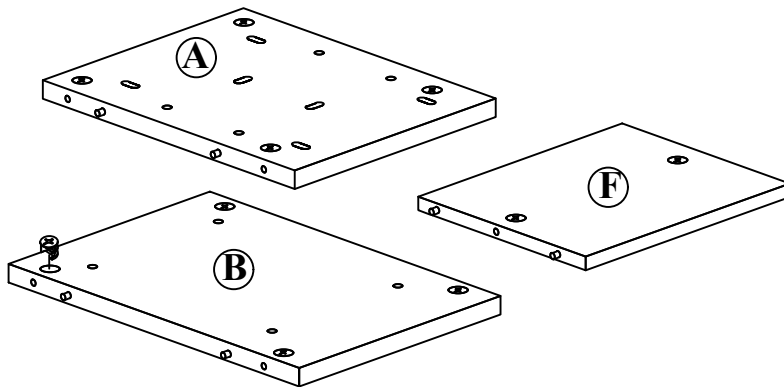


ATTACH MINIFIX BOLT(I) TO SIDE PANEL LEFT(C) & SIDE PANEL RIGHT(D).

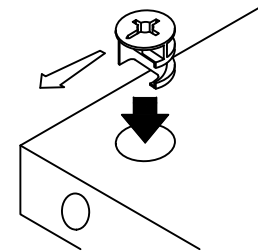


LINE UP CAM LOCK, TURN CLOCKWISE.

2



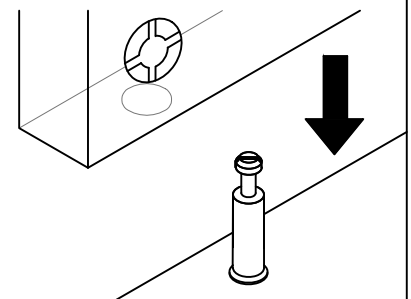
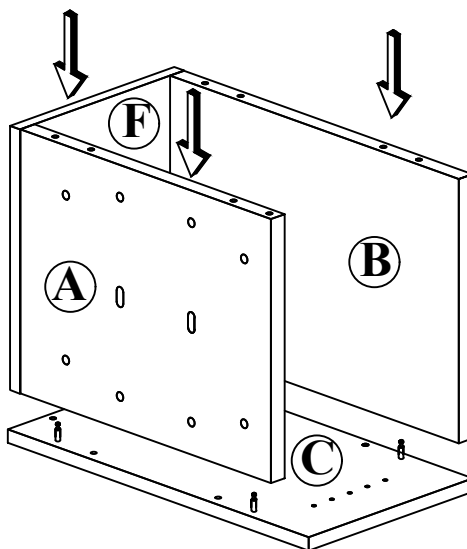
ATTACH KLIX CAM (2) TO FIXED SHELF(A), BOTTOM PANEL(B) & BACK PANEL(F).



INSERT THE CAM WITH THE ARROW POINTING TOWARDS THE HOLE IN THE EDGE.

3

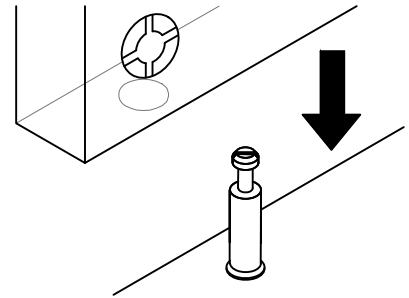
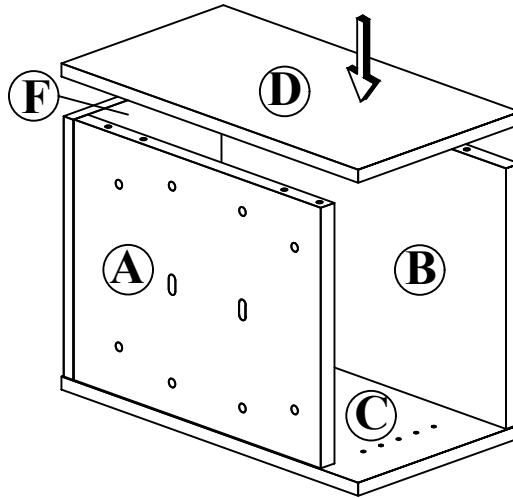
ATTACH FIXED SHELF(A), BOTTOM PANEL(B) & BACK PANEL(F) TO SIDE PANEL LEFT(C) USING CAM LOCK(I) AND KLIX CAM(2).



INSERT THE CAM LOCK INTO KLIX CAM. TURN KLIX CAM TO LOCK.

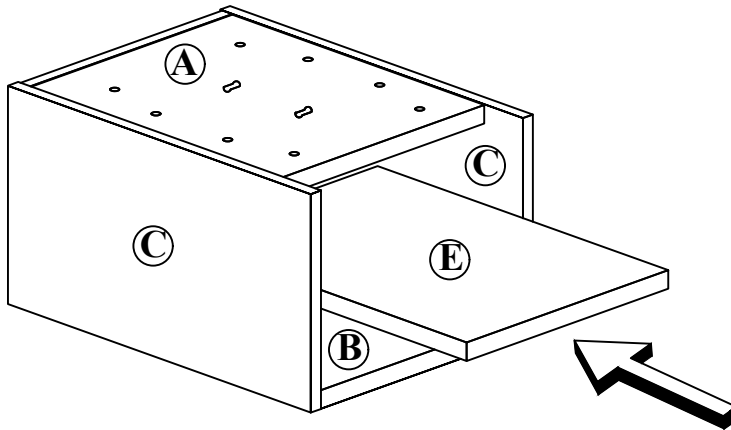
4

ATTACH SIDE PANEL RIGHT(D) TO FIXED SHELF(A), BOTTOM PANEL(B) & BACK PANEL(F) USING CAM LOCK(I) AND KLIX CAM(2).



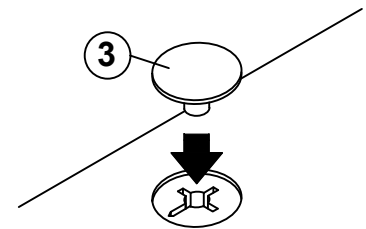
INSERT THE CAM LOCK INTO KLIX CAM. TURN KLIX CAM TO LOCK.

5



ATTACH ADJUSTABLE SHELF(E) TO ASSEMBLED PANEL.

6



ATTACH HOUSING CAP (3) TO ALL KLIX CAM(2) BY PUSHING NECK THROUGH CENTER OF CAM.

PUSH DRAWER SLIDE AT DRAWER BOX FOR PL166(G). PUSH TO RELEASE THE DRAWER BOX AND PULL OUT FROM PL166 BODY

