

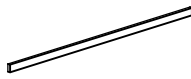






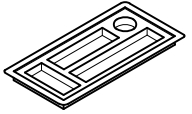
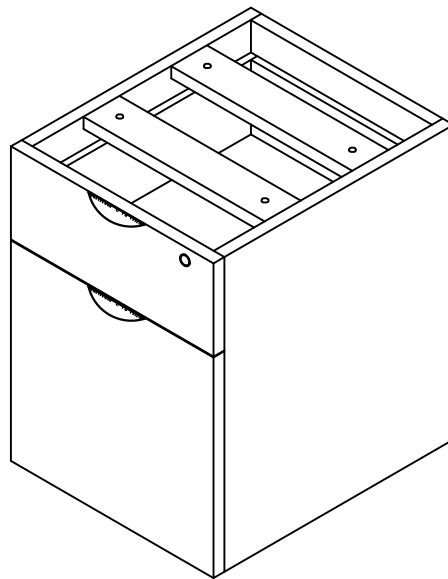


**PL 107-A1  
BOX / FILE PEDESTAL**

Please follow these instructions for easy assembly.

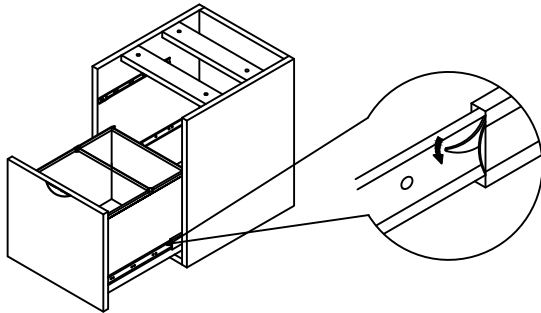
1  Metal Scallop Shape Handle 2 Sets	2  File Clip 2 Pcs	3  302 x 16 x 3mm Aluminum Bar 1 Pc	4  M4 x 65 Allen-Key 1 Pc	5  JCBC Screw M6 x 40mm = 4pcs 1/4 Washer = 8pcs
6  6 Hole L-Bracket 2 Pcs	7  Screw #6 x 5/8" 12 Pcs	8  #8 x 1 1/2" Pan Head Screw 2 Pcs	9  Keys 1 Set	10  Pencil Tray 1 no.



**IMPORTANT !!**

- Place all wooden parts on a clean and smooth surface such as a rug or carpet to avoid the parts from being scratched.
- Check that you have all parts and hardware.
- Remove all wrapping materials, including staples & packing straps before you start to assemble.
- Do not tighten any screws or bolts until the unit is completely assembled.
- Keep all hardware parts out of reach of children.

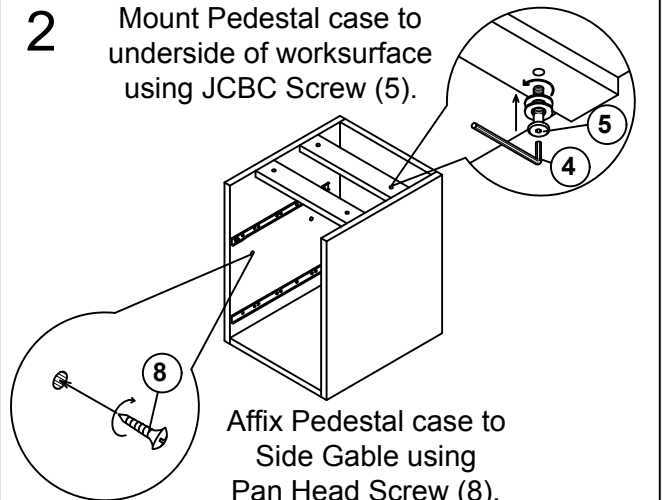
1



Remove drawer from pedestal. Fully open drawer. Where first slide meets second slide there is a small clip. Pull the clip on the left hand slide up, push the clip on the right hand slide down. Pull drawer out.

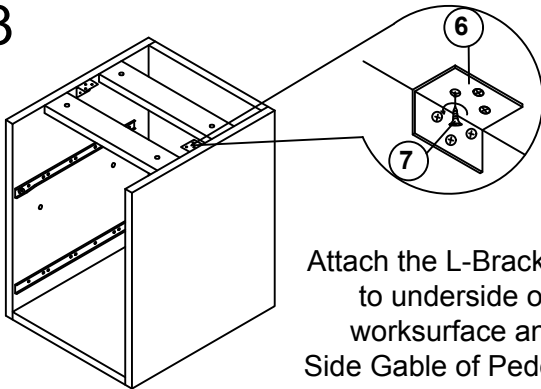
2

Mount Pedestal case to underside of worksurface using JCBC Screw (5).



Affix Pedestal case to Side Gable using Pan Head Screw (8).

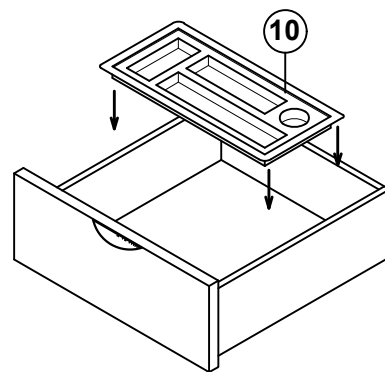
3



Attach the L-Bracket(6) to underside of worksurface and Side Gable of Pedestal.

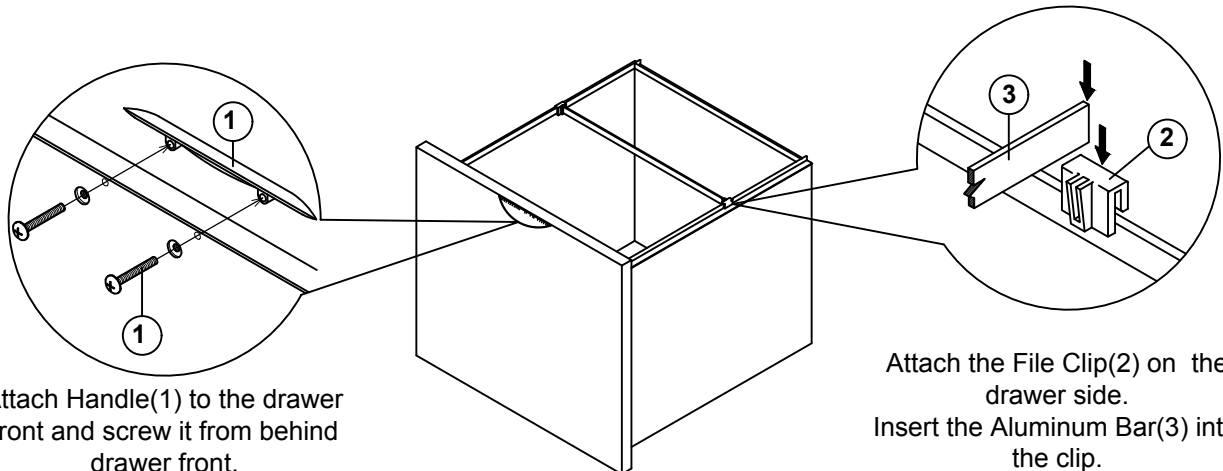
\* On model PL169, attach L-Bracket(6) to bottom of Pedestal and Side Gable of desk.

4



Attach the Pencil Tray(10) on the top drawer.

5



Attach Handle(1) to the drawer front and screw it from behind drawer front.

Attach the File Clip(2) on the drawer side. Insert the Aluminum Bar(3) into the clip.

Additional Hardware.  
Please note that we have enclosed additional hardware to allow you to attach this box / file pedestal to underside of most desks.