

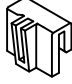
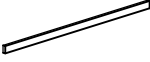
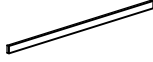


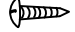
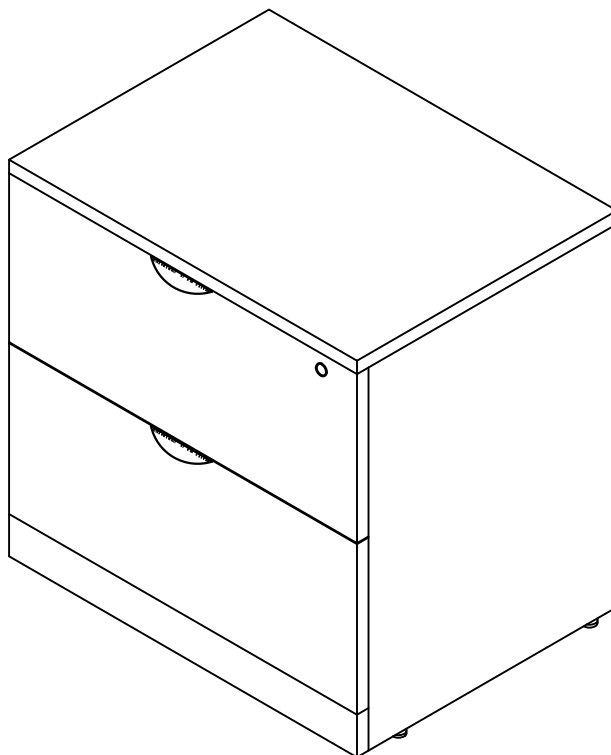


Thank you for purchasing the Performance 2 Drawer Lateral File.
Please follow these instructions for easy assembly.

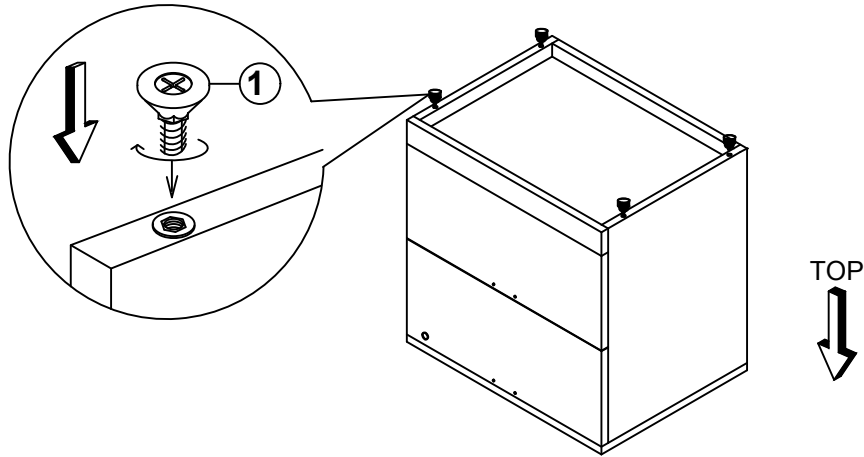
<p>A</p>  <p>Adjustable Glide 4 Pcs</p>	<p>B</p>  <p>Metal Scallop Shape Handle 2 Sets</p>	<p>C</p>  <p>File Clip 8 Pcs</p>	<p>D</p>  <p>790 x 16 x 3mm Aluminum Bar 2 Pcs</p>	<p>E</p>  <p>377 x 16 x 3mm Aluminum Bar 4 Pcs</p>
<p>F</p>  <p>Keys 1 Set</p>	<p>G</p>  <p>M4 x 64mm Allen Key 1 Pc</p>	<p>H</p>  <p>#8 x 1 1/2" Pan Head Screw 2 Pcs</p>		



IMPORTANT !!

- Place all wooden parts on a clean and smooth surface such as a rug or carpet to avoid the parts from being scratched.
- Check that you have all parts and hardware.
- Remove all wrapping materials, including staples & packing straps before you start to assemble.
- Do not tighten any screws or bolts until the unit is completely assembled.
- Keep all hardware parts out of reach of children.

1



Screw Adjustable Glide(1) into bottom of Side Panel.

2

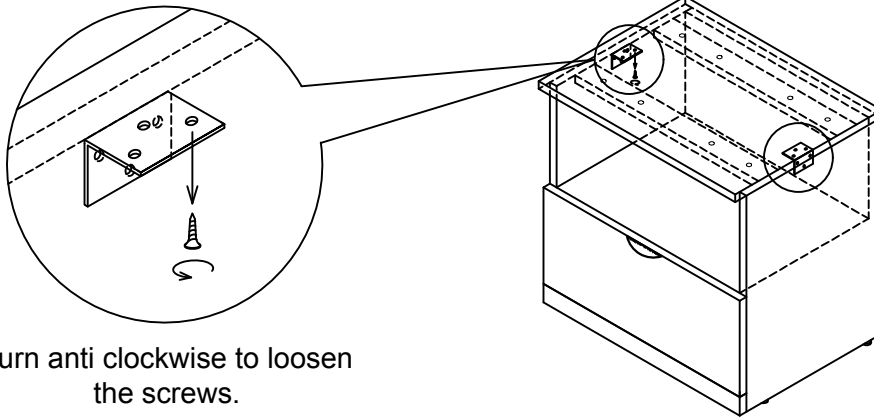


Attach Handle(2) to the drawer front and screw it from behind drawer front.

Attach the File Clip(3) on the drawer side.
Insert the Aluminium Bar into the clip.

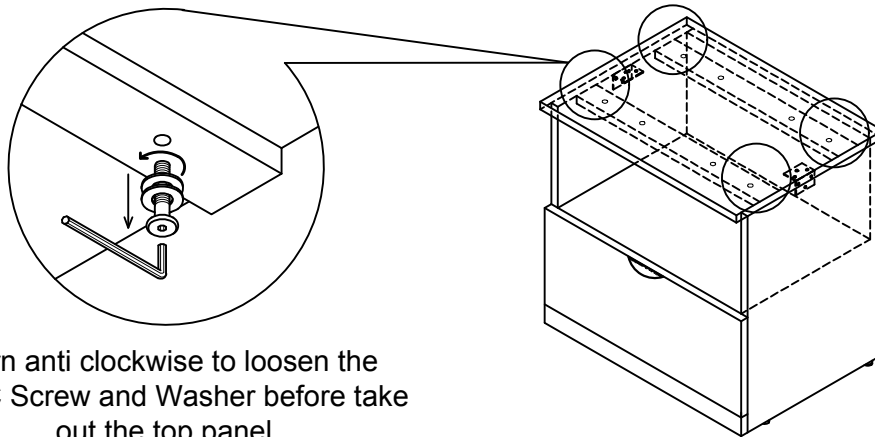
OPTIONAL : REMOVE THE TOP PANEL.

3



Turn anti clockwise to loosen
the screws.

4



Turn anti clockwise to loosen the
JCBC Screw and Washer before take
out the top panel.