


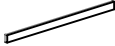




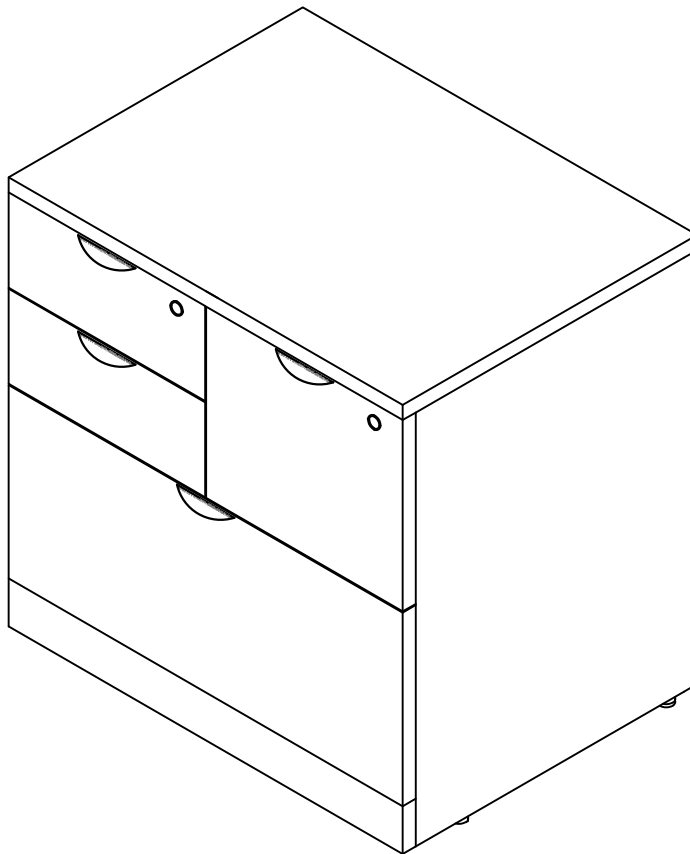


Thank you for purchasing the Performance Lateral B/B/F Combo.
 Please follow these instructions for easy assembly.

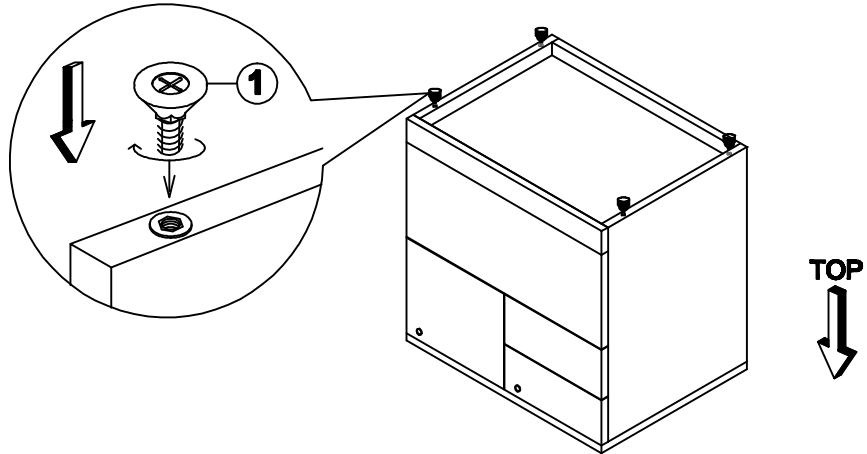
<p>1</p>  <p>Adjustable Glide 4 Pcs</p>	<p>2</p>  <p>Metal Scallop Shape Handle 4 Sets</p>	<p>3</p>  <p>File Clip 6 Pcs</p>	<p>4</p>  <p>377 x 16 x 3mm Aluminum Bar 2 Pcs</p>
<p>5</p>  <p>682 x 16 x 3mm Aluminum Bar 1 Pc</p>	<p>6</p>  <p>302 x 16 x 3mm Aluminum Bar 1 Pc</p>	<p>7</p>  <p>Keys 2 Sets</p>	<p>8</p>  <p>#8 x 1 1/2" Pan Head Screw 2 Pcs</p>



IMPORTANT !!

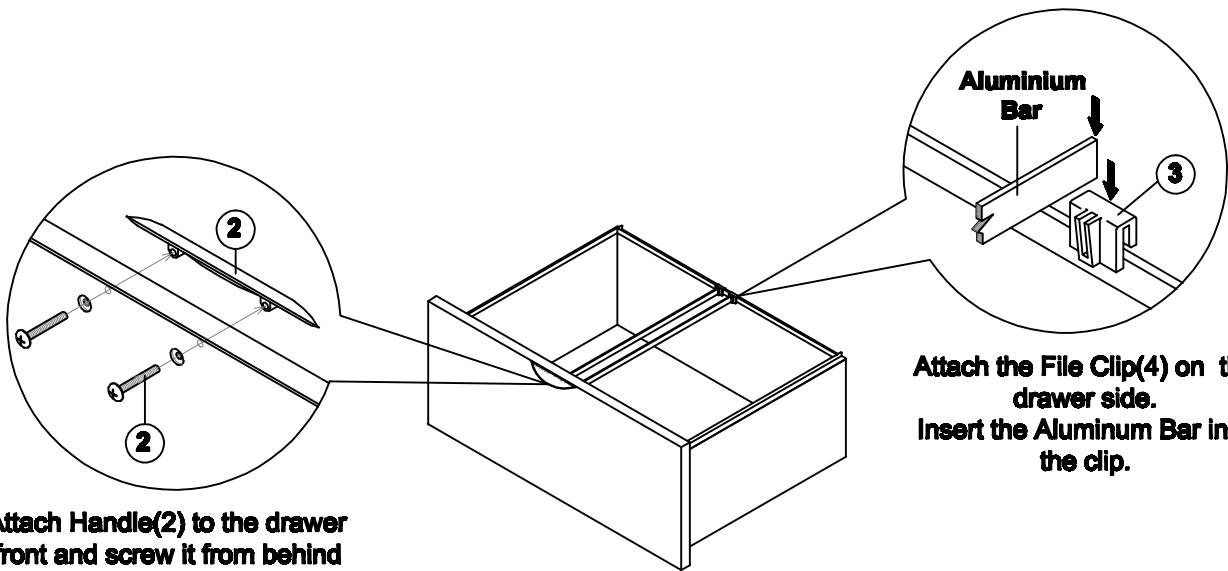
- Place all wooden parts on a clean and smooth surface such as a rug or carpet to avoid the parts from being scratched.
- Check that you have all parts and hardware.
- Remove all wrapping materials, including staples & packing straps before you start to assemble.
- Do not tighten any screws or bolts until the unit is completely assembled.
- Keep all hardware parts out of reach of children.

1



Screw Adjustable Glide(1) into bottom of Side Panel.

2

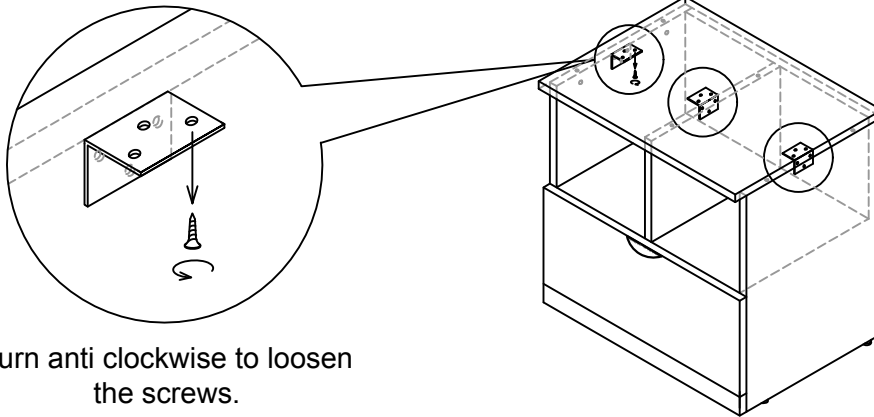


Attach Handle(2) to the drawer front and screw it from behind drawer front.

**Attach the File Clip(4) on the drawer side.
Insert the Aluminium Bar into the clip.**

OPTIONAL : REMOVE THE TOP PANEL.

3



4

