



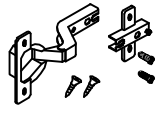
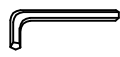


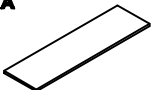

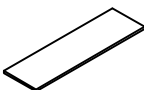
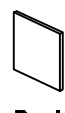
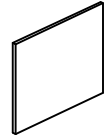
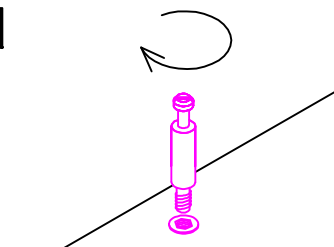
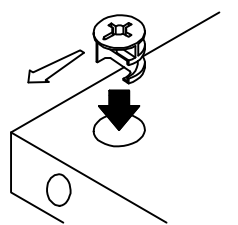
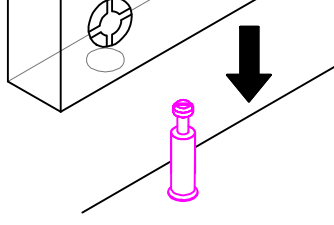


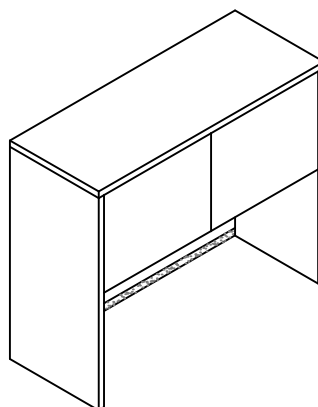
Thank you for purchasing the Performance Hutch With 2 Doors.
Please follow these instructions for easy assembly.

<p>1</p>  <p>Cam Lock 12 Pcs</p>	<p>2</p>  <p>Klix Cam 12 Pcs</p>	<p>3</p>  <p>Housing Cap (Long) 8 Pcs</p>	<p>4</p>  <p>Housing Cap (Short) 4 Pcs</p>	<p>5</p>  <p>15° Compo Door Hinges 2 Pairs</p>
<p>6</p>  <p>M4 x 65 Allen-Key 1 Pc</p>	<p>7</p>  <p>18 mm Double Sided Foam Tape 750 mm (L)</p>	<p>8</p>  <p>Door Stopper 2 Pcs</p>		

<p>A</p>  <p>Top Panel</p>	<p>B</p>  <p>Side Panel x 2</p>	<p>C</p>  <p>Fixed Shelf</p>	<p>D</p>  <p>Door Panel x 2</p>	<p>E</p>  <p>Back Panel</p>
---	--	---	---	--

KLIX CAM INSTRUCTIONS

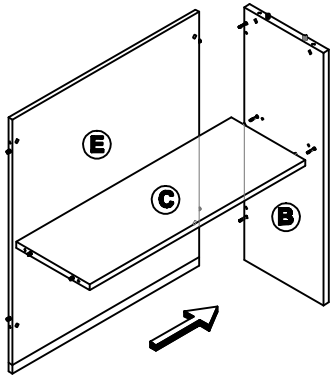
<p>1</p>  <p>Line up Cam Lock, turn clockwise.</p>	<p>2</p>  <p>Insert the cam with the arrow pointing towards the hole in the edge.</p>	<p>3</p>  <p>Insert the Cam Lock into Klix Cam. Turn Klix Cam to lock.</p>
--	---	--



IMPORTANT !!

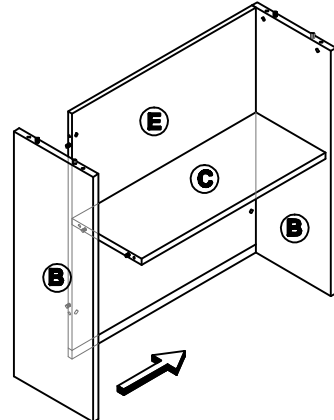
- Place all wooden parts on a clean and smooth surface such as a rug or carpet to avoid the parts from being scratched.
- Check that you have all parts and hardware.
- Remove all wrapping materials, including staples & packing straps before you start to assemble.
- Do not tighten any screws or bolts until the unit is completely assembled.
- Keep all hardware parts out of reach of children.

1



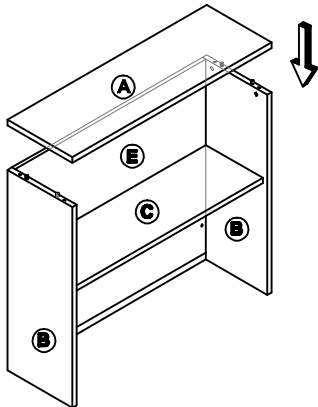
Attach the Fixed Shelf (C) and Back Panel (E) to Side Panel (B) by using Cam Lock (1) and Klix Cam (2).

2



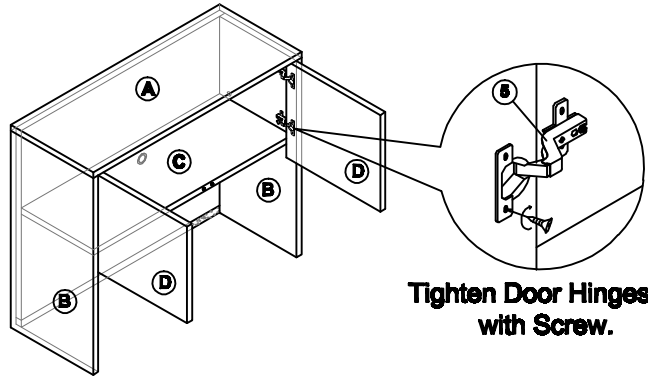
Attach another Side Panel (B) by using Cam Lock (1) and Klix Cam (2).

3



Attach the Top Panel (A) to Side Panel (B) by using Cam Lock (1) and Klix Cam (2).

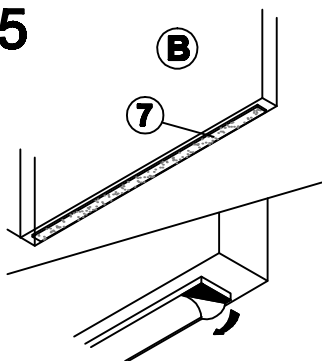
4



Tighten Door Hinges(5) with Screw.

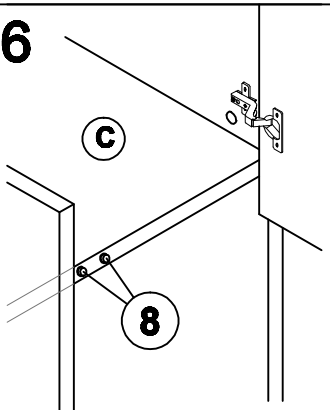
Attach the Doors Panel (D) to the Side Panel (B) with Door Hinges (5).

5



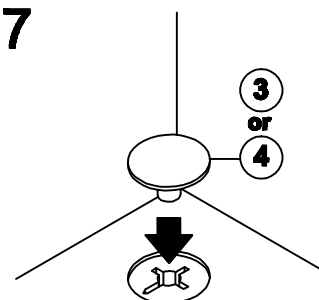
Peel Double Sided Foam Tape (7) and stick it on bottom of Side Panel (B).

6



Stick the Door Stopper (8) on the Fixed Shelf (C)

7



Attach Housing Cap (3 or 4) to all Klix Cam(2) by pushing neck through center of cam.