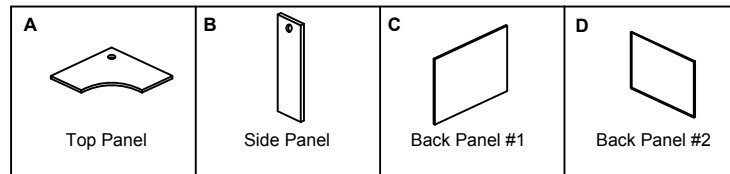
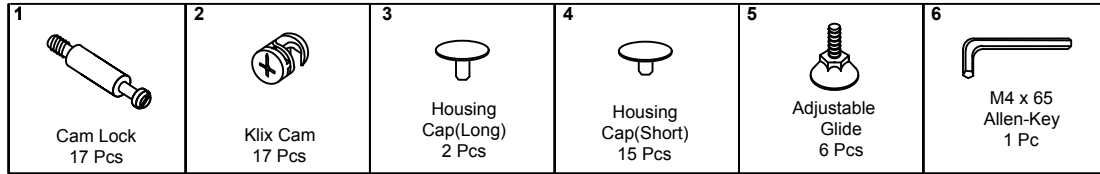
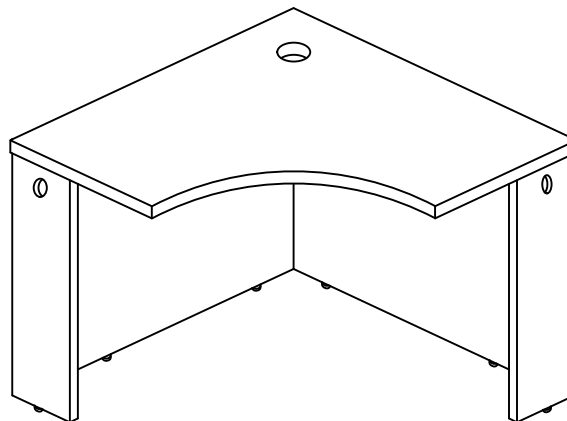
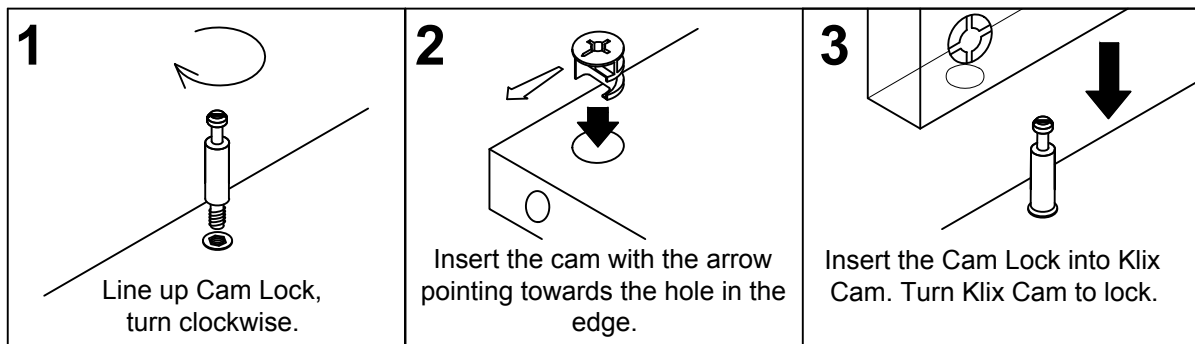


Thank you for purchasing the Performance Corner Unit.
Please follow these instructions for easy assembly.



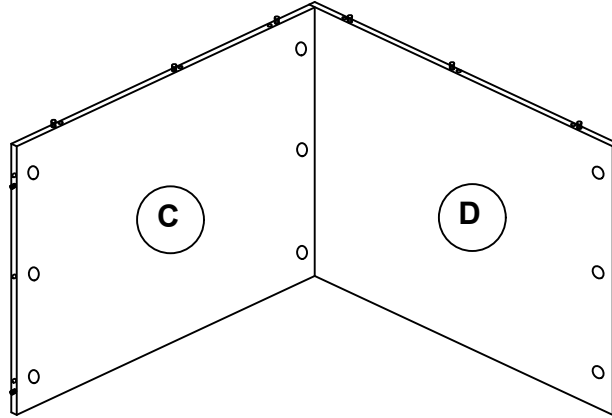
KLIX CAM INSTRUCTIONS



IMPORTANT !!

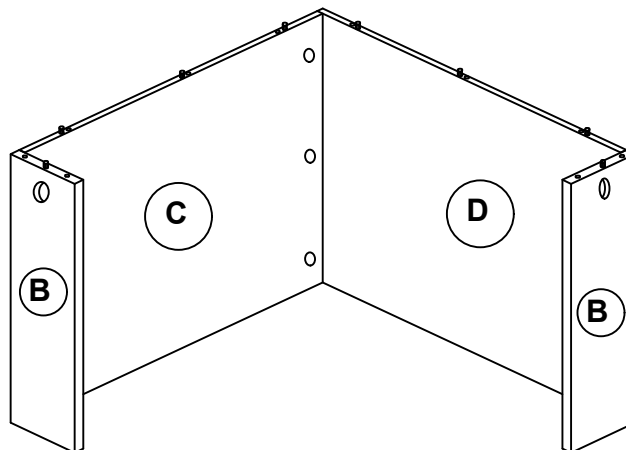
- Place all wooden parts on a clean and smooth surface such as a rug or carpet to avoid the parts from being scratched.
- Check that you have all parts and hardware.
- Remove all wrapping materials, including staples & packing straps before you start to assemble.
- Do not tighten any screws or bolts until the unit is completely assembled.
- Keep all hardware parts out of reach of children.

1



Attach the Back Panel (C) to
Back Panel (D) by using Cam
Lock (1) and Klix Cam (2).

2



Attach the Side Panel (B) to
Back Panel by using Cam Lock
(1) and Klix Cam (2).

