






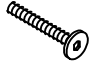


# ASSEMBLY INSTRUCTIONS MODEL: PL 135T/235T

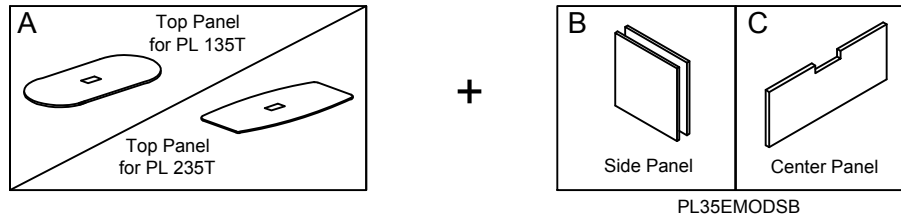
Before assembly, please remove all parts from carton, verifying that you have the correct quantities, and read all the instructions.

## IN THE CARTON:

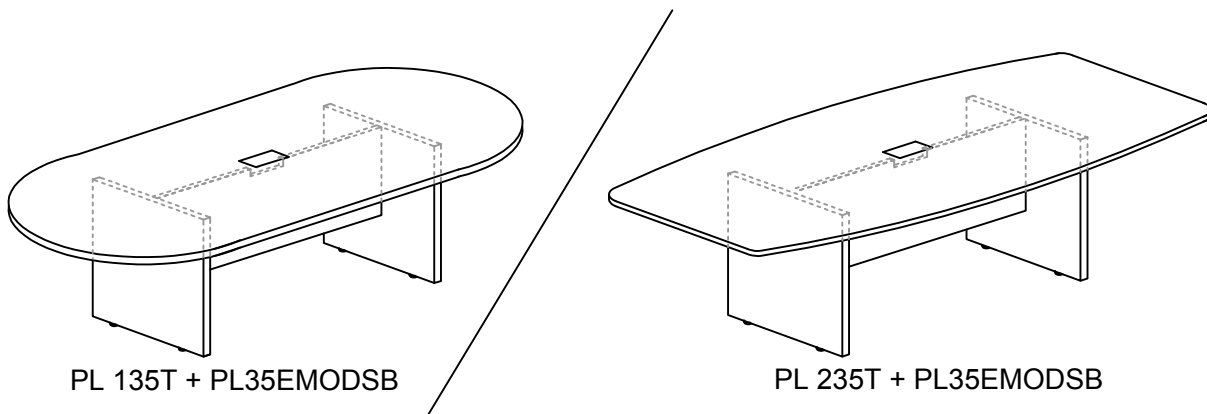
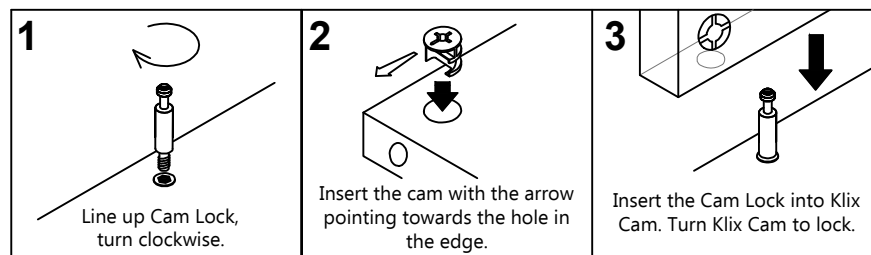
### HARDWARE

1  Cam Lock 6 Pcs	2  Klix Cam 6 Pcs	3  Housing Cap (Long) 2 Pc	4  Housing Cap (Short) 4 Pcs	5  Adjustable Glide 4 Pcs	6  6 Hole L-Bracket 4 Pcs	7  Screw #6 x 3/8" 24 Pcs	8  Cross Nut M6 x 70mm 4 Sets
---	---	--	--	--	---	--	--

### HARDWARE PACK WITH PL35EMODSB COMPONENTS

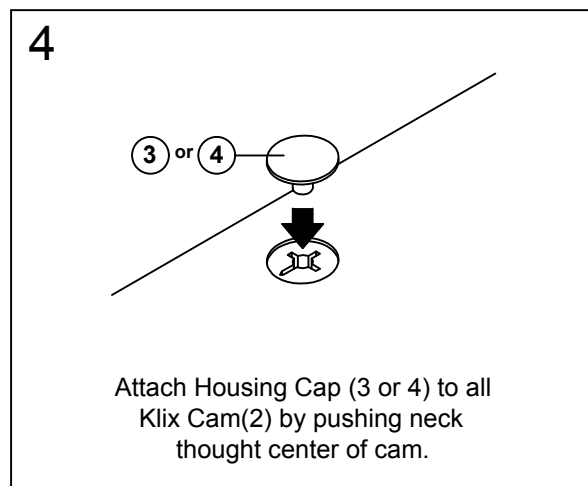
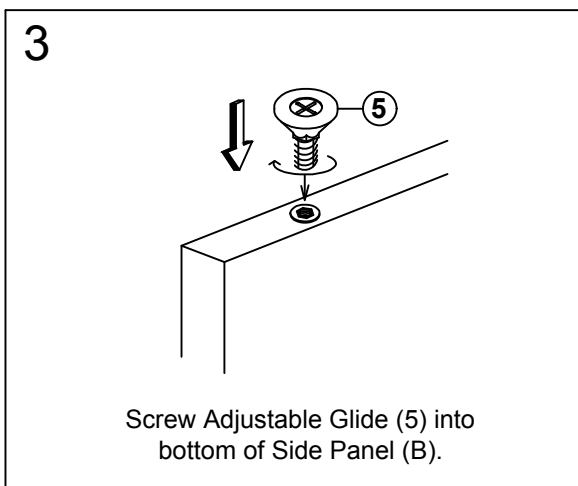
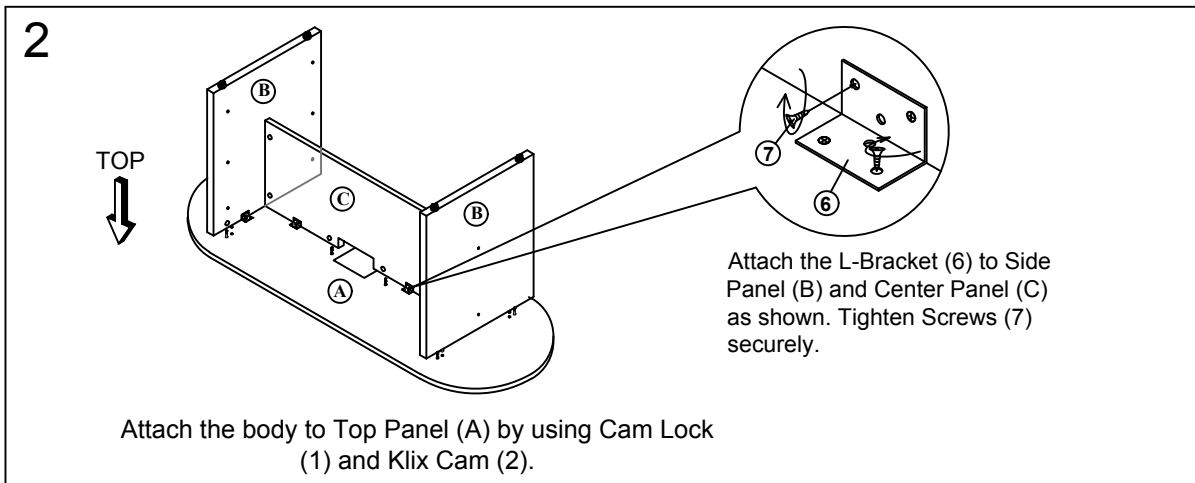
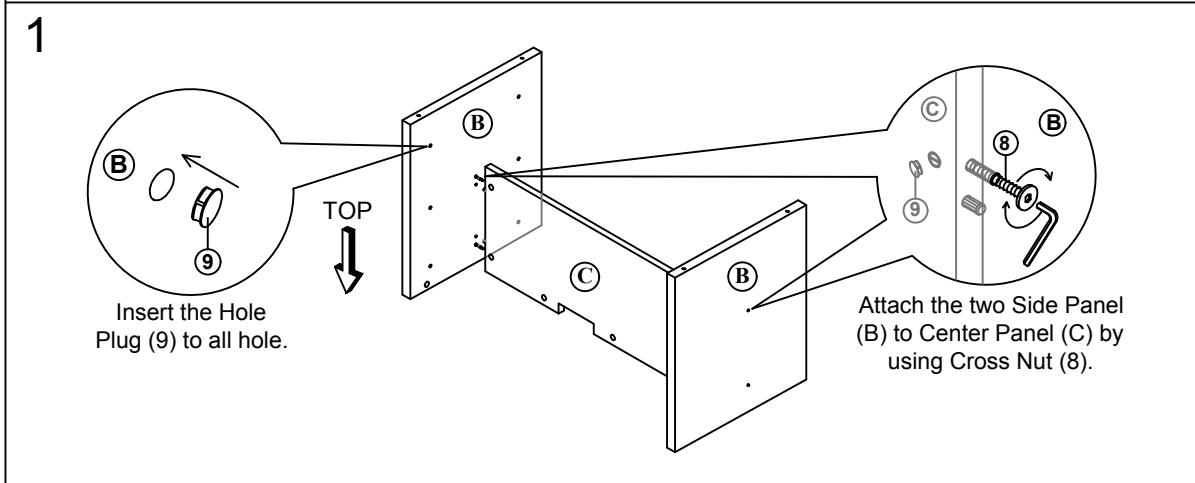


### KLIX CAM INSTRUCTIONS



Before assembly, please remove all parts from carton, verifying that you have the correct quantities, and read all the instructions.

**INSTRUCTION:**



**⚠ ATTENTION ⚠**

Place all wooden parts on a clean, smooth surface to prevent them from being scratched.

Check to be sure that you have all parts and hardware. Remove all wrapping materials, including staples and packing straps before you start to assemble. Do not tighten all screws/bolts until all completely assembled. Keep all hardware parts out of reach of children. If any parts are missing, broken, damaged or worn, stop use of product until repairs have been made using factory authorized parts. Failure to follow these warnings may result in injury.