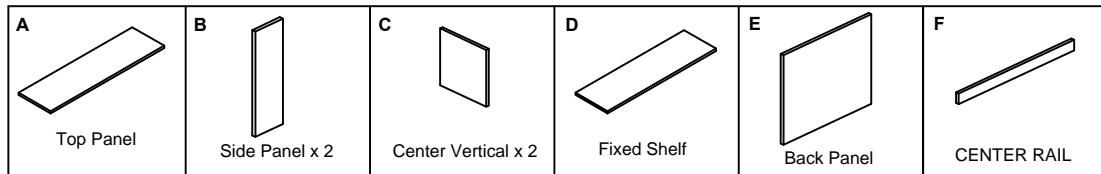
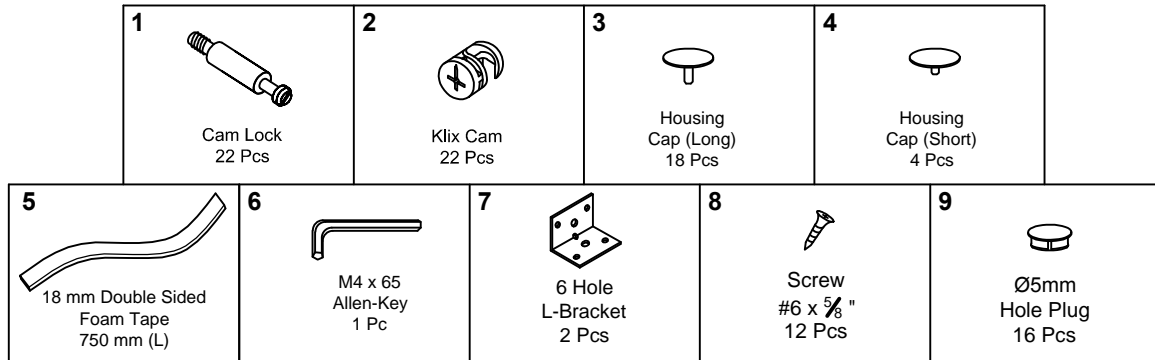
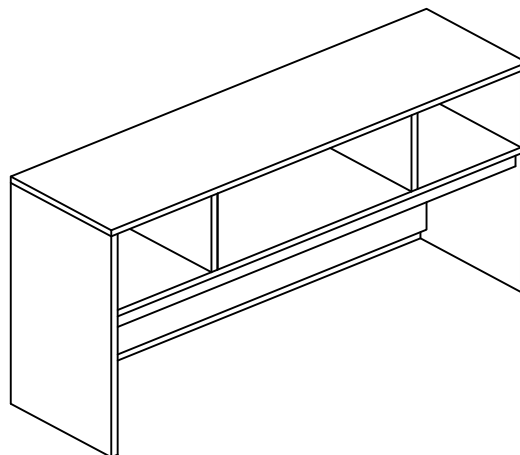
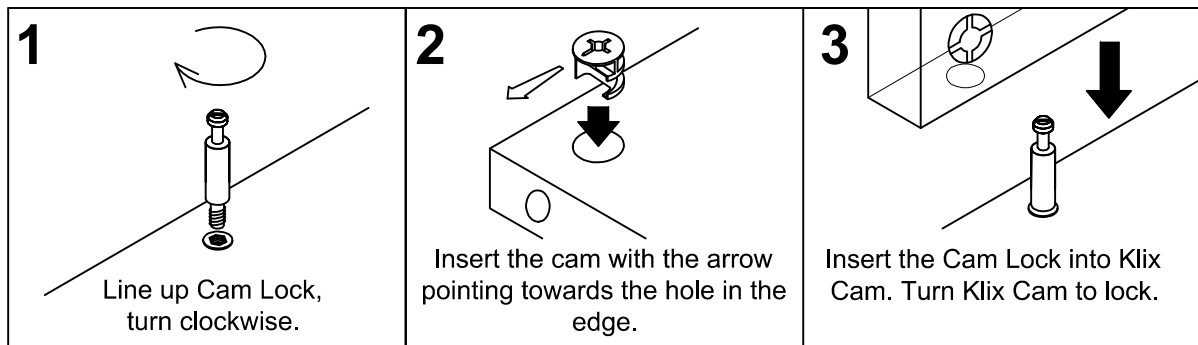


Thank you for purchasing the Performance Open Hutch  
Please follow these instructions for easy assembly.



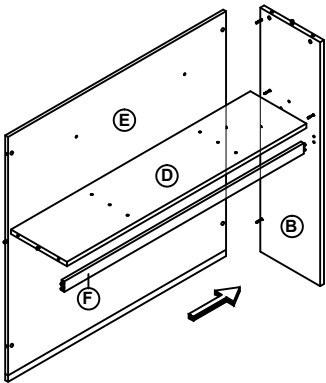
**KLIX CAM INSTRUCTIONS**



**IMPORTANT !!**

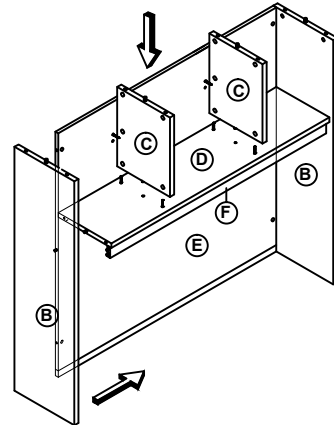
- Place all wooden parts on a clean and smooth surface such as a rug or carpet to avoid the parts from being scratched.
- Check that you have all parts and hardware.
- Remove all wrapping materials, including staples & packing straps before you start to assemble.
- Do not tighten any screws or bolts until the unit is completely assembled.
- Keep all hardware parts out of reach of children.

1



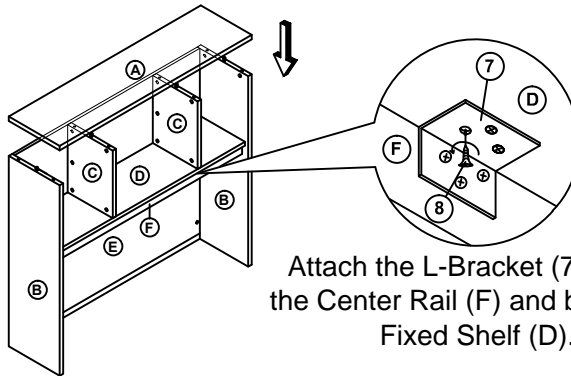
Attach the Fixed Shelf (D) and Back Panel (E) to Side Panel (B) by using Cam Lock (1) and Klix Cam (2). Attach the Center Rail (F) and Side Panel (B) by using assembled hardware-Wood Dowel.

2



Attach the Center Vertical (C) and another Side Panel (B) by using Cam Lock (1) and Klix Cam (2).

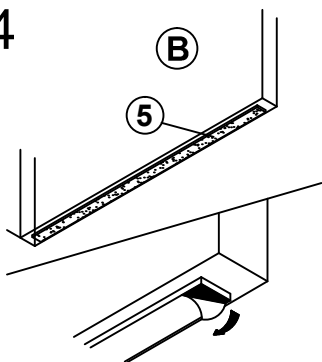
3



Attach the L-Bracket (7) inside the Center Rail (F) and bottom of Fixed Shelf (D).

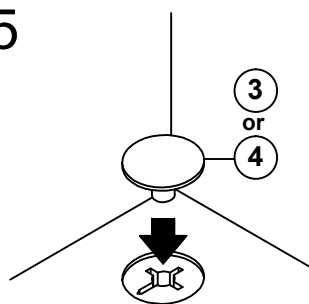
Attach the Top Panel (A) to Side Panel (B) and Center Vertical Panel (C) by using Cam Lock (1) and Klix Cam (2).

4



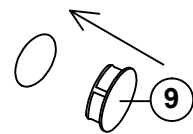
Peel Double Sided Foam Tape (5) and stick it on bottom of Side Panel (B).

5



Attach Housing Cap (3 or 4) to all Klix Cam(2) by pushing neck through center of cam.

6



Insert the Hole Plug (9) to all drill hole of the Side Panel (B) and Center Vertical Panel (C).