







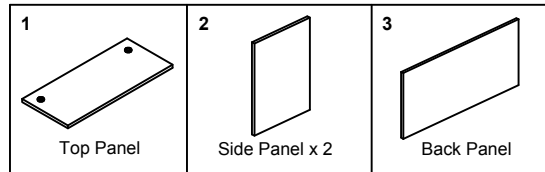
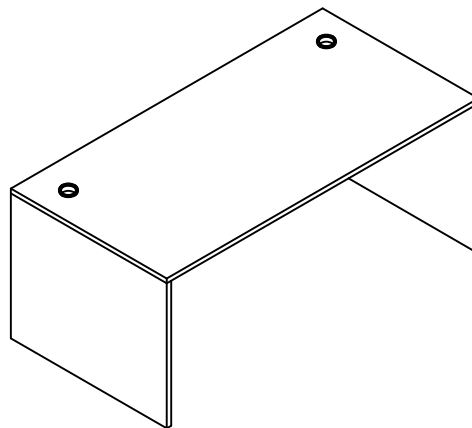
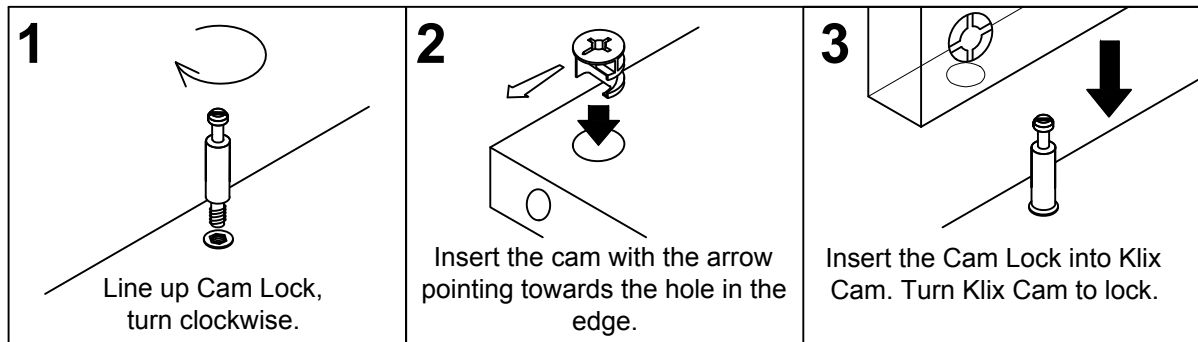


Thank you for purchasing the Performance Credenza Shell.
Please follow these instructions for easy assembly.

<p>A</p>  <p>Cam Lock 11 Pcs</p>	<p>B</p>  <p>Klix Cam 11 Pcs</p>	<p>C</p>  <p>Housing Cap (Long) 4 Pcs</p>	<p>D</p>  <p>Housing Cap (Short) 7 Pcs</p>	<p>E</p>  <p>Adjustable Glide 4 Pcs</p>	<p>F</p>  <p>6 Hole L-Bracket 5 Pcs</p>	<p>G</p>  <p>Screw #6 x 5/8" 30 Pcs</p>	<p>H</p>  <p>M4 x 65 Allen-Key 1 Pc</p>
--	--	---	--	---	---	--	---



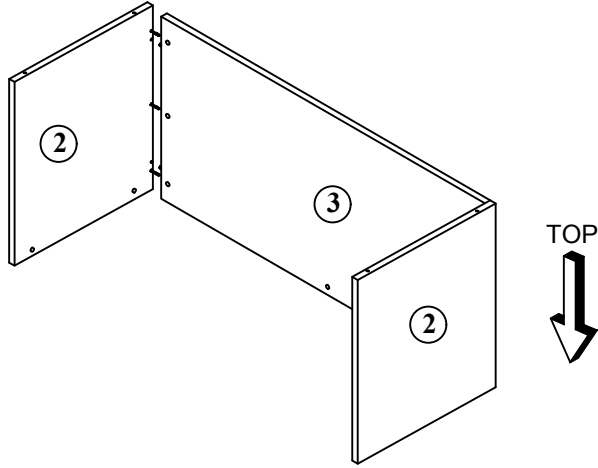
KLIX CAM INSTRUCTIONS



IMPORTANT !

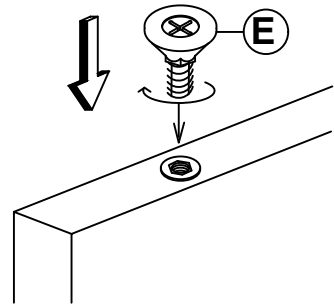
- Place all wooden parts on a clean and smooth surface such as a rug or carpet to avoid the parts from being scratched.
- Check that you have all parts and hardware.
- Remove all wrapping materials, including staples & packing straps before you start to assemble.
- Do not tighten any screws or bolts until the unit is completely assembled.
- Keep all hardware parts out of reach of children.

1



Attach Back Panel (3) to Left(2) and Right Side Panel(2) by using Cam Lock(A) and Klix Cam(B).

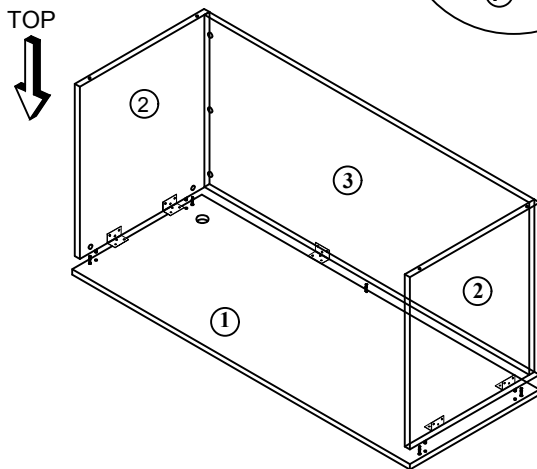
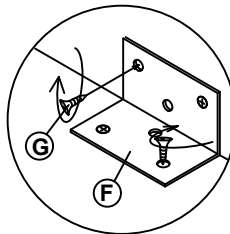
3



Screw Adjustable Glide(E) into bottom of Side Panel.

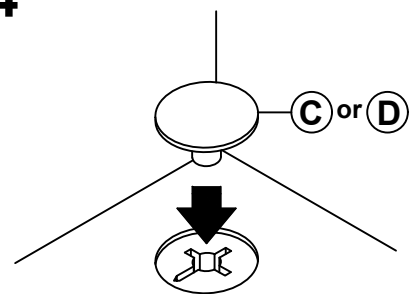
2

Attach L-Bracket(F) to Top Panel(1), Back Panel(3) and Side Panel(2) as shown. Tighten Screws(G) securely.



Attach Back Panel (3) and Side Panel (2) by using Cam Lock(A) and Klix Cam(B).

4



Attach Housing Cap(C) or (D) to all Klix Cam(2) by pushing neck thought center of cam.