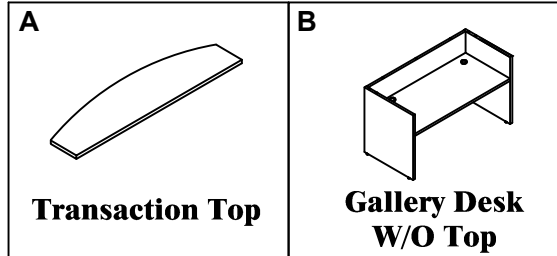
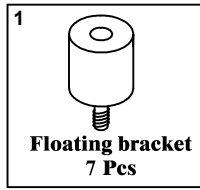
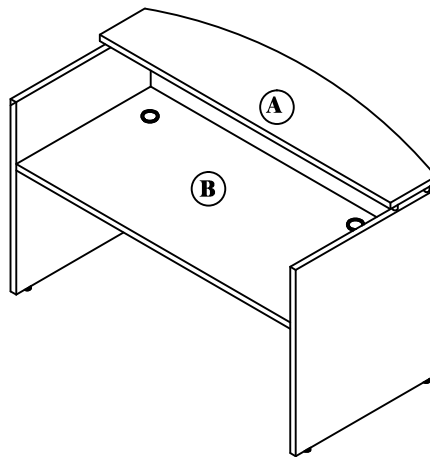
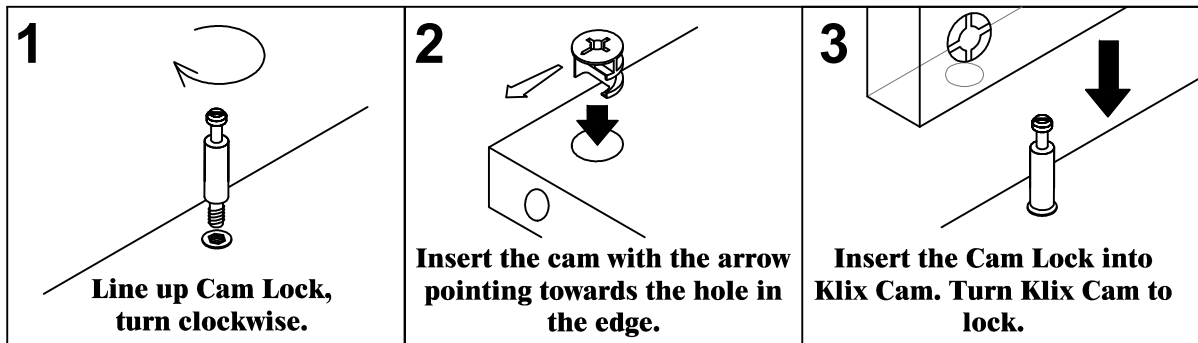


COMPONENTS



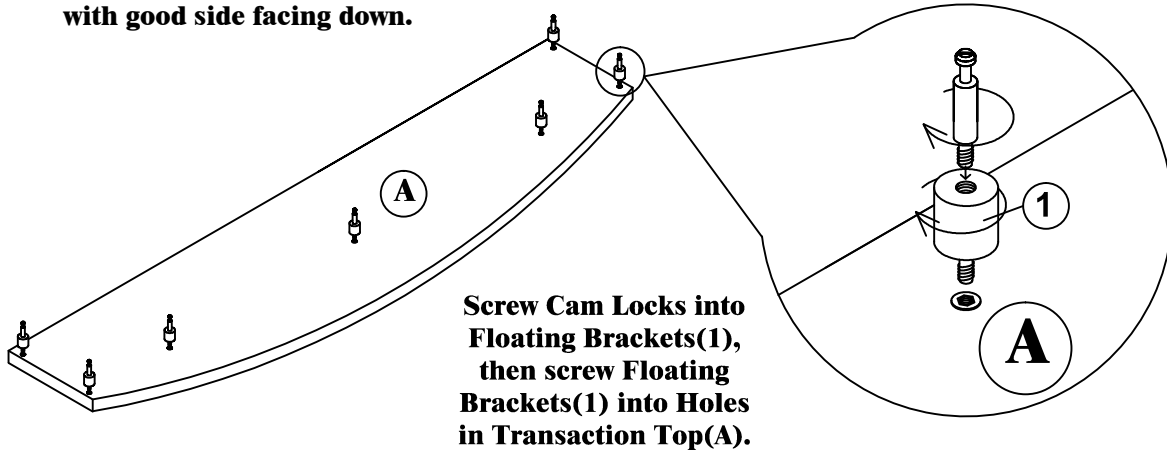
KLIX CAM INSTRUCTIONS



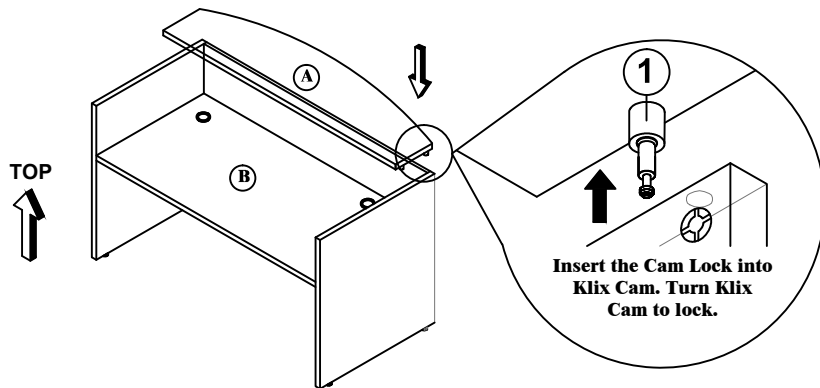
IMPORTANT :

- Place all wooden parts on a clean, smooth surface to prevent the parts from being scratched.
- Check that you have all parts and hardware.
- Remove all wrapping materials, including staples & packing straps before you start to assemble.
- Do not tighten screws or bolts until the unit is completely assembled.
- Keep all hardware parts out of reach of children.

1 Lay transaction top on work surface with good side facing down.

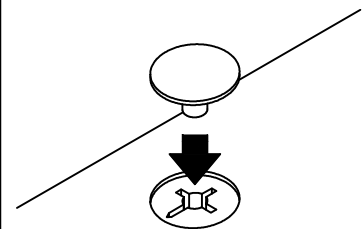


2



Attach Transaction Top(A) to Desk(B) by using Cam Locks and Klix Cams.

3



Attach Housing Cap to all Klix Cams by pushing neck of cap through center of cam.