







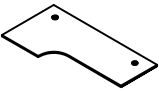
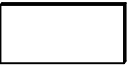
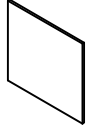
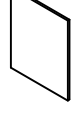

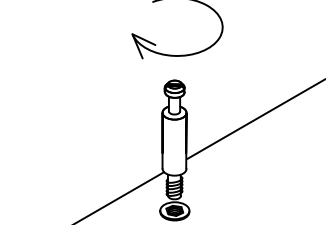
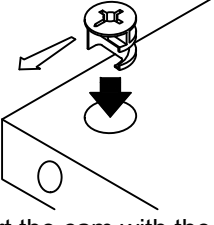
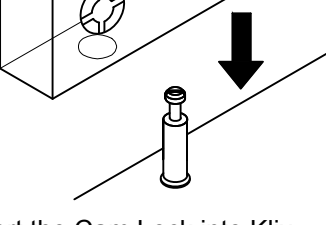


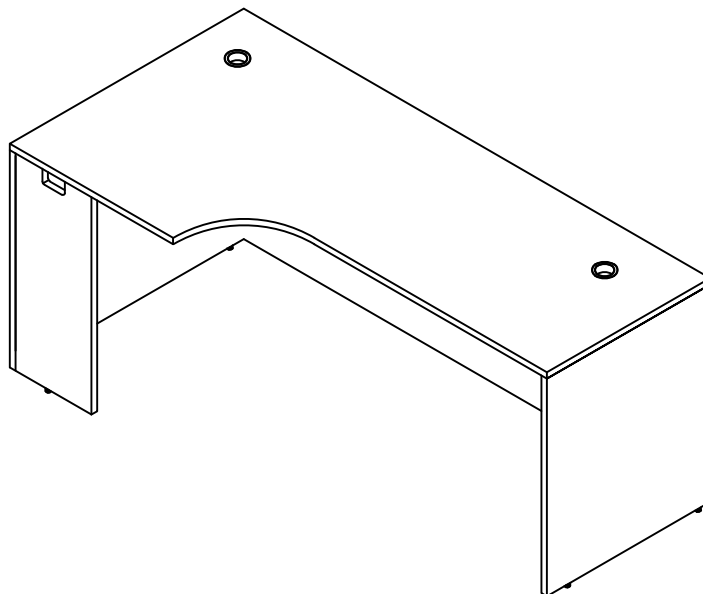
Thank you for purchasing the Performance Bow Front Pork Chop Desk.
Please follow these instructions for easy assembly.

1  Cam Lock 16 Pcs	2  Klix Cam 16 Pcs	3  Housing Cap (Long) 9 Pcs	4  Housing Cap (Short) 7 Pcs	5  Adjustable Glide 5 Pcs	6  6 Hole L-Bracket 5 Pcs	7  Screw #6 x 5/8 " 30 Pcs	9  M4 x 65 Allen-Key 1 Pc
--	--	--	---	--	--	---	--

A  Top Panel	B  Back Panel	C  Side Panel #A	D  Side Panel #B	E  Side Panel #C
---	--	---	---	---

KLIX CAM INSTRUCTIONS

1  Line up Cam Lock, turn clockwise.	2  Insert the cam with the arrow pointing towards the hole in the edge.	3  Insert the Cam Lock into Klix Cam. Turn Klix Cam to lock.
---	---	---



IMPORTANT !!

Place all wooden parts on a clean and smooth surface such as a rug or carpet to avoid the parts from being scratched.

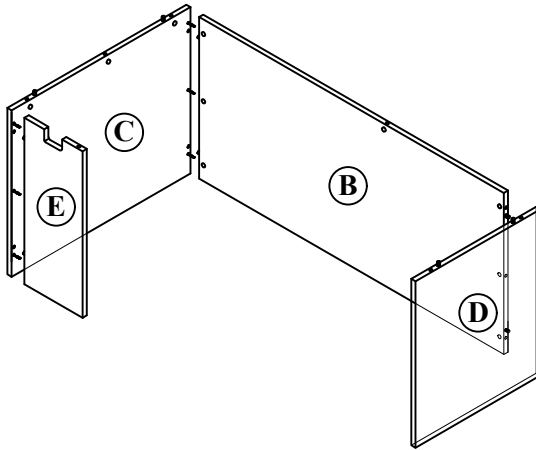
Check that you have all parts and hardware.

Remove all wrapping materials, including staples & packing straps before you start to assemble.

Do not tighten any screws or bolts until the unit is completely assembled.

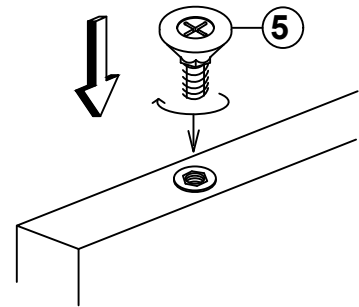
Keep all hardware parts out of reach of children.

1



Attach the 3 Side Panel (C,D,E) to the Back Panel (B) by using Cam Lock (1) and Klix Cam (2)

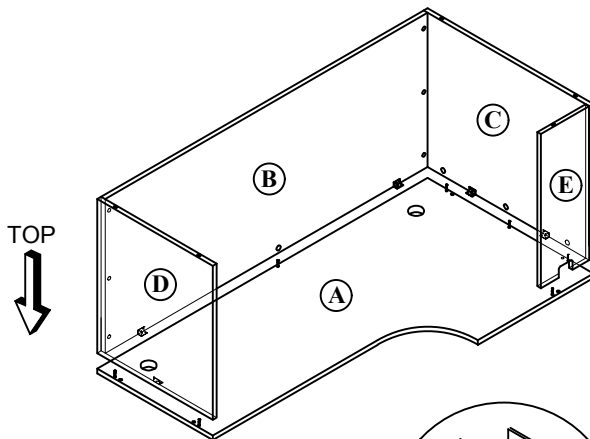
3



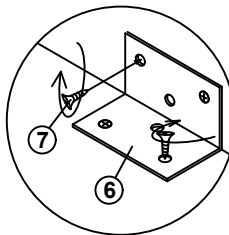
Screw Adjustable Glide(5) into bottom of Side Panel.

2

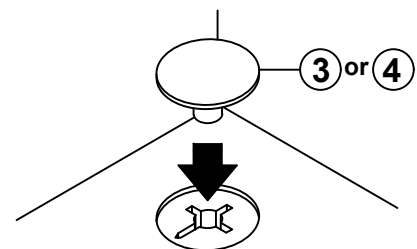
Attach Back Panel(B) and 3 Side Panel(C,D,E) to the Top Panel(A) by using Cam Lock(1) and Klix Cam(2).



Attach the L-Bracket(6) to Top Panel(A), Back Panel(B) and Side Panel(C,D) as shown. Tighten Screw(7) securely.



4



Attach Housing Cap(3 or 4) to all Klix Cam(2) by pushing neck thought center of cam.