












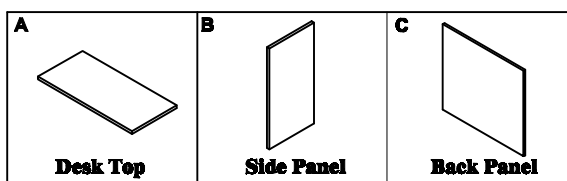


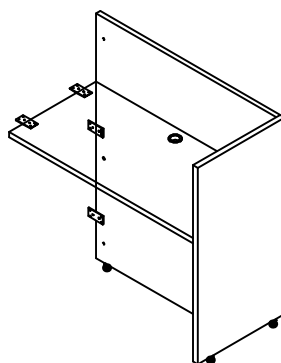
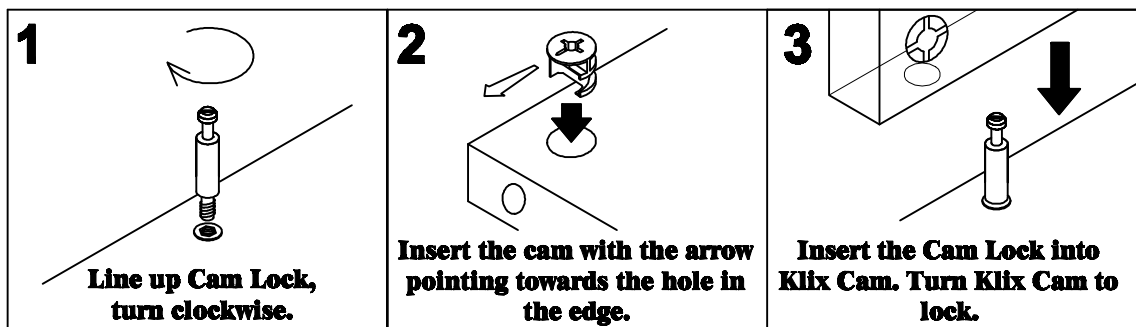
**Thank you for purchasing the Performance Gallery Desk.  
Please follow these instructions for easy assembly.**

1  <b>Cam Lock</b> 7 Pcs	2  <b>Klix Cam</b> 7 Pcs	3  <b>Housing Cap</b> 7 Pcs	4  <b>Adjustable Glide</b> 4 Pcs	5  <b>6 Hole L-Bracket</b> 3 Pcs	6  <b>Screw #6 x 1/2"</b> 54 Pcs	7  <b>I-Bracket</b> 4 Pcs
--	--	---	--	---	--	---

8  <b>3" L-Bracket With 6 Hole</b> 2 Pcs	9  <b>Ø15mm Hole Plug</b> 3 Pcs	10  <b>Ø8mm Hole Plug</b> 2 Pcs	11  <b>D-Nut Cap M6</b> 3 Pcs	12  <b>M8 x 30 Wood Dowel</b> 4 Pcs	13  <b>M4 x 65 Allen-Key</b> 1 Pc
--	---	---	---	---	---

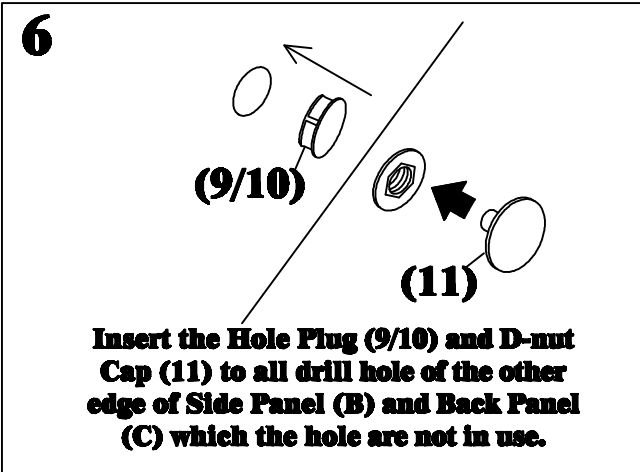
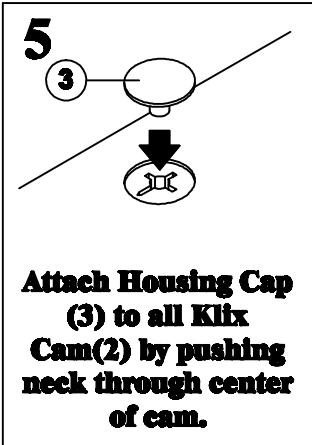
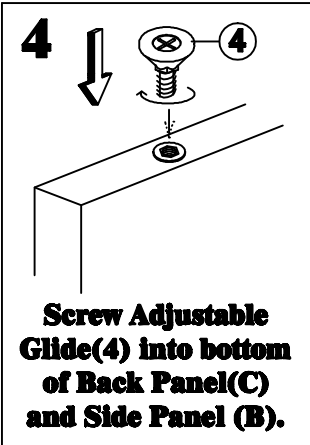
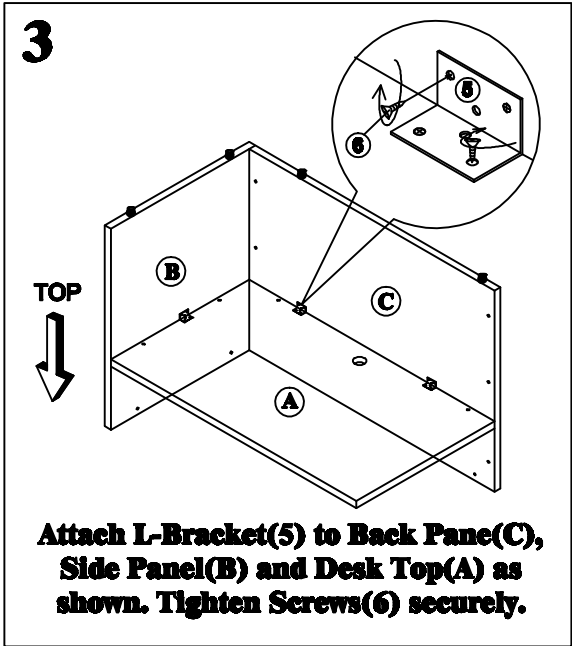
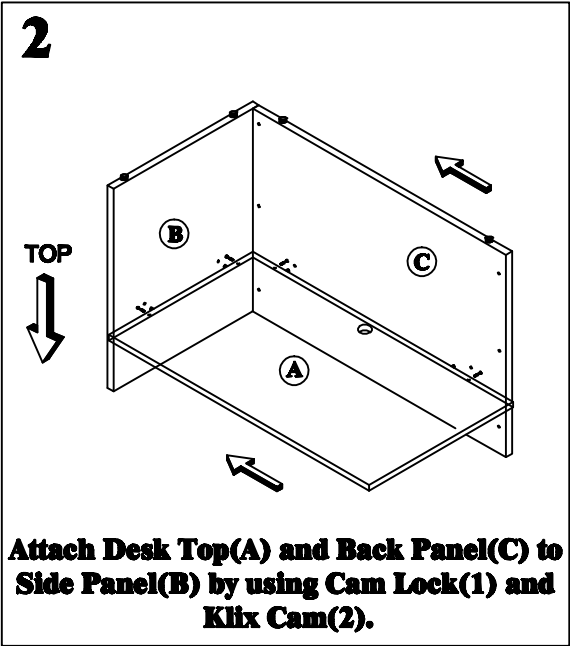
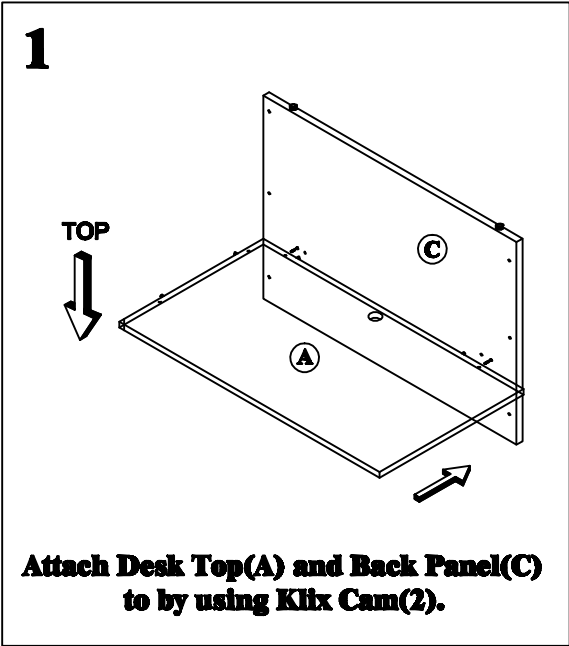


**KLIX CAM INSTRUCTIONS**



**IMPORTANT !!**

- Place all wooden parts on a clean and smooth surface such as a rug or carpet to avoid the parts from being scratched.
- Check that you have all parts and hardware.
- Remove all wrapping materials, including staples & packing straps before you start to assemble.
- Do not tighten any screws or bolts until the unit is completely assembled.
- Keep all hardware parts out of reach of children.



**Additional Hardware.**  
Please note that Performance Office Furnishings has enclosed additional hardware to allow you to attach this gallery return to other pieces.