






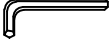

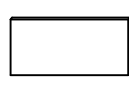
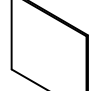
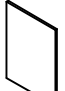
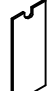
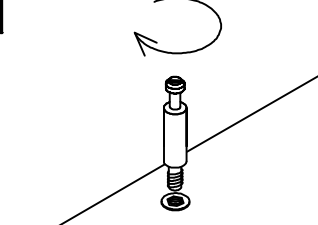
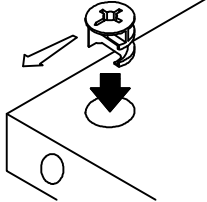
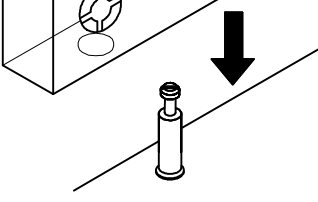


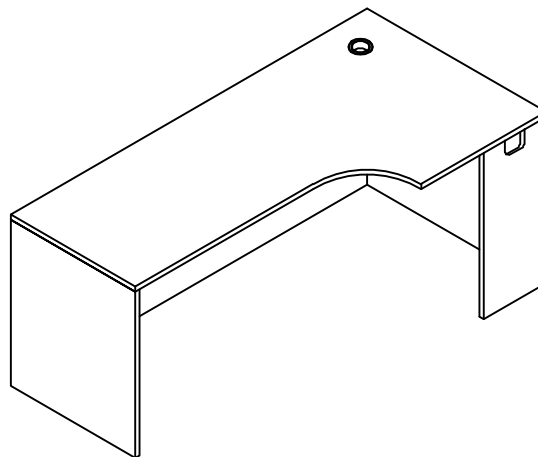
Thank you for purchasing the Performance Porkchop Credenza.  
Please follow these instructions for easy assembly.

1  Cam Lock 16 Pcs	2  Klix Cam 16 Pcs	3  Housing Cap (Long) 9 Pcs	4  Housing Cap (Short) 7 Pcs	5  Adjustable Glide 5 Pcs	6  6 Hole L-Bracket 5 Pcs	7  Screw #8 x 3/8" 30 Pcs	8  M4 x 85 Allen-Key 1 Pc
--	--	--	---	--	--	--	--

A  Top Panel	B  Back Panel	C  Side Panel #A	D  Side Panel #B	E  Side Panel #C
---	--	---	--	---

**KLIX CAM INSTRUCTIONS**

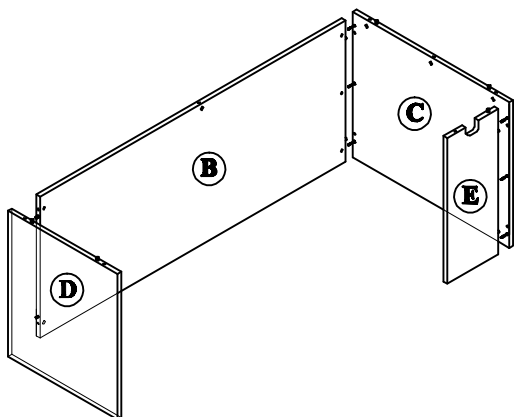
1  Line up Cam Lock, turn clockwise.	2  Insert the cam with the arrow pointing towards the hole in the edge.	3  Insert the Cam Lock into Klix Cam. Turn Klix Cam to lock.
---	--	--



**IMPORTANT !!**

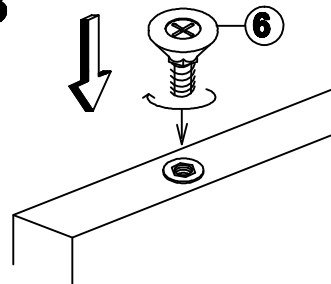
- Place all wooden parts on a clean and smooth surface such as a rug or carpet to avoid the parts from being scratched.
- Check that you have all parts and hardware.
- Remove all wrapping materials, including staples & packing straps before you start to assemble.
- Do not tighten any screws or bolts until the unit is completely assembled.
- Keep all hardware parts out of reach of children.

**1**



**Attach the 3 Side Panel(C,D,E) to the Back Panel(B) by using Cam Lock(1) and Klx Cam(2).**

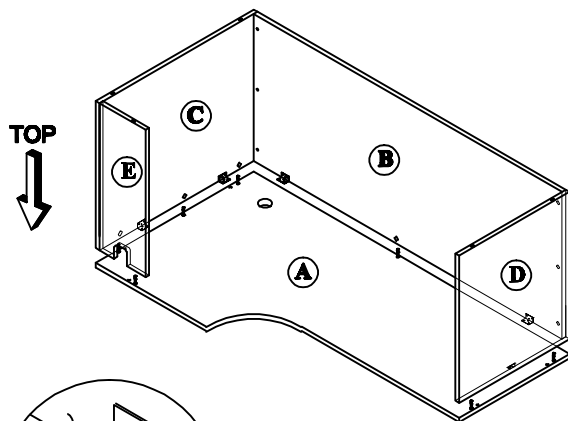
**3**



**Screw Adjustable Glide(6) into bottom of Side Panel.**

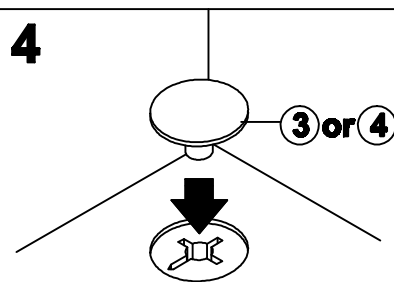
**2**

**Attach Back Panel(B) and 3 Side Panel(C,D,E) to the Top Panel(A) by using Cam Lock(1) and Klx Cam(2).**



**Attach the L-Bracket(6) to Top Panel(A), Back Panel(B) and Side Panel(C,D) as shown. Tighten Screw(7) securely.**

**4**



**Attach Housing Cap(3) or (4) to all Klx Cam(2) by pushing neck through center of cam.**