











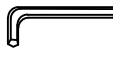
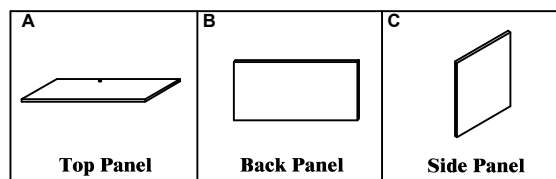


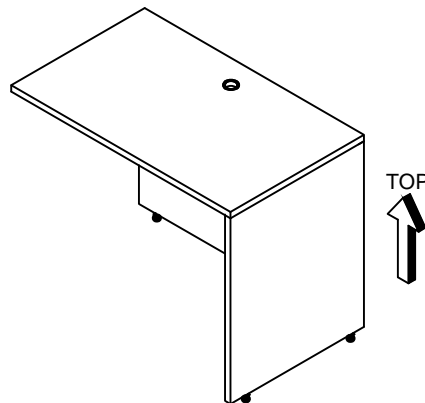
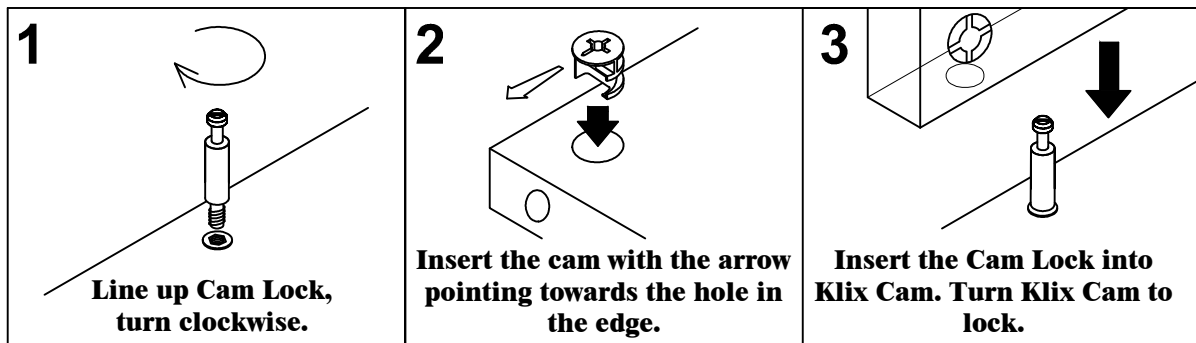
Please follow these instructions for easy assembly.

1  Cam Lock 8 Pcs	2  Klix Cam 8 Pcs	3  Housing Cap 8 Pcs	4  Adjustable Glide 4 Pcs	5  6 Hole L-Bracket 3 Pcs	6  Screw #6 x 5/8" 48 Pcs	7  I-Bracket 3 Pcs
---	---	---	--	---	--	--

8  3" L-Bracket With 6 Hole 2 Pcs	9  Ø15mm Hole Plug 3 Pcs	10  Ø8mm Hole Plug 7 Pcs	11  D-Nut Cap M6 3 Pcs	12  M8 x 30 Wood Dowel 2 Pcs	13  M4 x 65 Allen-Key 1 Pc
--	---	---	--	---	---



KLIX CAM INSTRUCTIONS

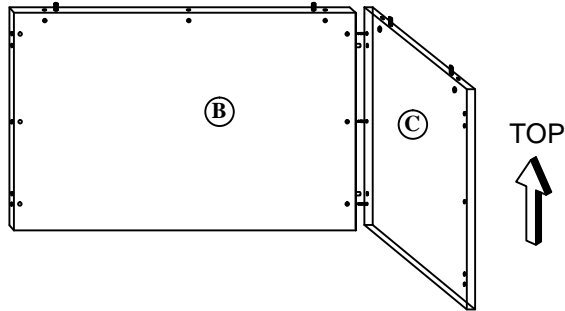


IMPORTANT !

- Place all wooden parts on a clean and smooth surface such as a rug or carpet to avoid the parts from being scratched.
- Check that you have all parts and hardware.
- Remove all wrapping materials, including staples & packing straps before you start to assemble.
- Do not tighten any screws or bolts until the unit is completely assembled.
- Keep all hardware parts out of reach of children.

• When using these models in a borders setup, first you need to layout all posts and panels before attaching to work surfaces. DO NOT use template.

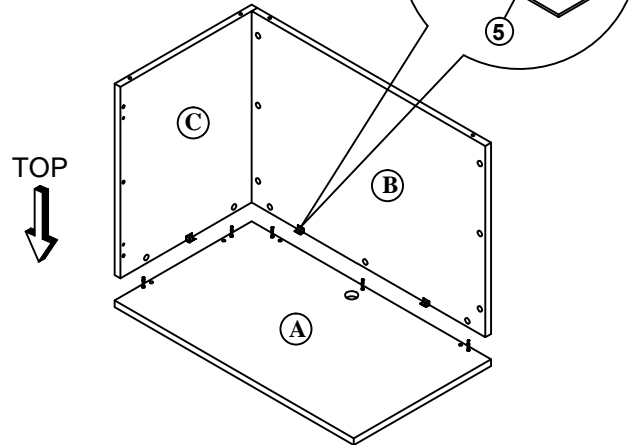
1



Attach Back Panel(B) to Side Panel(C) by using Wood Dowel(12), Cam Lock(1) and Klix Cam(2).

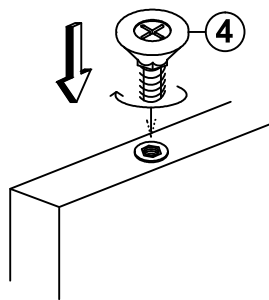
2

Attach the L-Bracket(5) to Back Panel(B) and Side Panel(C) as shown. Tighten Screws(6) securely.



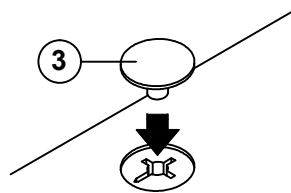
Attach the Back Panel(B) and Side Panel(C) to Top Panel(A) by using Cam Lock(1) and Klix Cam(2).

3



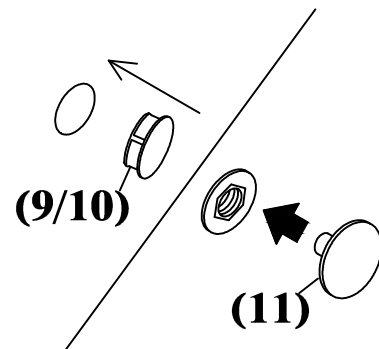
Screw Adjustable Glide(4) into bottom of Back Panel(B) and Side Panel (C).

4



Attach Housing Cap (3) to all Klix Cam(2) by pushing neck thought center of cam.

5



Insert the Hole Plug (9/10) and D-nut Cap (11) to all drill hole of the other edge of Side Panel (C) and Back Panel (B) which the hole are not in use.

Additional Hardware.

Please note that Performance Office Furnishings has enclosed additional hardware to allow you to attach this return to other pieces.