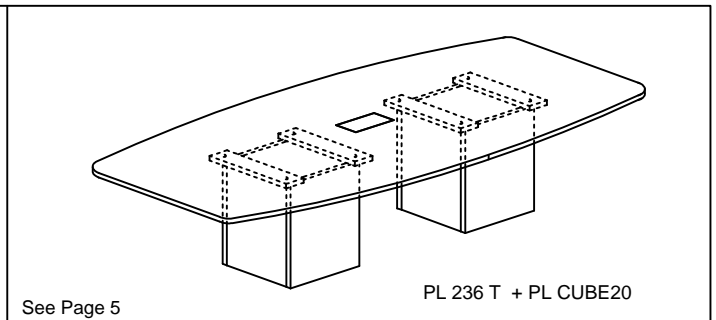
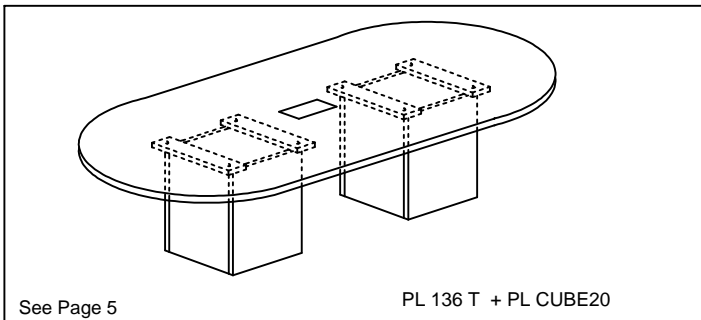
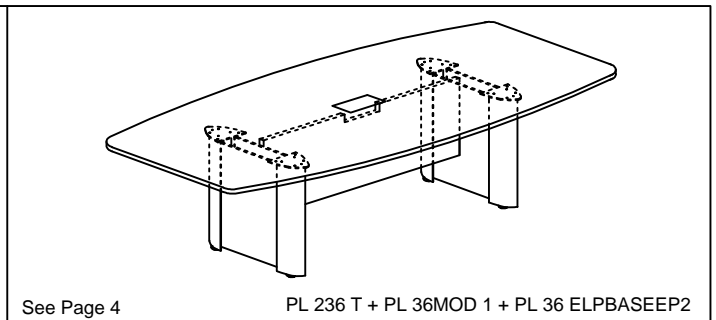
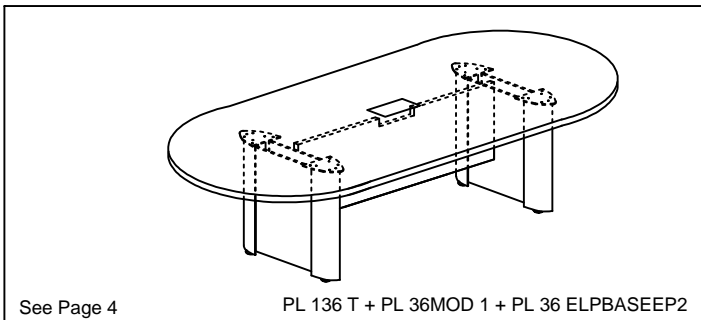
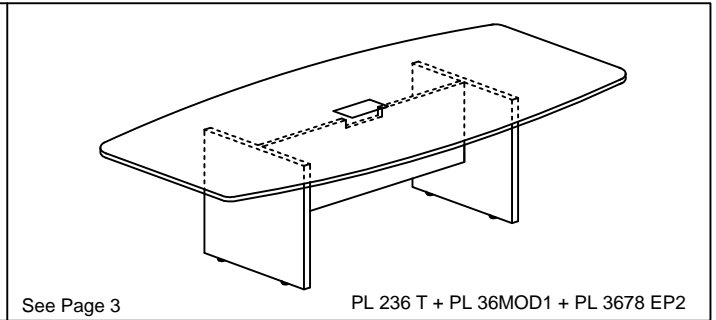
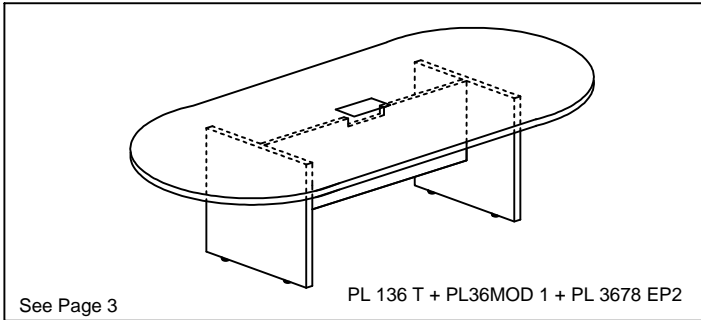
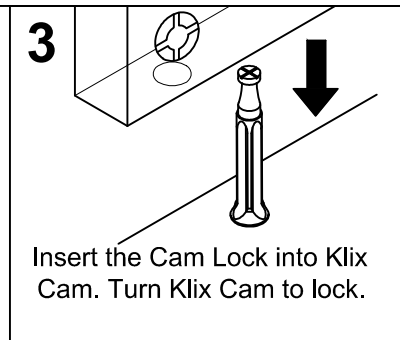
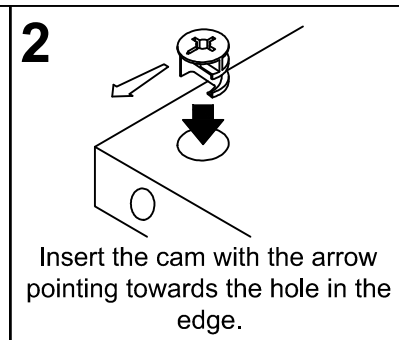
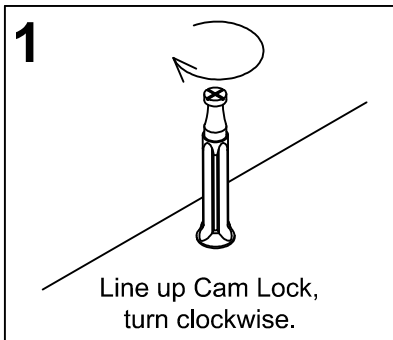


# RACE TRACK/BOAT SHAPE CONFERENCE TABLE

Thank you for purchasing the Performance Race Track / Boat Shape Conference Table.  
Please follow these instructions for easy assembly.



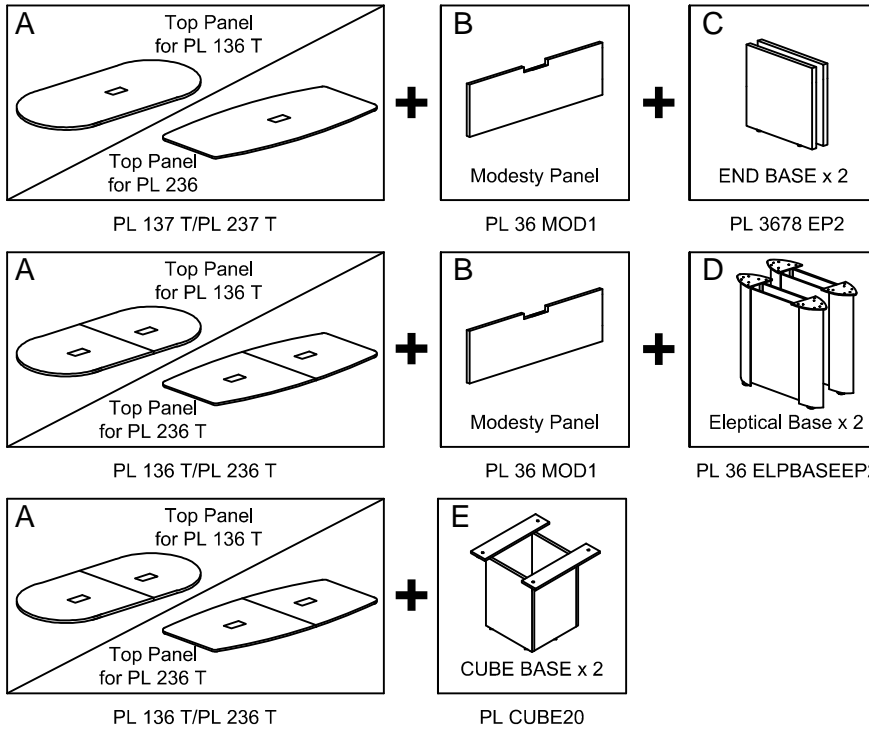
## KLIX CAM INSTRUCTIONS



### IMPORTANT NOTE :

- Place all wooden parts on a clean and smooth surface such as a rug or carpet to avoid the parts from being scratched.
- Check to be sure that you have all parts and hardware.
- Remove all wrapping materials, including staples & packing straps before you start to assemble.
- Do not tighten all screws/bolts until all completely assembled.
- Keep all hardware parts out of reach of children.

# RACE TRACK/BOAT SHAPE CONFERENCE TABLE



## HARDWARE PACK PL 136 T/PL 236 T

<b>A1</b>  6 Hole L-Bracket 4 Pcs	<b>A2</b>  Screw #6 x 5/8" 24 Pcs
--	--

## HARDWARE PACK PL 3678 EP2

<b>C1</b>  Cam Lock 10 Pcs	<b>C2</b>  Klix Cam 10 Pcs	<b>C3</b>  Housing Cap (Long) 6 Pcs	<b>C4</b>  Housing Cap (Short) 4 Pcs	<b>C5</b>  Adjustable Glide 4 Pcs	<b>C6</b>  6 Hole L-Bracket 4 Pcs	<b>C7</b>  Screw #6 x 5/8" 24 Pcs	<b>C8</b>  M4 x 65 Allen-Key 1 Pc
-------------------------------------	-------------------------------------	--	---	--	--	--	--

## HARDWARE PACK PL 36 ELPBASEEP2

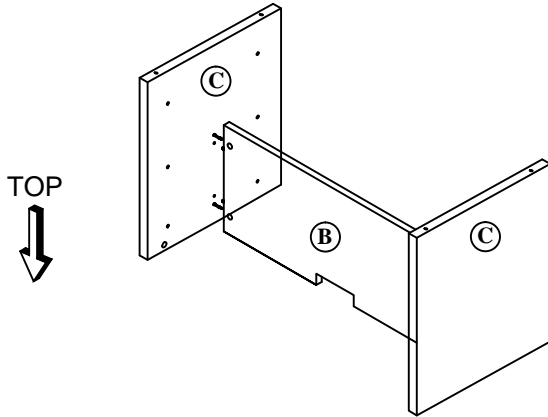
<b>D1</b>  Cam Lock 6 Pcs	<b>D2</b>  Klix Cam 6 Pcs	<b>D3</b>  Housing Cap (Long) 6 Pcs	<b>D4</b>  Adjustable Glide 4 Pcs	<b>D5</b>  6 Hole L-Bracket 4 Pcs	<b>D6</b>  Screw #6 x 5/8" 24 Pcs	<b>D7</b>  M4 x 65 Allen-Key 1 Pc	<b>D8</b>  CSK Scw M3.5 x 20MM 16 Pcs
------------------------------------	------------------------------------	--	--	--	--	--	--

## HARDWARE PACK PL CUBE20

<b>E1</b>  Cam Lock 16 Pcs	<b>E2</b>  Klix Cam 16 Pcs	<b>E3</b>  Housing Cap (Long) 16 Pcs	<b>E4</b>  JCBC Screw M6 x 40mm = 4pcs Washer = 4pcs	<b>E5</b>  Adjustable Glide 6 Pcs	<b>E6</b>  M4 x 65 Allen-Key 1 Pc
-------------------------------------	-------------------------------------	---	---	--	--

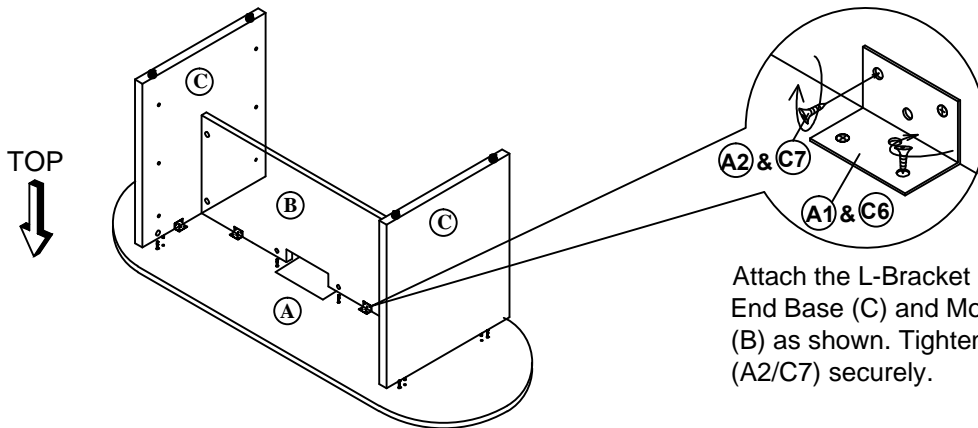
# RACE TRACK/BOAT SHAPE CONFERENCE TABLE

1



Attach the two End Base (C) to Modesty Panel (B) by using Cam Lock (C1) and Klix Cam (C2).

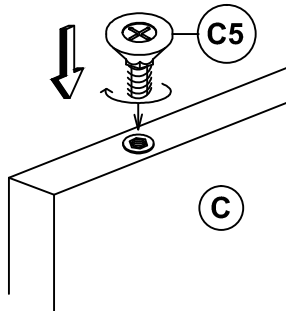
2



Attach the L-Bracket (A1/C6) to End Base (C) and Modesty Panel (B) as shown. Tighten Screws (A2/C7) securely.

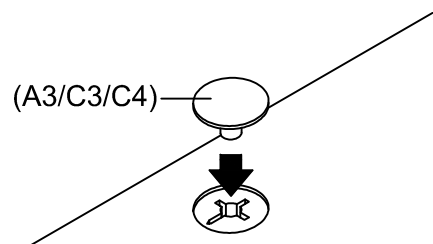
Attach the body to Top Panel (A) by using Cam Lock (C1) and Klix Cam (C2).

3



Screw Adjustable Glide (C5) into bottom of End Base (C).

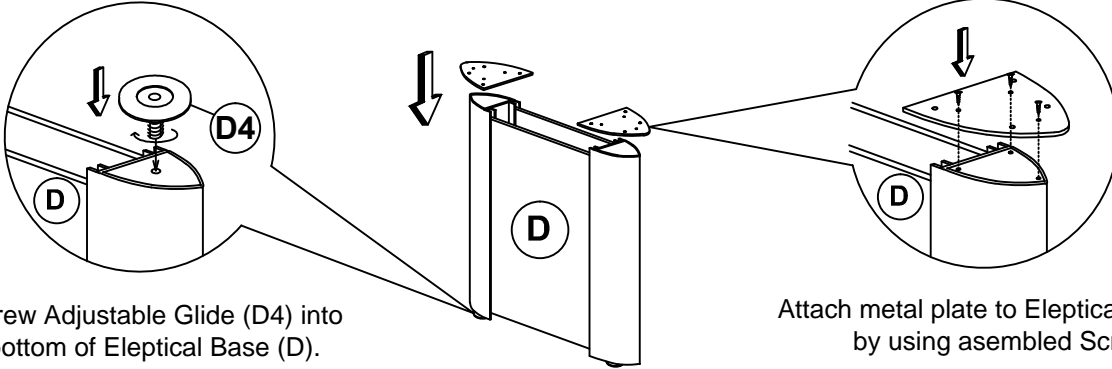
4



Attach Housing Cap (A3/C3/C4) to all Klix Cam (A2/C2) by pushing neck through center of cam.

# RACE TRACK/BOAT SHAPE CONFERENCE TABLE

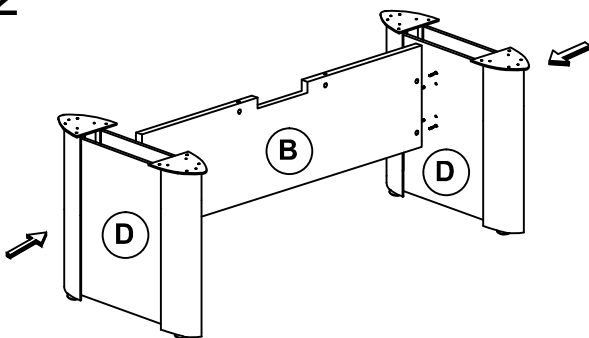
1



Screw Adjustable Glide (D4) into bottom of Eplectal Base (D).

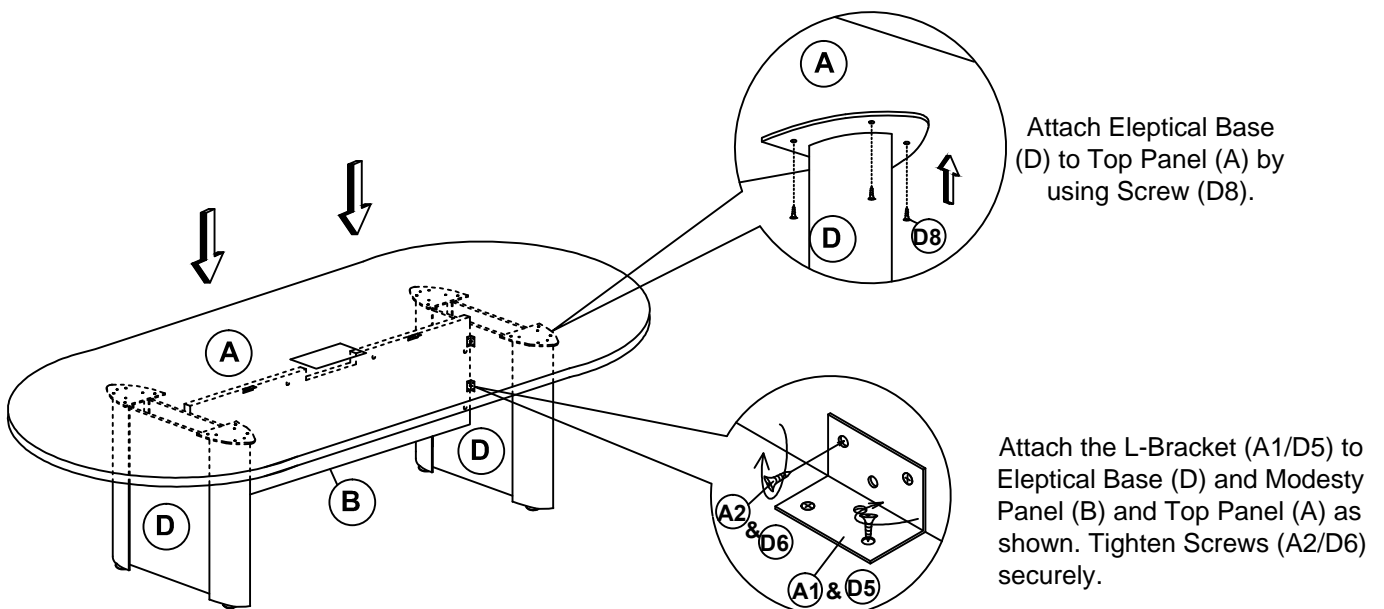
Attach metal plate to Eplectal Base (D) by using assembled Screw.

2



Attach 2 Pcs Eplectal Base (D) to Modesty Panel (B) by using Cam Lock (D1) and Klix Cam (D2).

3



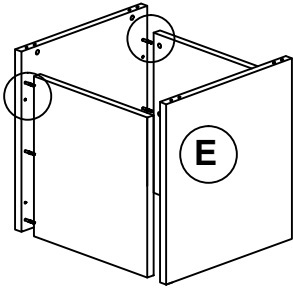
Attach Top Panel (A) to Modesty Panel (B) by using Cam Lock (D1) and Klix Cam (D2).

Attach Eplectal Base (D) to Top Panel (A) by using Screw (D8).

Attach the L-Bracket (A1/D5) to Eplectal Base (D) and Modesty Panel (B) and Top Panel (A) as shown. Tighten Screws (A2/D6) securely.

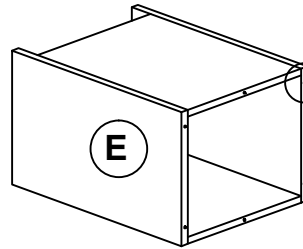
# RACE TRACK/BOAT SHAPE CONFERENCE TABLE

1



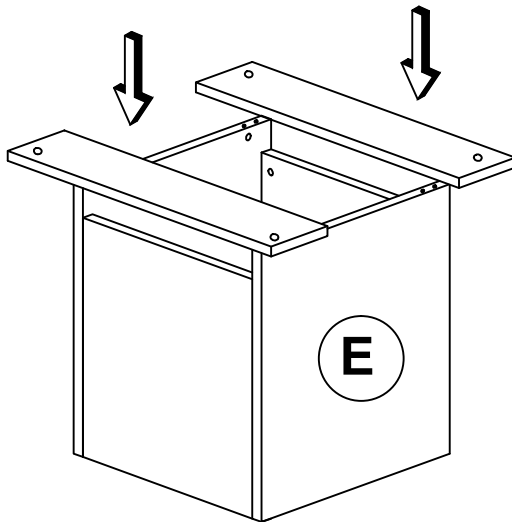
Attach Cube Base (E) by using Cam Lock (E1) and Klix Cam (E2).

2



Screw Adjustable Glide (E5) into bottom of End Base (E).

3



Attach Cube Base Support (E) by using Cam Lock (E1) and Klix Cam (E2).

5

Attach Top Panel (A) to Cube Base (E) by using JCBC Screw (E4) and tighten with Allen Key (E6).

