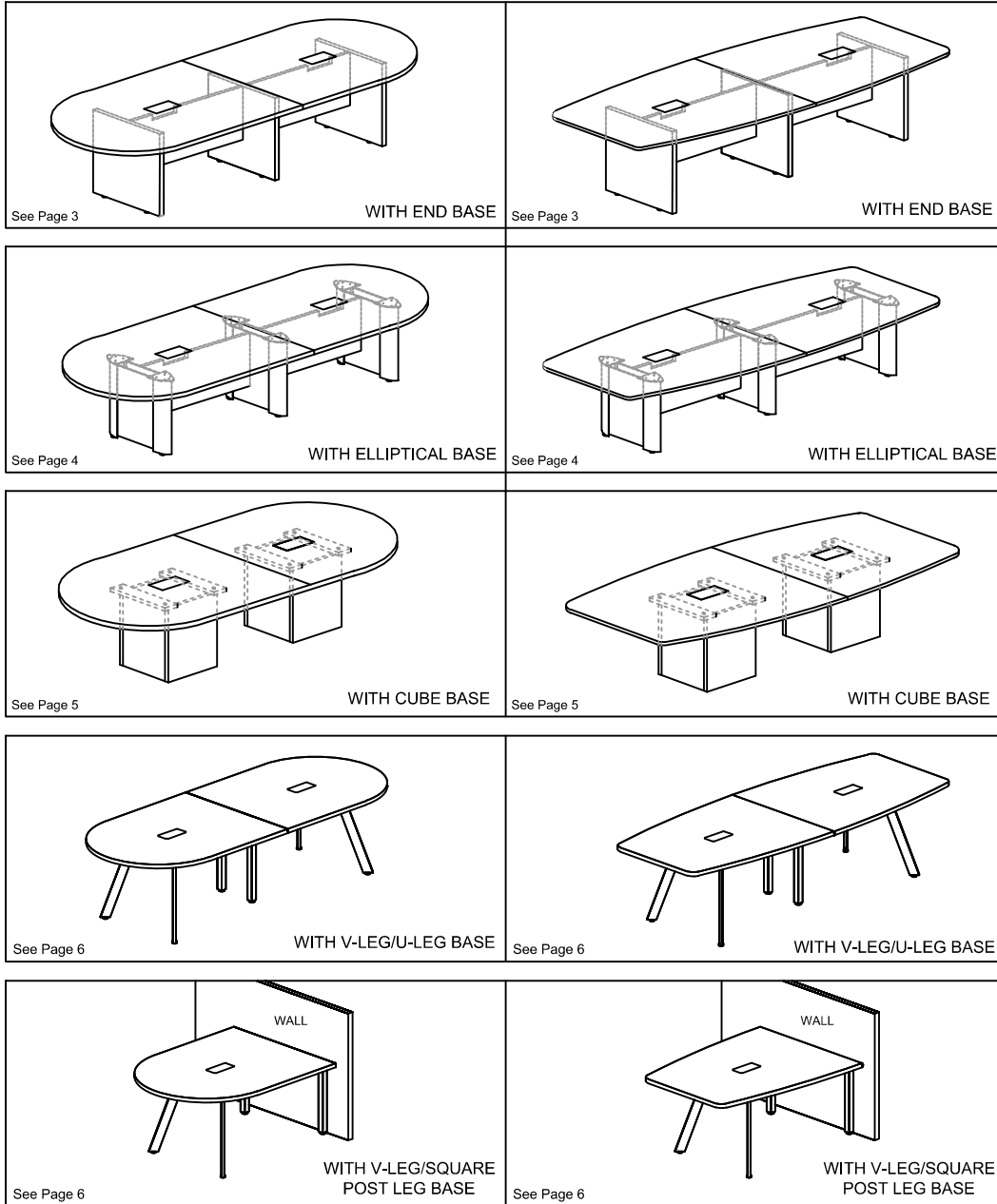
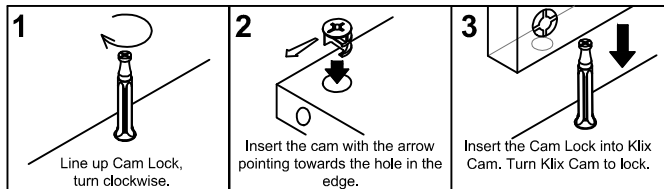


ASSEMBLY INSTRUCTION FOR 12' RACE TRACK/BOAT SHAPE CONFERENCE TABLE

These instructions apply to all models shown below.



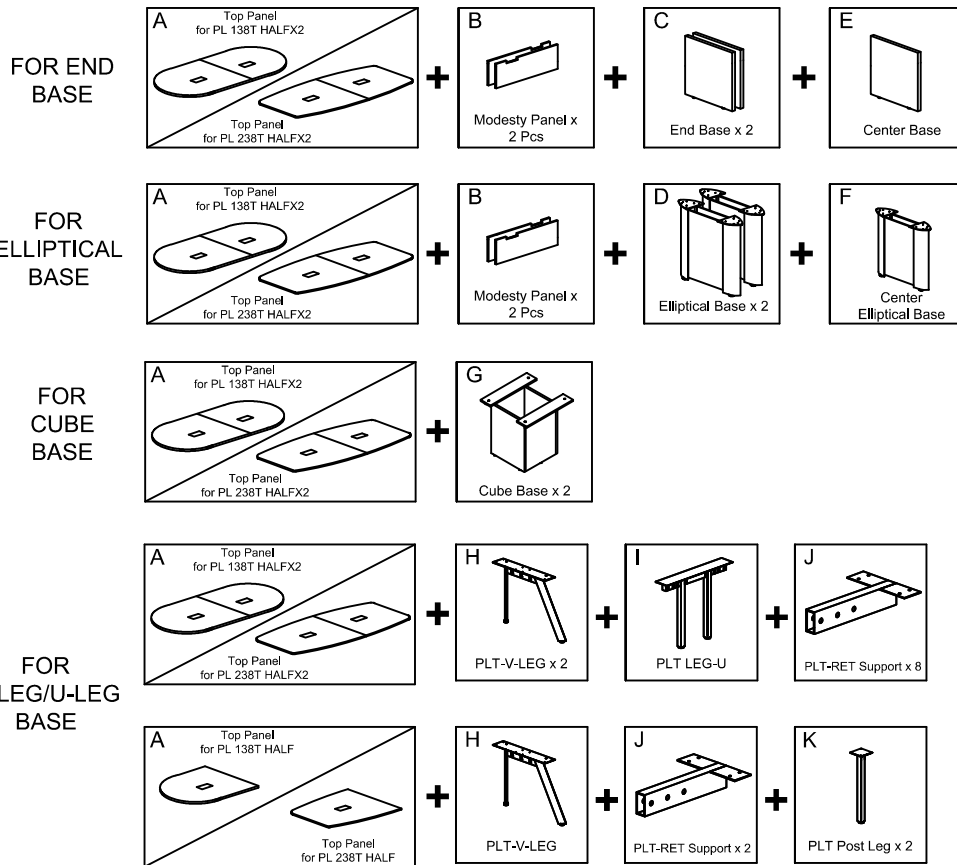
KLIX CAM INSTRUCTIONS



IMPORTANT NOTE :

- Place all wooden parts on a clean, smooth surface to prevent the parts from being scratched.
- Check to be sure that you have all parts and hardware.
- Remove all wrapping materials, including staples & packing straps before you start to assemble.
- Do not tighten all screws/bolts until all completely assembled.
- Keep all hardware parts out of reach of children.

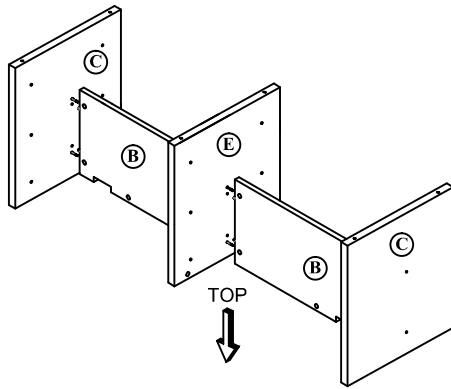
ASSEMBLY INSTRUCTION FOR 12' RACE TRACK/BOAT SHAPE CONFERENCE TABLE



INCLUDED WITH TABLE TOP	A1 6 Hole L-Bracket 8 Pcs	A2 Flat-Bracket 2 Pcs	A3 Screw #6 x 3/4" 60 Pcs								
INCLUDED WITH END BASES	C1 Cam Lock 10 Pcs	C2 Klix Cam 10 Pcs	C3 Housing Cap (Long) 6 Pcs	C4 Housing Cap (Short) 4 Pcs	C5 Adjustable Glide 4 Pcs	C6 6 Hole L-Bracket 4 Pcs	C7 Screw #6 x 3/4" 24 Pcs	C8 M4 x 65 Allen-Key 1 Pc			
INCLUDED WITH ELLIPTICAL BASES	D1 Cam Lock 6 Pcs	D2 Klix Cam 6 Pcs	D3 Housing Cap (Long) 6 Pcs	D4 Adjustable Glide 4 Pcs	D5 6 Hole L-Bracket 4 Pcs	D6 Screw #6 x 3/4" 24 Pcs	D7 M4 x 65 Allen-Key 1 Pc	D8 CSK Screw M3.5 x 20MM 16 Pcs			
INCLUDED WITH CENTER END BASE	E1 Cam Lock 4 Pcs	E2 Klix Cam 4 Pcs	E3 Housing Cap (Long) 4 Pcs	E4 Adjustable Glide 2 Pcs	E5 6 Hole L-Bracket 4 Pcs	E6 Screw #6 x 3/4" 24 Pcs	E7 M4 x 65 Allen-Key 1 Pc	E8 CSK Screw M3.5 x 20MM 6 Pcs			
INCLUDED WITH CENTER ELLIPTICAL BASE	F1 Cam Lock 4 Pcs	F2 Klix Cam 4 Pcs	F3 Housing Cap (Long) 4 Pcs	F4 Adjustable Glide 2 Pcs	F5 6 Hole L-Bracket 4 Pcs	F6 Screw #6 x 3/4" 24 Pcs	F7 M4 x 65 Allen-Key 1 Pc	F8 CSK Screw M3.5 x 20MM 6 Pcs			
INCLUDED WITH CUBE BASE	G1 Cam Lock 16 Pcs	G2 Klix Cam 16 Pcs	G3 Housing Cap (Long) 16 Pcs	G4 JCBC Screw #6 x 40mm = 4pcs Washer = 4pcs	G5 Adjustable Glide 6 Pcs	G6 M4 x 65 Allen-Key 1 Pc					
INCLUDED WITH V-LEG/U-LEG/SQUARE POST LEG BASES	H1 #6 x 16mm PHH Cross Recess Screw 4 Pcs	H2 Screw #4 x 16mm 16Pcs	H3 M4 x 65 Allen-Key 1 Pc	I1 #6 x 16mm PHH Cross Recess Screw 4 Pcs	I2 Screw #4 x 16mm 16Pcs	I3 M4 x 65 Allen-Key 1 Pc					
	J1 Screw #4 x 16mm 32Pcs	K1 Screw #4 x 16mm 8Pcs									

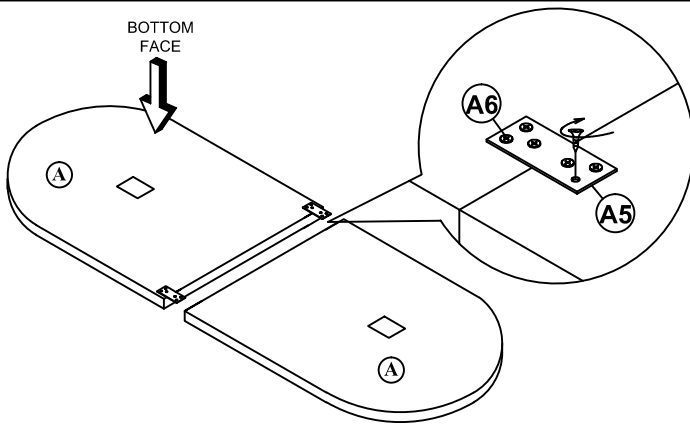
ASSEMBLY INSTRUCTION FOR 12' RACE TRACK/BOAT SHAPE CONFERENCE TABLE

1



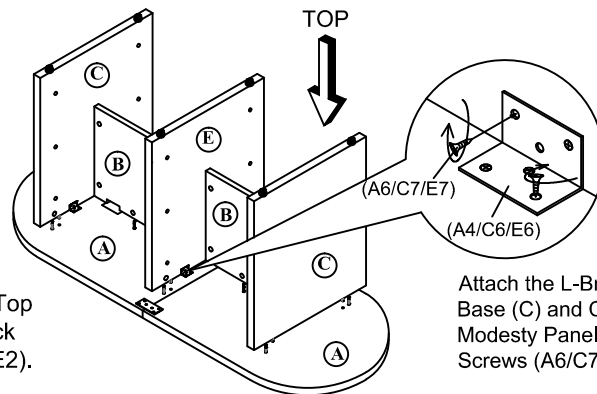
Attach the two End Base (C) and Center Base (E) to Modesty Panel (B) by using Cam Lock (C1) and Klix Cam (C2).

2



Attach the Flat-Bracket (A2) to two Top Panel (A) as shown. Tighten Screws (A3) securely.

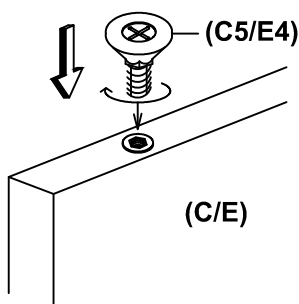
3



Attach the body (B/C/E) to Top Panel (A) by using Cam Lock (C1/E1) and Klix Cam (C2/E2).

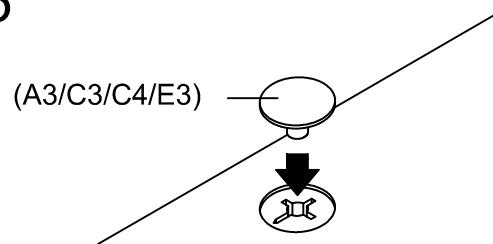
Attach the L-Bracket (A4/C6/E6) to End Base (C) and Center Base (E) and Modesty Panel (B) as shown. Tighten Screws (A6/C7/E7) securely.

4



Screw Adjustable Glide (C5/E4) into bottom of End Base (C) & Center Base (E).

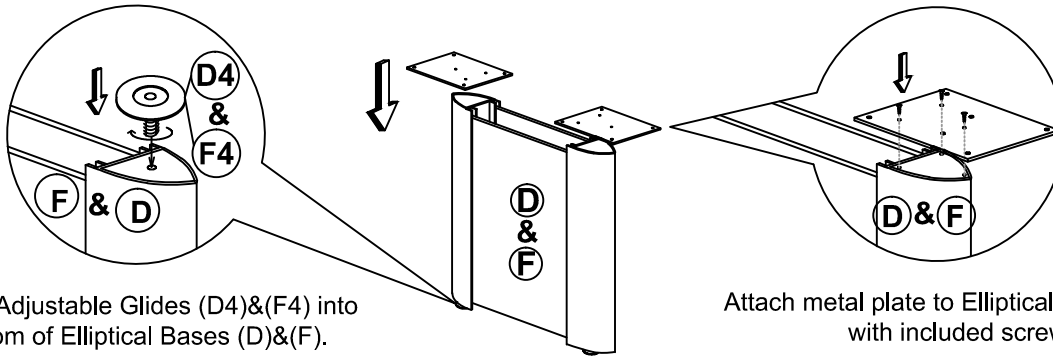
5



Attach Housing Cap (A3/C3/C4/E3) to all Klix Cam (A2/C2/E2) by pushing neck through center of cam.

ASSEMBLY INSTRUCTION FOR 12' RACE TRACK/BOAT SHAPE CONFERENCE TABLE

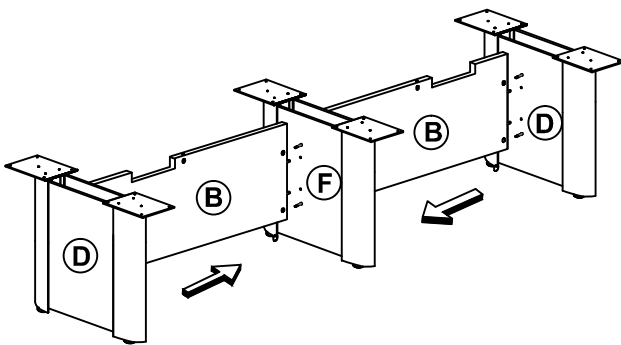
1



Screw Adjustable Glides (D4)&(F4) into bottom of Elliptical Bases (D)&(F).

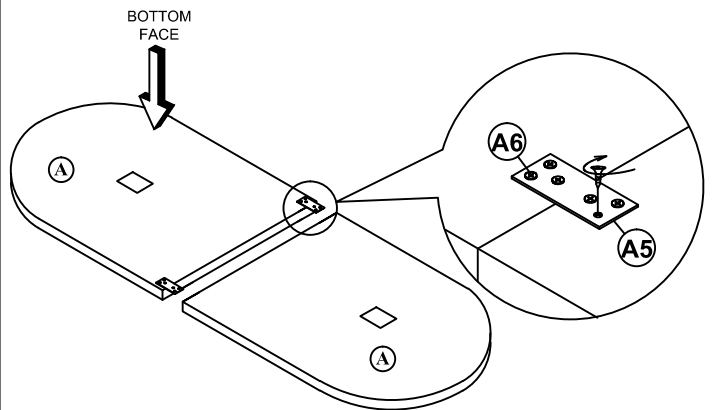
Attach metal plate to Elliptical Base (D)&(F) with included screws.

2



Attach Elliptical Base (D) and Center Elliptical Base (F) to Modesty Panel (B) by using Cam Lock (D1/F1) and Klix Cam (D2/F2).

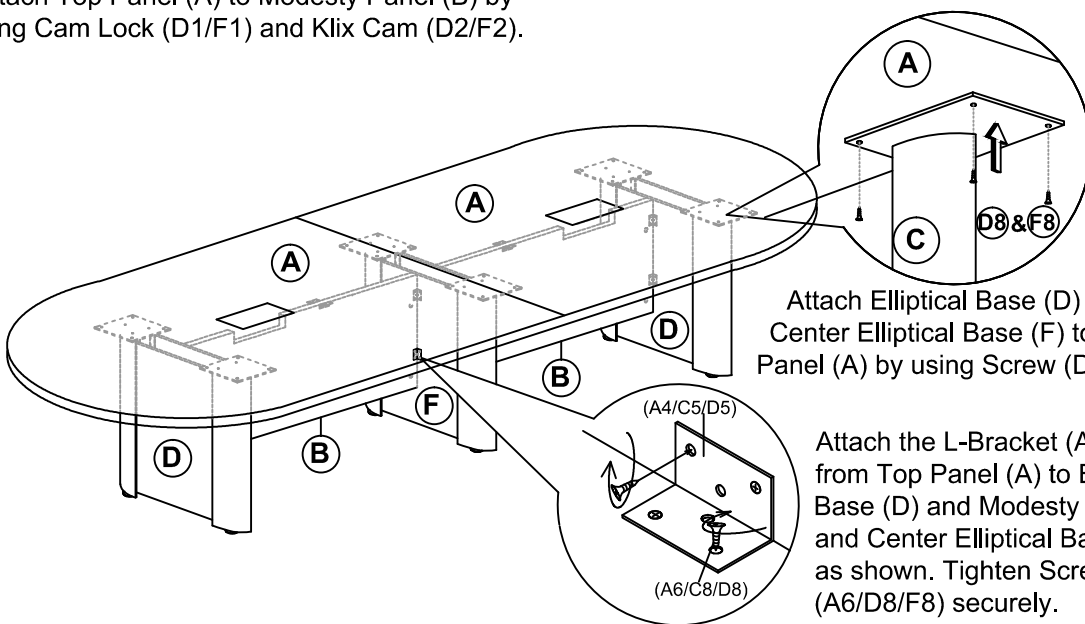
3



Attach the Flat-Bracket (A5) to two Top Panel (A) as shown. Tighten Screws (A6) securely.

4

Attach Top Panel (A) to Modesty Panel (B) by using Cam Lock (D1/F1) and Klix Cam (D2/F2).

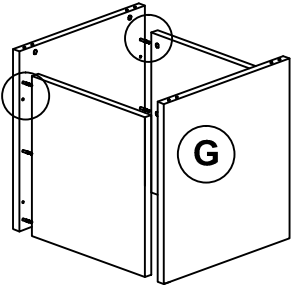


Attach Elliptical Base (D) and Center Elliptical Base (F) to Top Panel (A) by using Screw (D8/F8).

Attach the L-Bracket (A4/D5/F5) from Top Panel (A) to Elliptical Base (D) and Modesty Panel (B) and Center Elliptical Base (F) as shown. Tighten Screws (A6/D8/F8) securely.

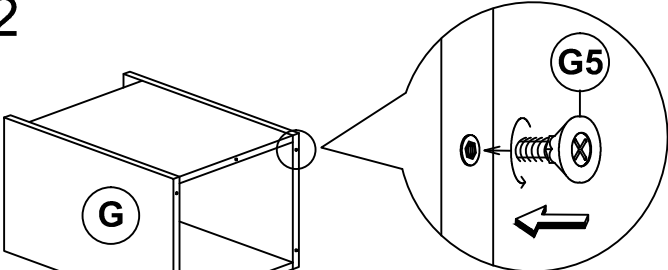
ASSEMBLING TABLE WITH V-LEG BASE

1



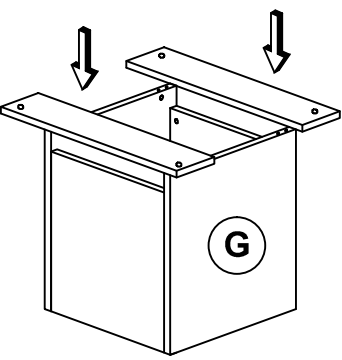
Attach Cube Base (G) by using Cam Lock (G1) and Klix Cam (G2).

2



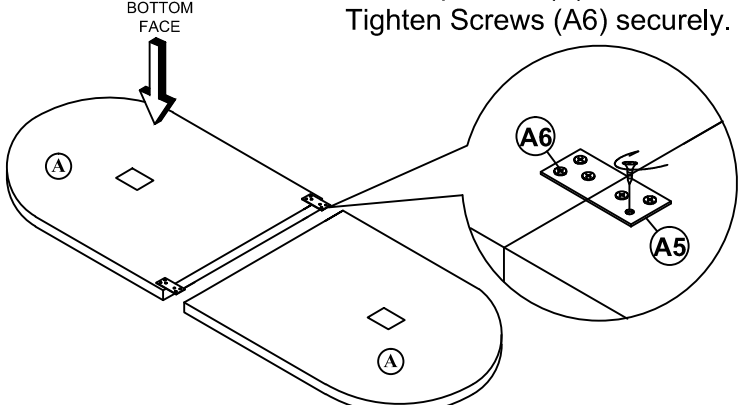
Screw Adjustable Glide (G5) into bottom of End Base (G).

3



Attach Cube Base Support (G) by using Cam Lock (G1) and Klix Cam (G2).

4

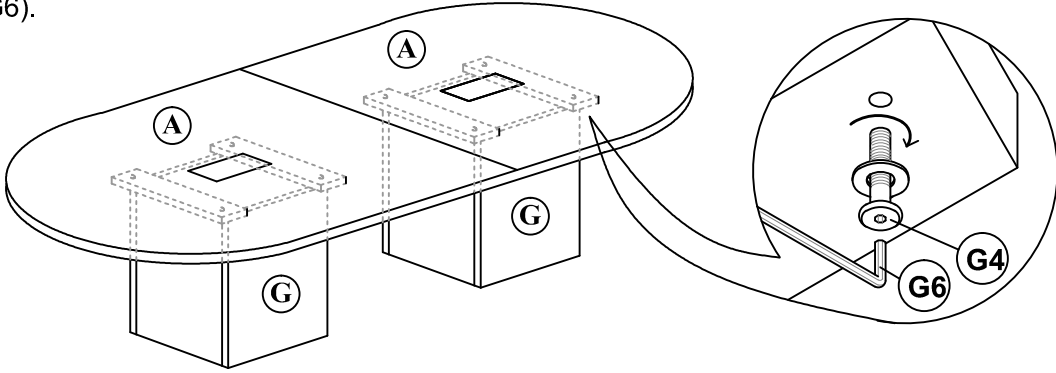


Attach the Flat-Bracket (A5) to two Top Panel (A) as shown. Tighten Screws (A6) securely.

Join the two Top Panels (A) by using KD Fitting (A1) and Klix Cam (A2). Attach the Fitting-GL Screw (A7) to two Top Panel (A) as shown by using Wrench (A8).

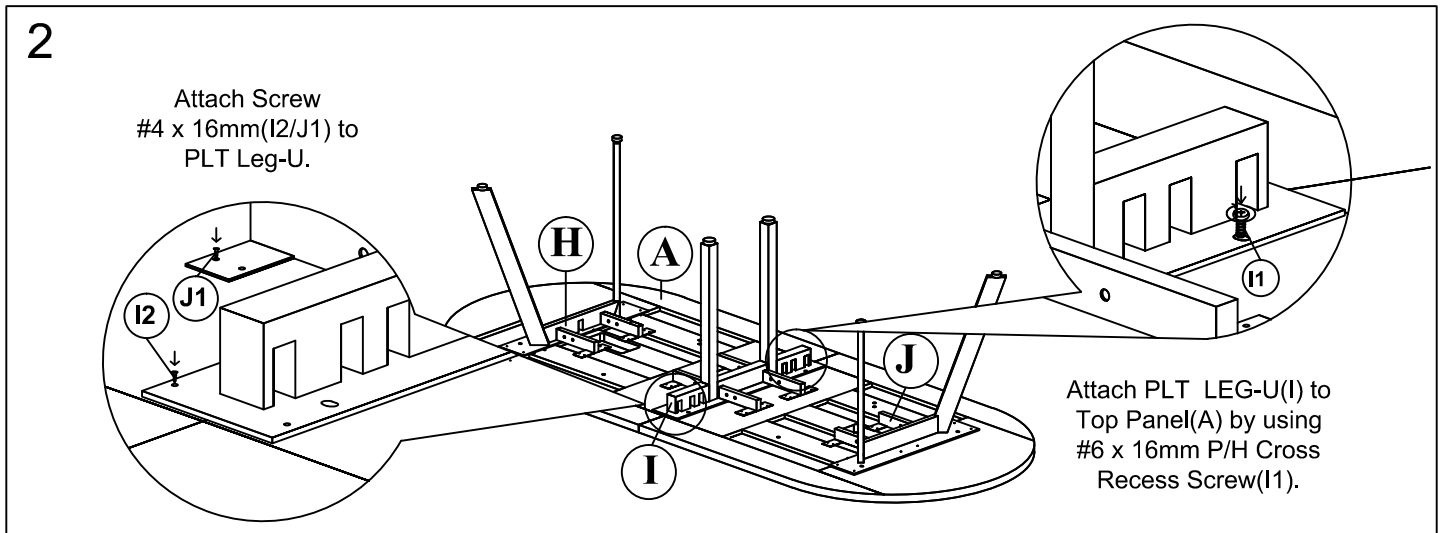
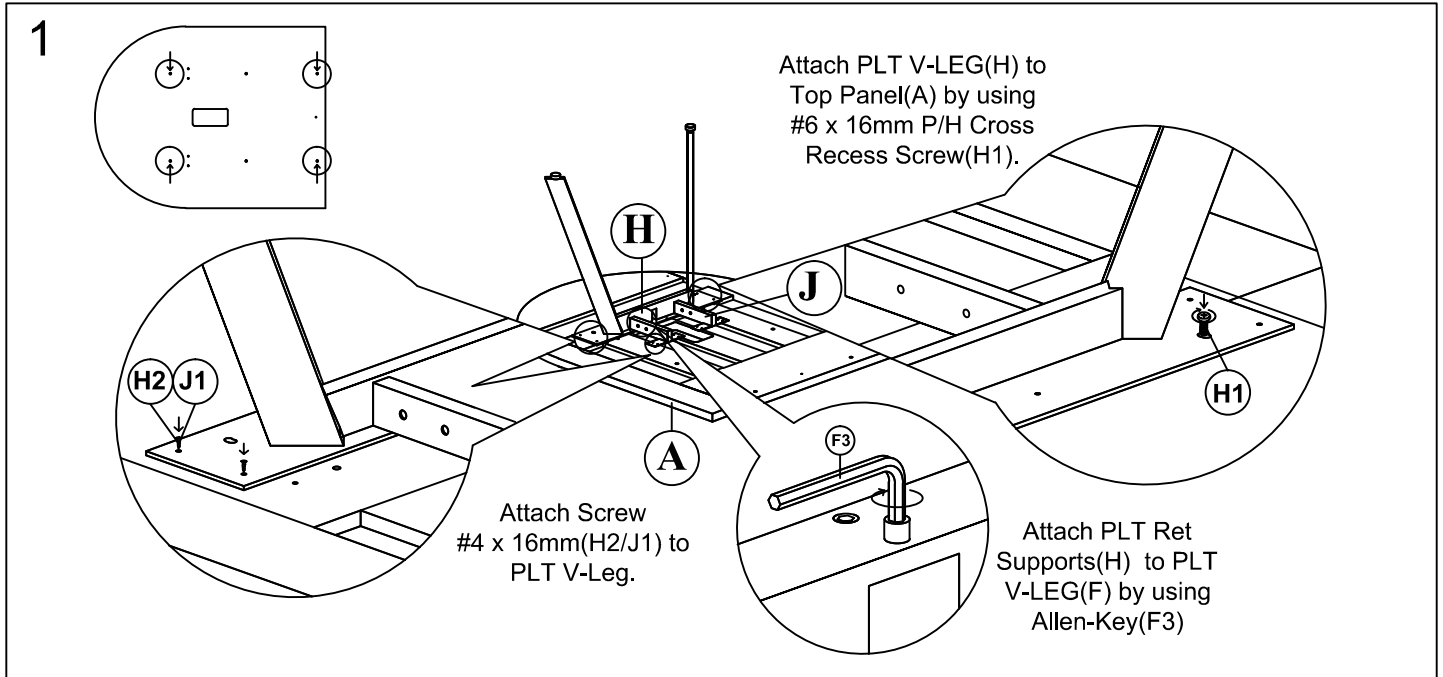
5

Attach Top Panel (A) to Cube Base (G) by using JCBC Screw (G4) and tighten with Allen Key (G6).



ASSEMBLY INSTRUCTION FOR 12' RACE TRACK/BOAT SHAPE CONFERENCE TABLE

ASSEMBLING TABLE WITH V-LEG BASE



ASSEMBLING TABLE WITH V-LEG BASE + SQUARE POST LEG

