

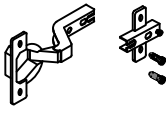

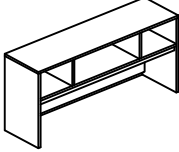
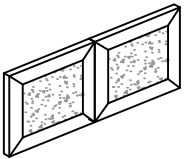
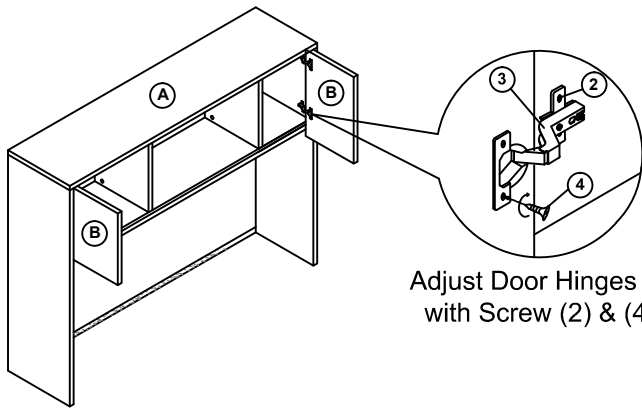


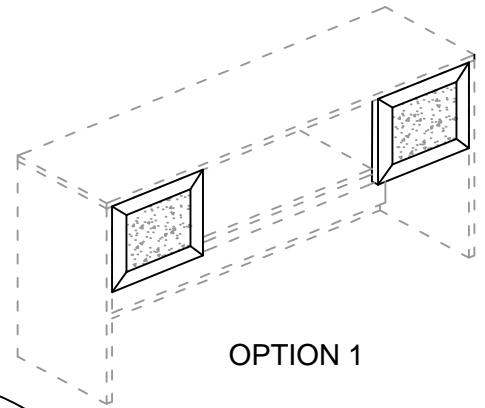
Thank you for purchasing the Performance Aluminium Glass Door Set.
Please follow these instructions for easy assembly.

1	2	3	4	A	B
					
Glass Pads 4 Pcs	Self-Drilling Screws 8 Pcs	Hinge Set 2 Pairs	Wood Screws 8 Pcs	OPEN HUTCH 1 Pcs	DOOR x 1 Set (L/R-2 Pcs Per Set)

OPTION 1

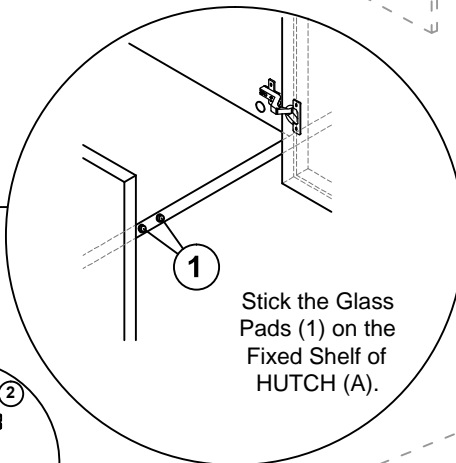


Adjust Door Hinges (3)
with Screw (2) & (4).



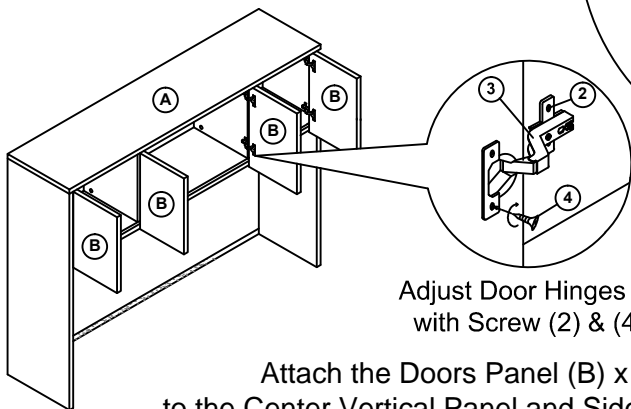
OPTION 1

Attach the Doors Panel (B) to the Side Panel of Open Hutch (A) with Hinges (3) and Screw (2) & (4).

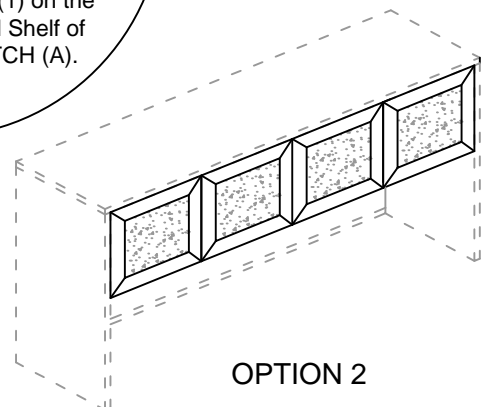


Stick the Glass Pads (1) on the Fixed Shelf of HUTCH (A).

OPTION 2



Adjust Door Hinges (3)
with Screw (2) & (4).



OPTION 2

Attach the Doors Panel (B) x 2 SETS to the Center Vertical Panel and Side Panel of Open Hutch (A) with Hinges (3) and Screw (2) & (4).

IMPORTANT !!

- Place all wooden parts on a clean and smooth surface such as a rug or carpet to avoid the parts from being scratched.
- Check that you have all parts and hardware.
- Remove all wrapping materials, including staples & packing straps before you start to assemble.
- Do not tighten any screws or bolts until the unit is completely assembled.
- Keep all hardware parts out of reach of children.