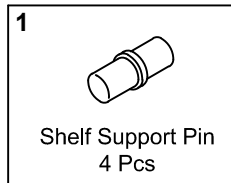
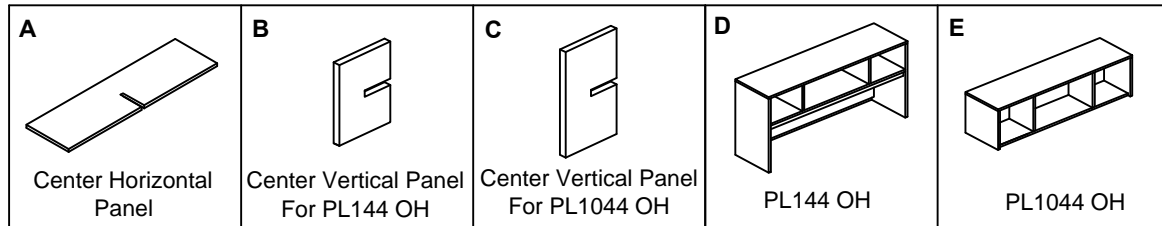


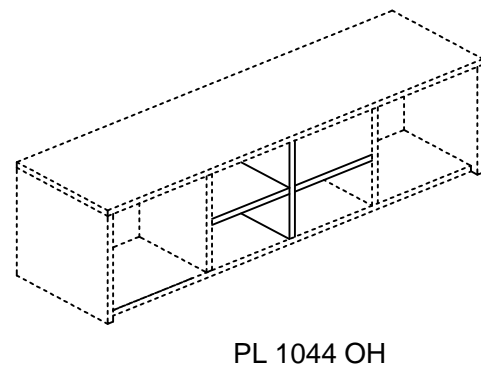
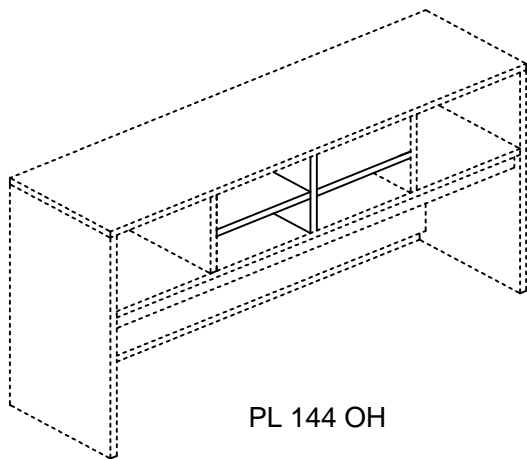
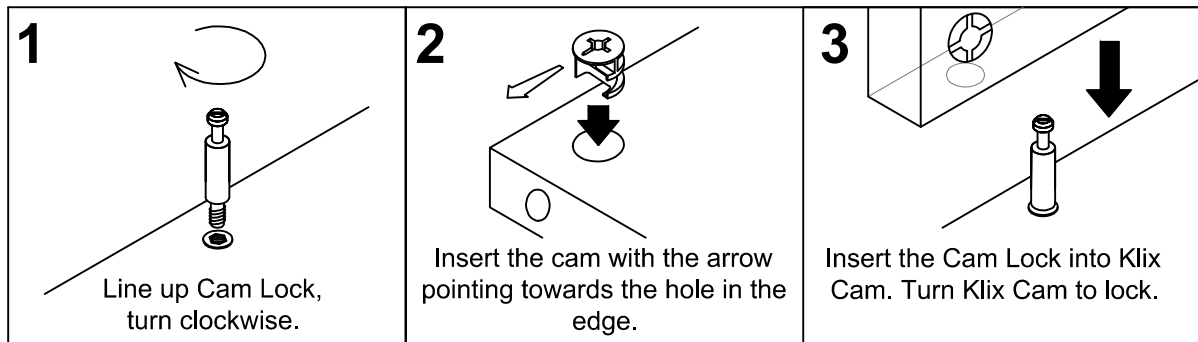
HARDWARE



COMPONENTS



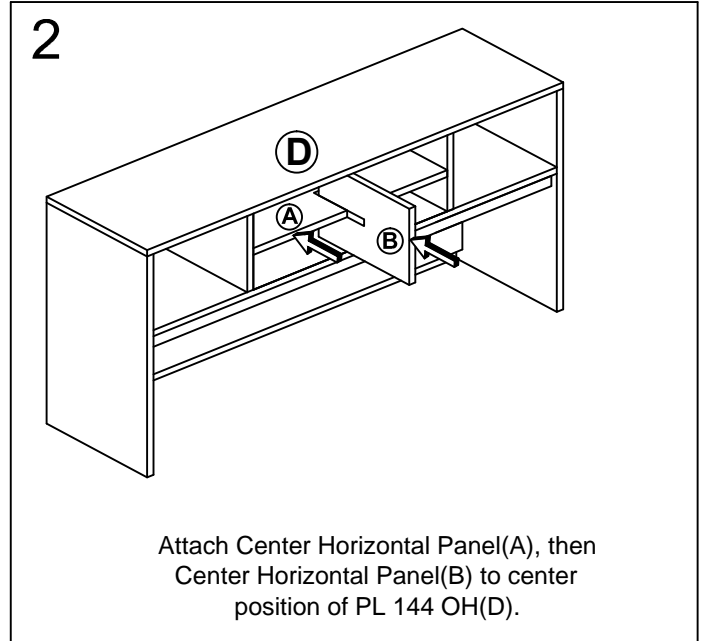
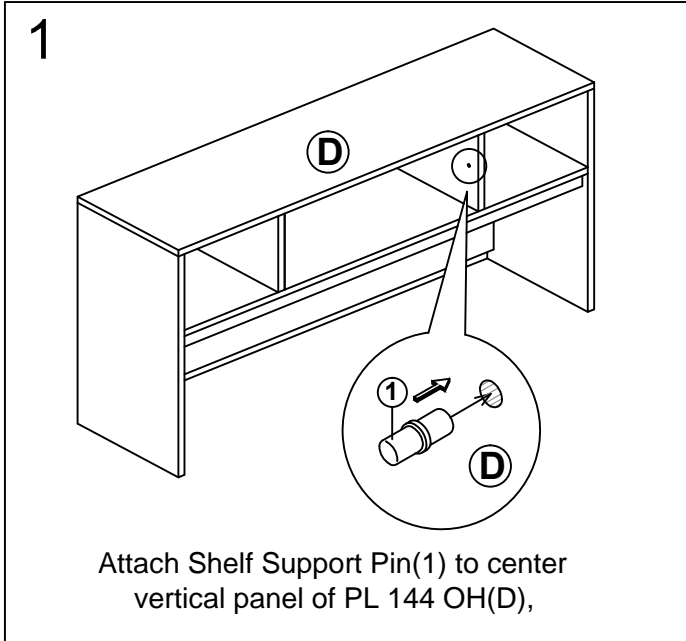
KLIX CAM INSTRUCTIONS



IMPORTANT :

- Place all wooden parts on a clean, smooth surface to prevent the parts from being scratched.
- Check that you have all parts and hardware.
- Remove all wrapping materials, including staples & packing straps before you start to assemble.
- Do not tighten any screws or bolts until the unit is completely assembled.
- Keep all hardware parts out of reach of children.

ASSEMBLING DIVIDER WITH PL144 OH



ASSEMBLING DIVIDER WITH PL1044 OH

