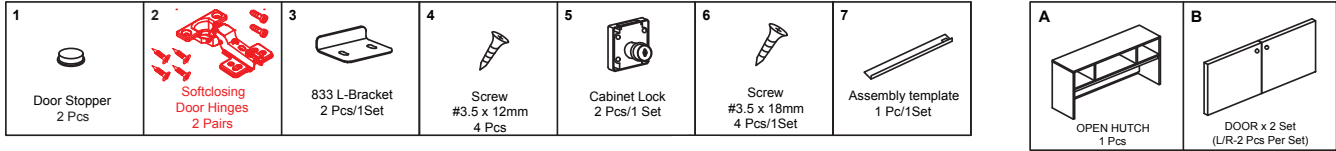


# ASSEMBLY INSTRUCTIONS

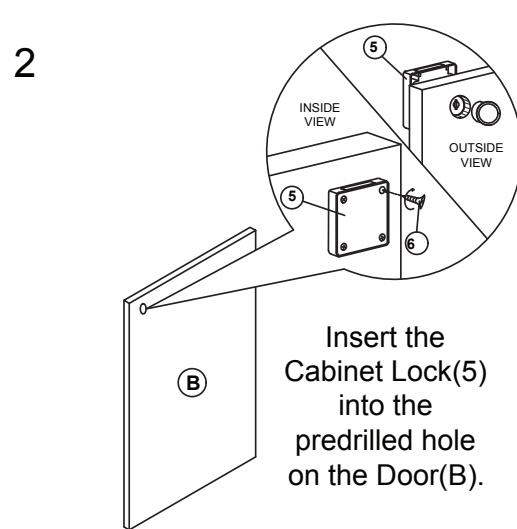
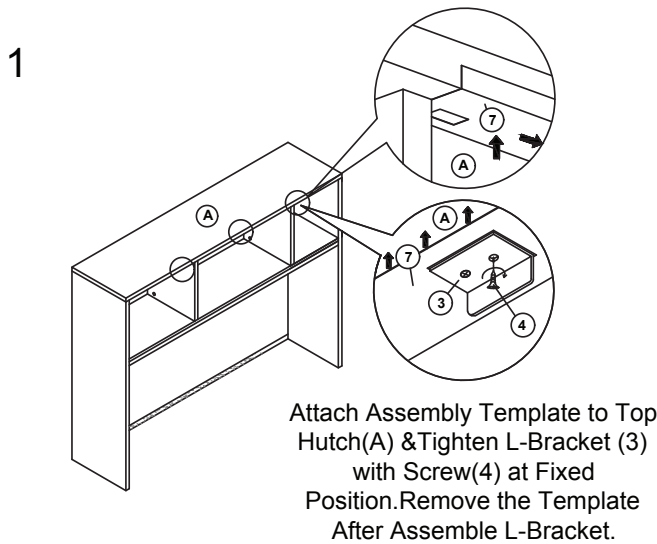
## MODEL: PL44LDLOCK

Before assembly, please remove all parts from the carton, verifying that you have the correct quantities, and read all the instructions.

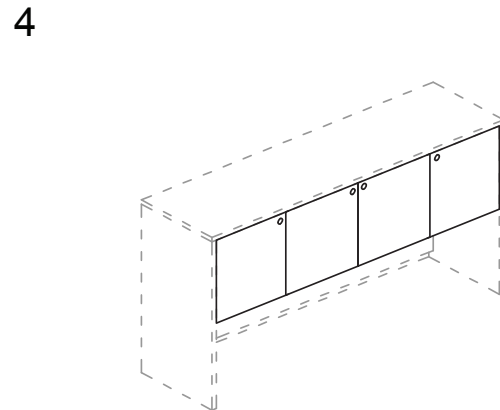
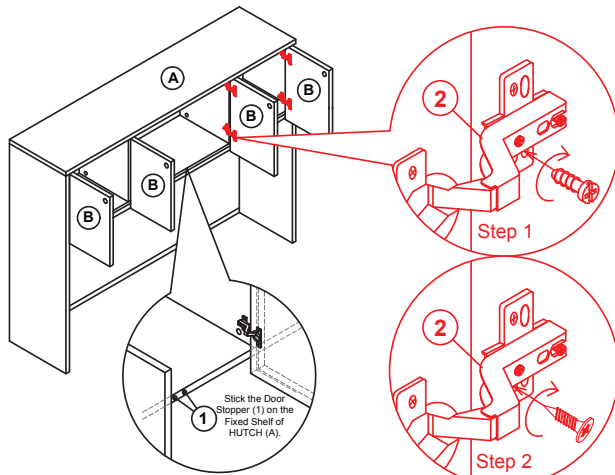
### IN THE CARTON:



### INSTRUCTIONS:



3 **Attach the Doors Panel (B) x 2 SETS to the Center Vertical Panel and Side Panel of OPEN HUTCH (A) with Hinges (2) as shown following step by step.**



### ⚠ ATTENTION ⚠

Do not tighten any screws or bolts until the unit is completely assembled.

Ensure all bolts and screws are tightened before using the table, check bolts and screws every 6 months.

If any parts are missing, broken, damaged or worn, stop use of product until repairs have been made using factory authorized parts.

Failure to follow these warnings may result in injury.