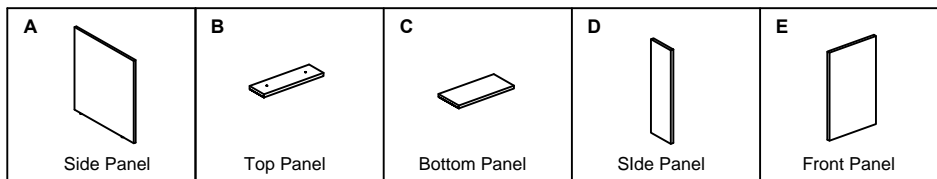
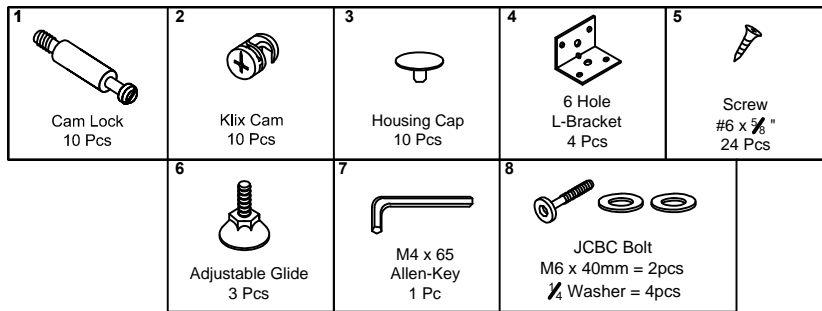
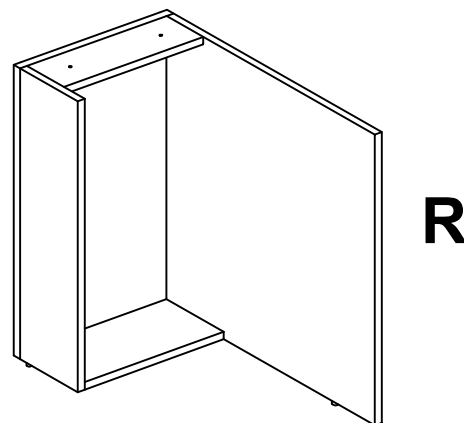
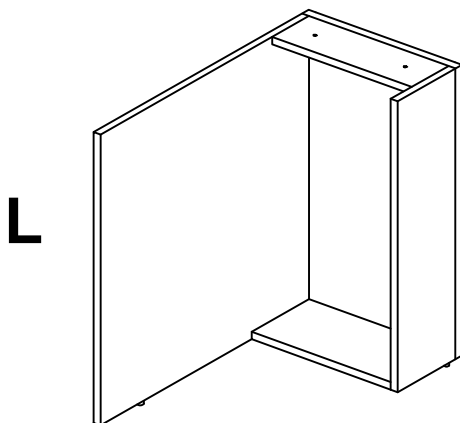
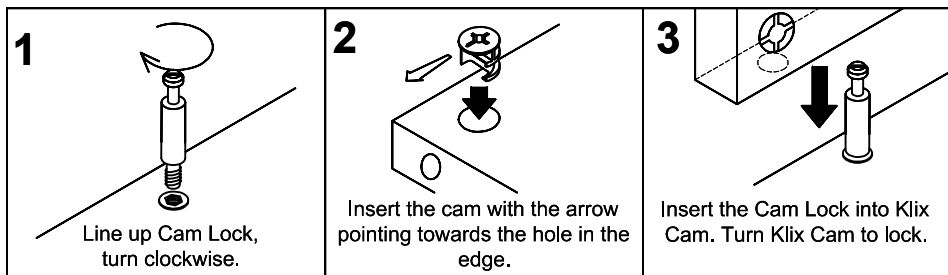


Thank you for purchasing the Performance False Pedestal.
Please follow these instructions for easy assembly.



KLIX CAM INSTRUCTIONS

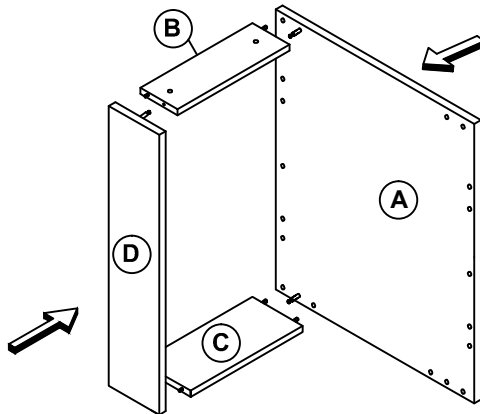


IMPORTANT !!

- Place all wooden parts on a clean and smooth surface such as a rug or carpet to avoid the parts from being scratched.
- Check that you have all parts and hardware.
- Remove all wrapping materials, including staples & packing straps before you start to assemble.
- Do not tighten any screws or bolts until the unit is completely assembled.
- Keep all hardware parts out of reach of children.

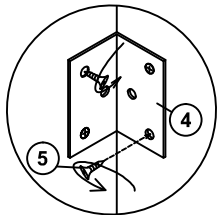
1

Attach Top Panel (B) & Bottom Panel (C) to Side Panel (A) & Side Panel (D) by using Cam Lock (1) and Klix Cam (2).

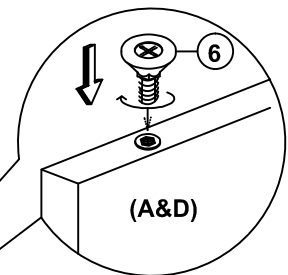
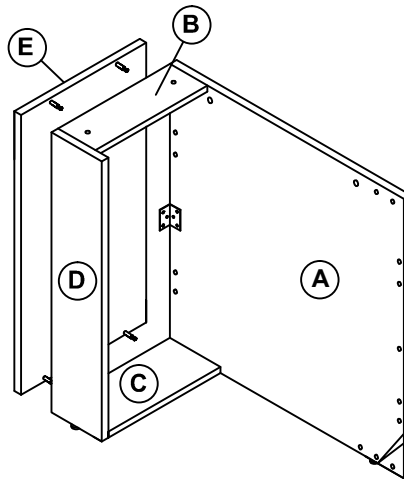


2

Attach Front Panel (E) to Side Panel (A) & Side Panel (D) by using Cam Lock (1) and Klix Cam (2).



Attach L-Bracket (4) to Front Panel (E) and Side Panel (A) / Side Panel (D) with screw (5).



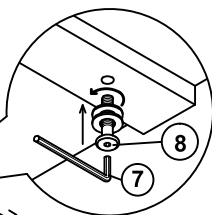
Screw Adjustable Glide (6) into bottom of Side Panel (A) & Side Panel (D).

3

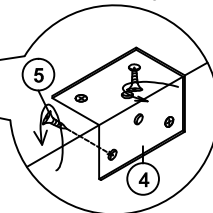
worksurface

Mount False Pedestal to underside of worksurface by using JCBC Bolt (8).

*JCBC Bolt with 2 washers per bolt

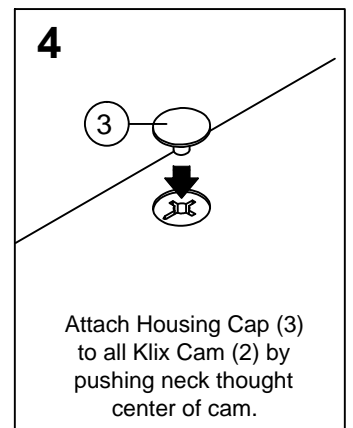


Attach L-Bracket (4) to worksurface and Side Panel with screw (5).



Attach False Pedestal to worksurface by using Cam Lock (1) and Klix Cam (2).

4



Attach Housing Cap (3) to all Klix Cam (2) by pushing neck through center of cam.