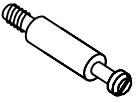



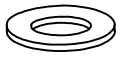

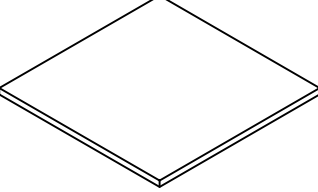
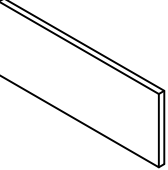
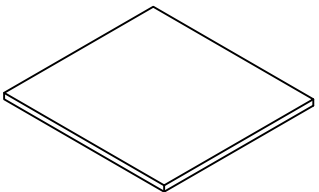
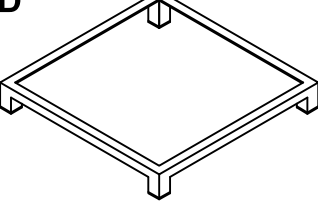
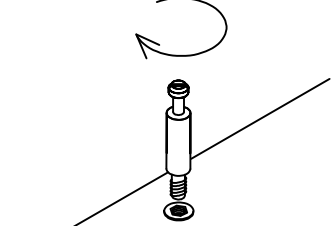
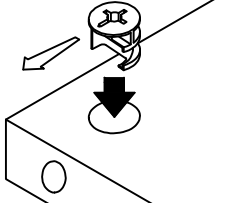
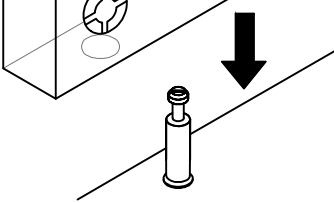


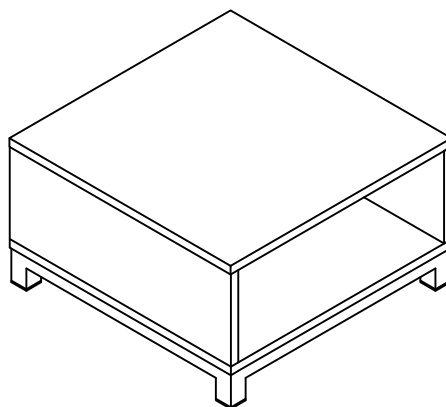
THANK YOU FOR PURCHASING THE PERFORMANCE END TABLE.  
PLEASE FOLLOW THESE INSTRUCTIONS FOR EASY ASSEMBLY.

<p><b>1</b></p>  <p>CAM LOCK 12 Pcs</p>	<p><b>2</b></p>  <p>KLIX CAM 12 Pcs</p>	<p><b>3</b></p>  <p>HOUSING CAP (LONG) 12 Pcs</p>	<p><b>4</b></p>  <p>SCREW M6 x 15MM 4 Pcs</p>	<p><b>5</b></p>  <p>WASHER 4 Pcs</p>	<p><b>6</b></p>  <p>M4 x 65 ALLEN-KEY 1 Pc</p>
--	--	--	--	---	---

<p><b>A</b></p>  <p>TOP PANEL</p>	<p><b>B</b></p>  <p>SIDE PANEL x 2</p>	<p><b>C</b></p>  <p>BOTTOM PANEL</p>	<p><b>D</b></p>  <p>METAL BASE (SOLD SEPERATELY)</p>
--	---	--	---

**KLIX CAM INSTRUCTIONS**

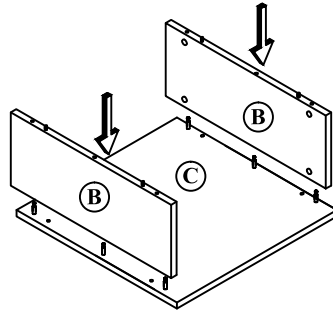
<p><b>1</b></p>  <p>LINE UP CAM LOCK, TURN CLOCKWISE.</p>	<p><b>2</b></p>  <p>INSERT THE CAM WITH THE ARROW POINTING TOWARDS THE HOLE IN THE EDGE.</p>	<p><b>3</b></p>  <p>INSERT THE CAM LOCK INTO KLIX CAM. TURN KLIX CAM TO LOCK.</p>
---	--	---



**IMPORTANT !!**

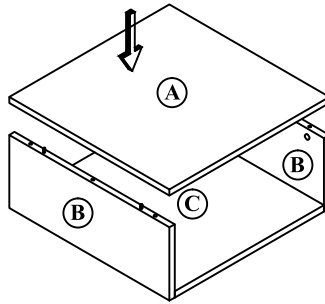
- Place all wooden parts on a clean and smooth surface such as a rug or carpet to avoid the parts from being scratched.
- Check that you have all parts and hardware.
- Remove all wrapping materials, including staples & packing straps before you start to assemble.
- Do not tighten any screws or bolts until the unit is completely assembled.
- Keep all hardware parts out of reach of children.

1



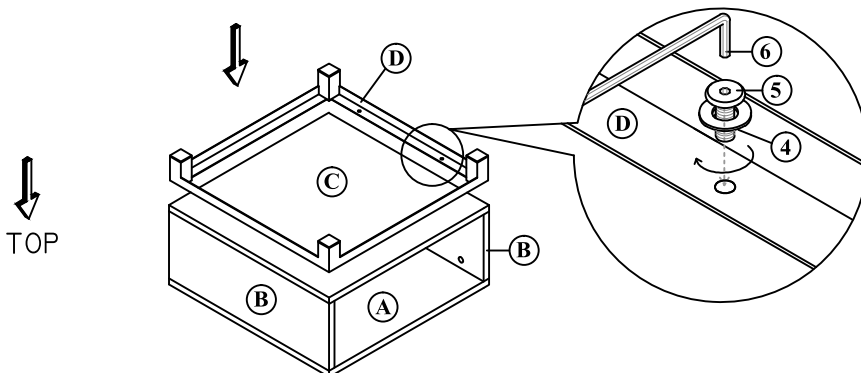
ATTACH SIDE PANELS(B) TO BOTTOM PANEL(C) BY USING CAM LOCK(1) AND KLIX CAM(2).

2



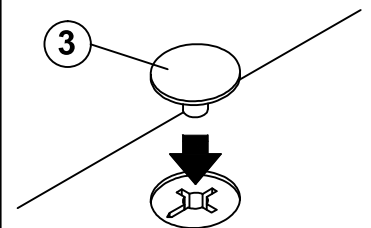
ATTACH TOP PANEL(A) TO SIDE PANELS(B) BY USING CAM LOCK(1) AND KLIX CAM(2).

3



TURN END TABLE FACE DOWN . ATTACH METAL BASE (D) TO FIXED SHELF(C) AS SHOWN. TIGHTEN SCREWS(4) SECURELY.

4



ATTACH HOUSING CAP (3) TO ALL KLIX CAM(2) BY PUSHING NECK THROUGH CENTER OF CAM.