





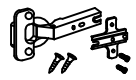

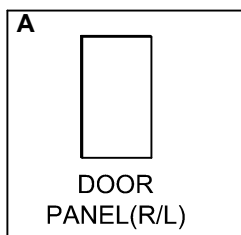
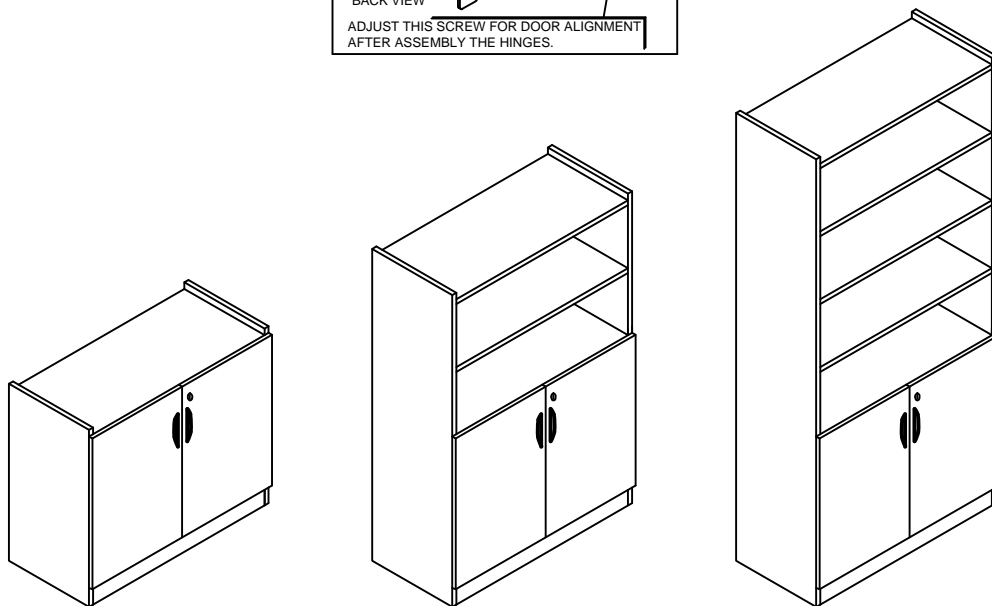
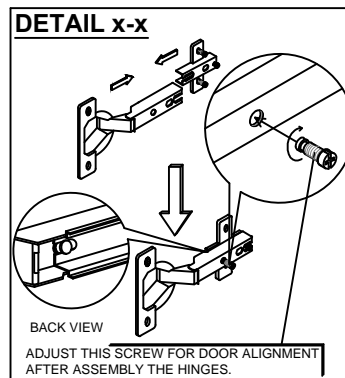


Thank you for purchasing the Performance Bookcase.
Please follow these instructions for easy assembly.

<p>1</p>  <p>Metal Scallop Shape Handle 2 Sets</p>	<p>2</p>  <p>833 L-Bracket 1 Pc</p>	<p>3</p>  <p>Screw #3.5 x 12mm 2 Pcs</p>	<p>4</p>  <p>Door Stopper 1 Pc</p>	<p>5</p>  <p>Screw #3.5 x 16mm 1 Pc</p>	<p>6</p>  <p>Drawer Lock 1 Pc</p>
<p>7</p>  <p>O' Compo Door Hingers 4 Pcs</p>		<p>8</p>  <p>Screw #3.5 x 20mm 4 Pcs</p>			



DOOR HINGERS INSTRUCTIONS



IMPORTANT !!

- Place all wooden parts on a clean and smooth surface such as a rug or carpet to avoid the parts from being scratched.
- Check that you have all parts and hardware.
- Remove all wrapping materials, including staples & packing straps before you start to assemble.
- Do not tighten any screws or bolts until the unit is completely assembled.
- Keep all hardware parts out of reach of children.

