
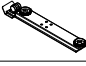


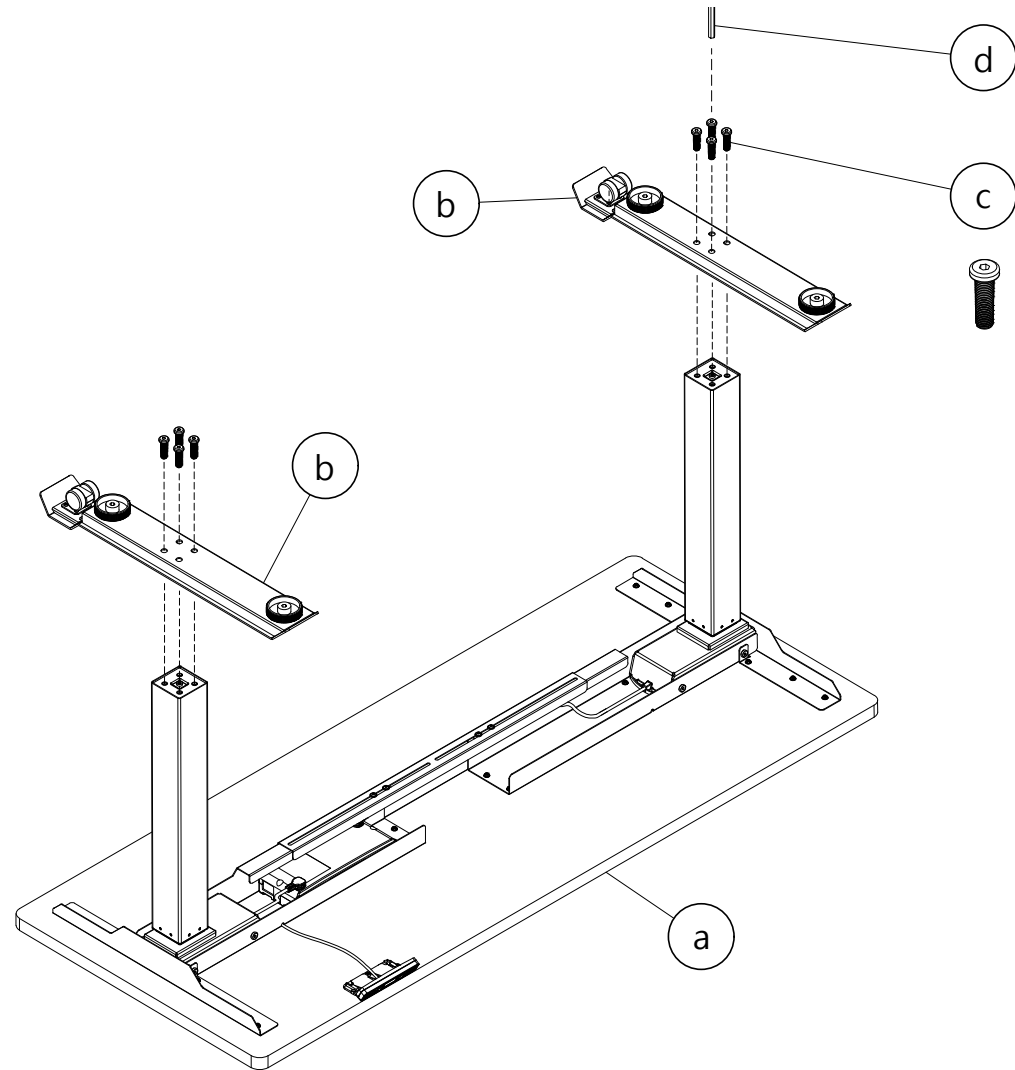


# ASSEMBLY INSTRUCTIONS

## MODEL: PLTMOBHATFEETXX

Before assembly, please remove all parts from the carton, verifying that you have the correct quantities, and read all the instructions.

Part Lists			
No.	Name	Drawing	QTY
a	Assembled Body		1
b	Feet		2
c	Screw M10x35		8
d	Allen Key 5		1



### ⚠ ATTENTION ⚠

Ensure all bolts and screws are tightened, check bolts and screws every 6 months.

If any parts are missing, broken, damaged or worn, stop use of product until repairs have been made using factory authorized parts.

Failure to follow these warnings may result in injury.