

ASSEMBLY INSTRUCTIONS

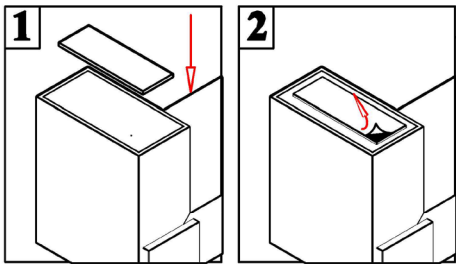
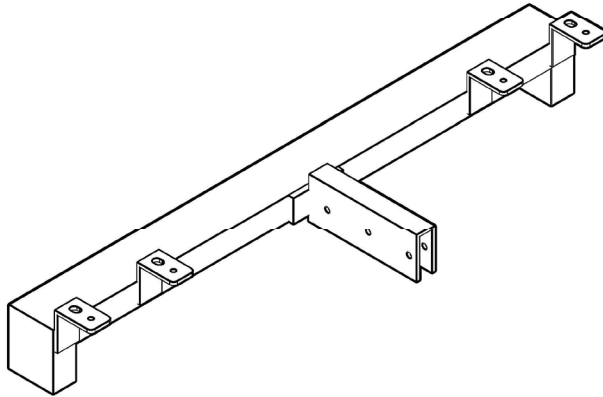
MODEL: PLTLDR2430

Before assembly, please remove all parts from the carton, verifying that you have the correct quantities, and read all the instructions.

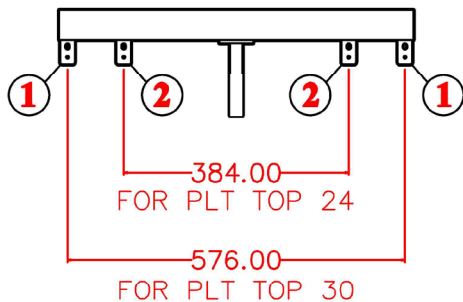
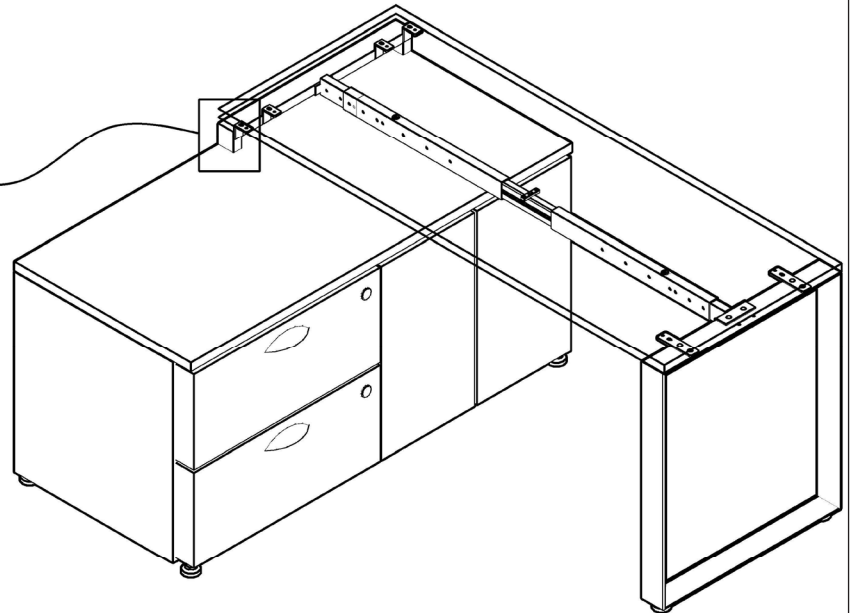
INSTRUCTIONS:

IN THE CARTON:

1		Bolts M6 x 16mm	2 pcs
2		Wood Screw x20mm	2 pcs
3		Double Sided Foam Tape	2 pcs



Paste the double sided foam tape (Part 3) at the bottom of the leg, and peel off the stickers cover.



1. For PLT Top 24: Use bracket number 2 to screw in the bolts (Part 1) and wood screws (Part 2)

2. For PLT Top 30: Use bracket number 1 to screw in the bolts (Part 1) and wood screws (Part 2)

⚠ ATTENTION ⚠

Do not tighten any screws or bolts until the unit is completely assembled.

Ensure all bolts and screws are tightened before using the table, check bolts and screws every 6 months.

If any parts are missing, broken, damaged or worn, stop use of product until repairs have been made using factory authorized parts.

Failure to follow these warnings may result in injury.