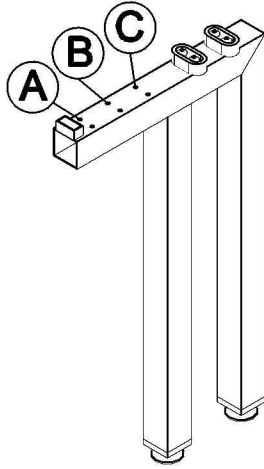





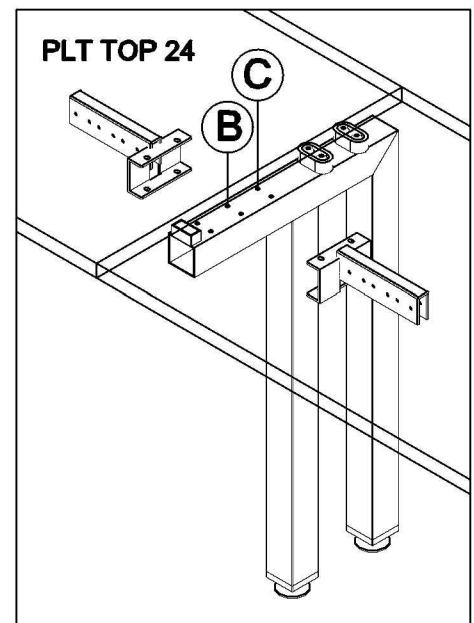
## ASSEMBLY INSTRUCTION



### PART LIST

<b>1</b>		Wood Screw x 20 mm	4 pcs
----------	--	-----------------------	-------

**When using PLT Table top 24**  
Place the Connector Beam Bracket to ( B ) and ( C ) holes



**When using PLT Table top 30**  
Place the Connector Beam Bracket to ( A ) and ( B ) holes

