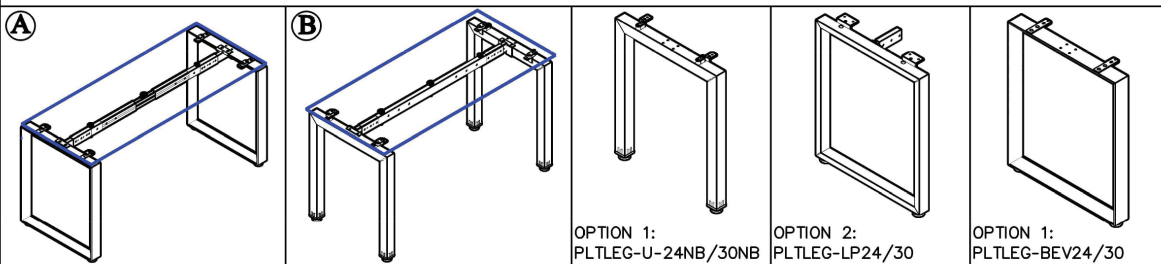


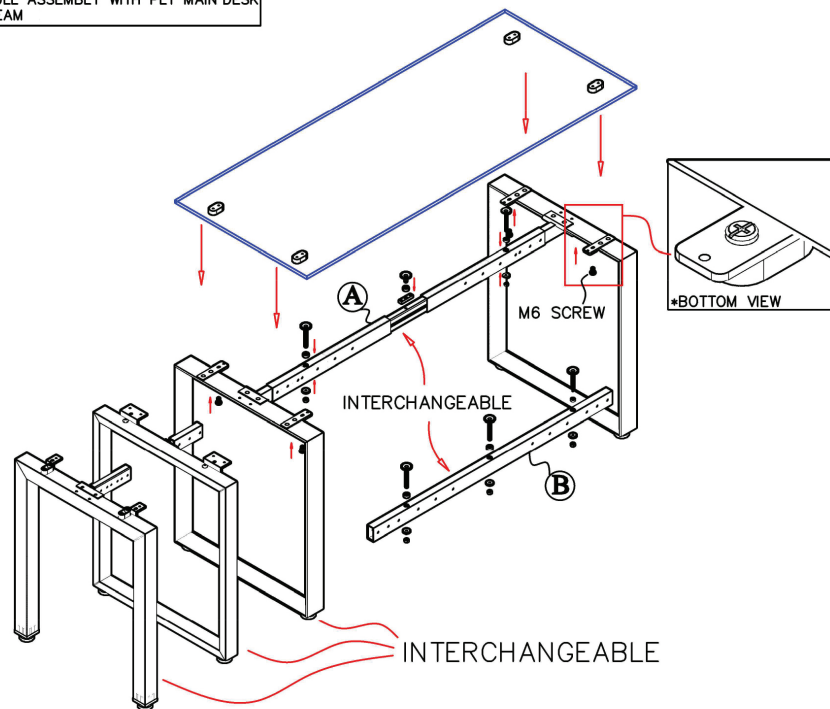
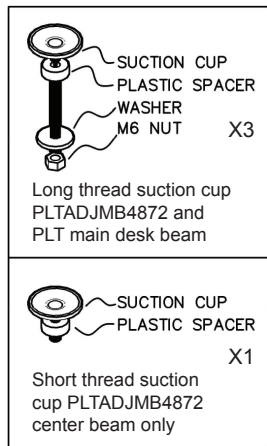


INSTRUCTIONS:

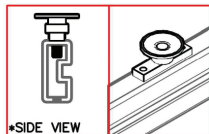


*FULL ASSEMBLY WITH PLTADJMB4872 (ADJUSTABLE MAIN DESK BEAM)

*FULL ASSEMBLY WITH PLT MAIN DESK BEAM

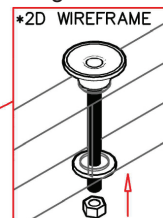


Short Thread



PLTADJMB4872

Long Thread



PLT MAIN DESK BEAM

1. Screw in the suction cup, as shown on the diagram above, with a black plastic spacer in between the beam and the suction cup
2. Lock the suction cup with a washer, and M6 nut from the bottom of the beam. If installing with adjustable beam PLTADJMB4872 the small suction cup in the center does not need locking
3. Place the glass top on top of the desired metal leg, and align the aluminum bracket with the support bracket
4. Slightly screw in the M6 screw from the bottom of the bracket, and check the alignment
5. Once the alignment is correct, tighten the screw completely

⚠ ATTENTION ⚠

Place all wooden parts on a clean, smooth surface to prevent them from being scratched. Check to be sure that you have all parts and hardware. Remove all wrapping materials, including staples and packing straps before you start to assemble. Do not tighten all screws/bolts until all completely assembled. Keep all hardware parts out of reach of children. If any parts are missing, broken, damaged or worn, stop use of product until repairs have been made using factory authorized parts. Failure to follow these warnings may result in injury.