



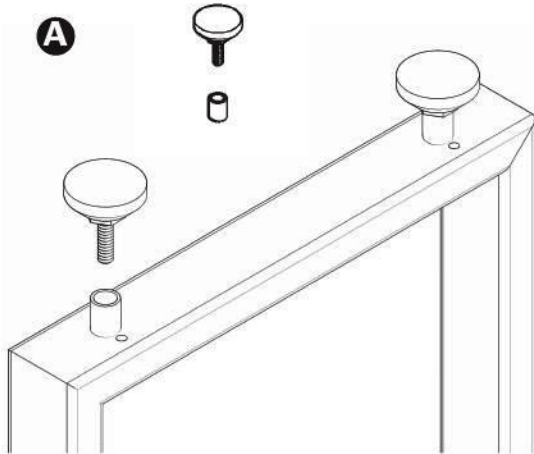


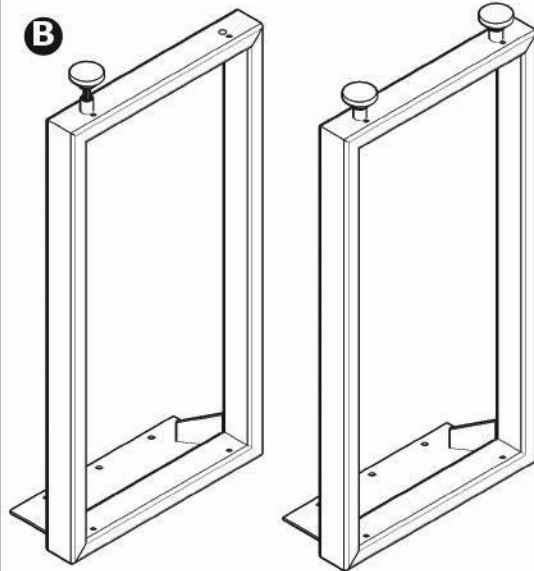
Assembly Instructions for PLTLP-HS-GLIDE

Parts List

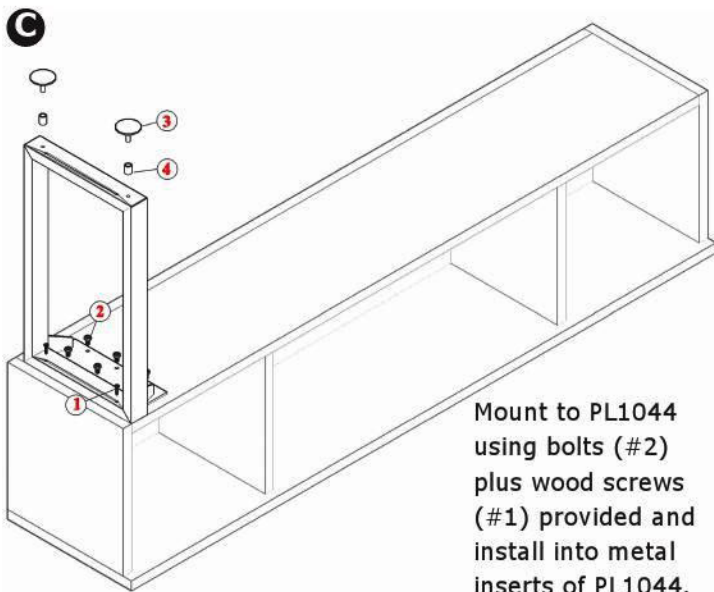
1		Wood Screw x 20 mm	8pcs
2		Bolts M6 x 16 mm	12pcs
3		60 mm Glider	4pcs
4		Ø16 mm Bush	4pcs



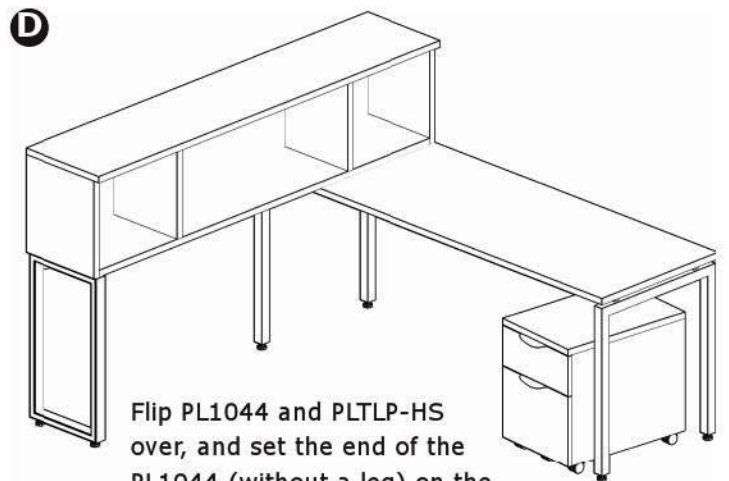
Place plastic spacer over threaded insert on PLTLP-HS unit.



Thread glide through spacer and into PLTLP-HS unit.



Mount to PL1044 using bolts (#2) plus wood screws (#1) provided and install into metal inserts of PL1044.



Flip PL1044 and PLTLP-HS over, and set the end of the PL1044 (without a leg) on the desk top. Adjust glides on PLTLP-HS so the PL1044 is level. Attach the PL1044 to the desktop with supplied double-sided tape.