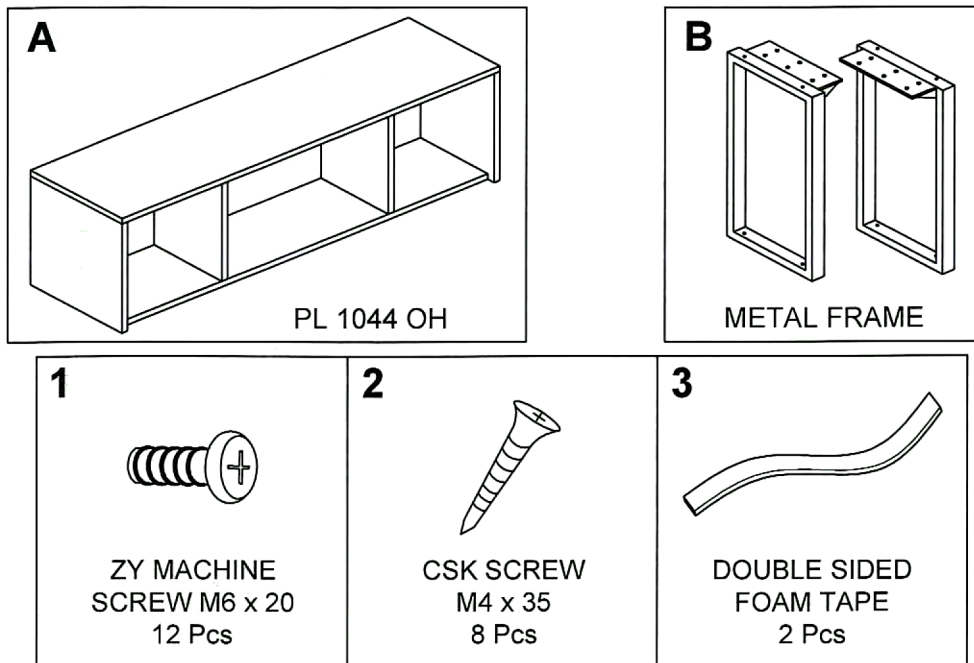
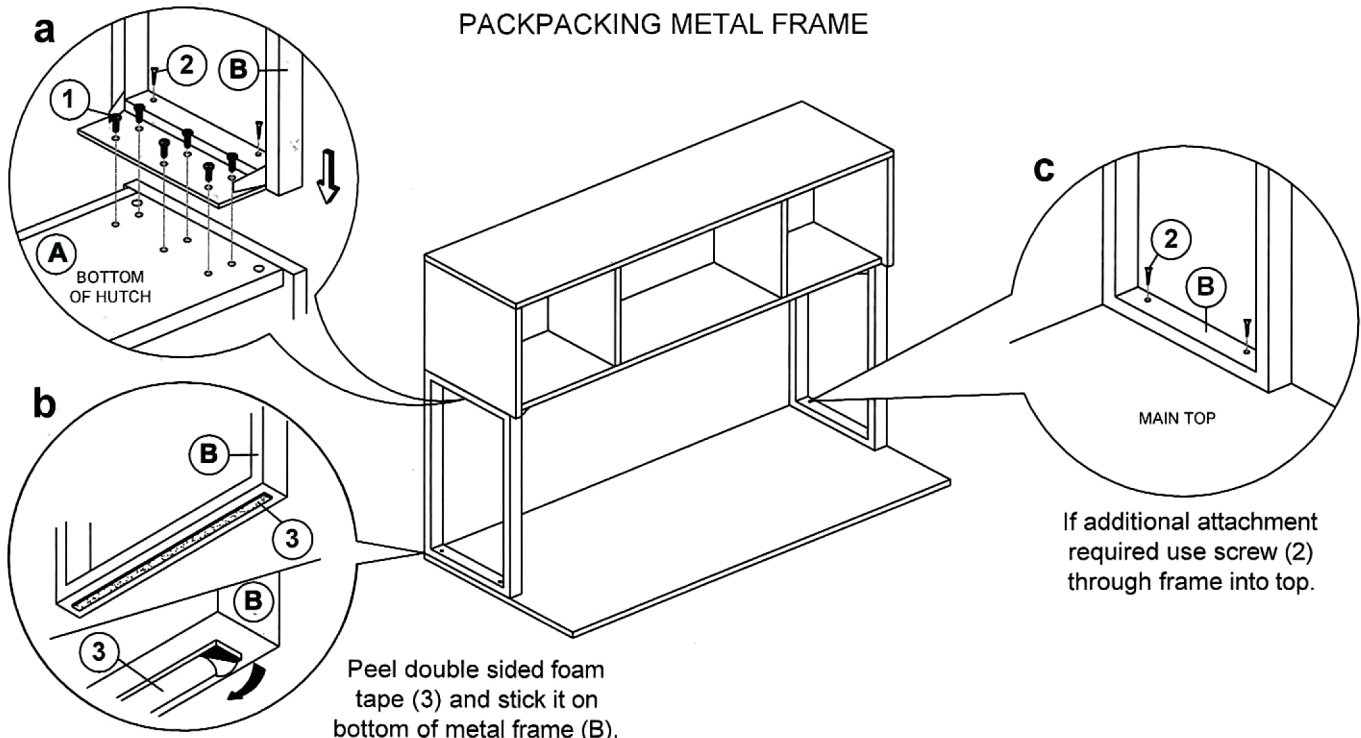


Assembly Instructions for PL1044OH + Metal Frame

Thank you for purchasing the Performance open hutch. Please follow these instructions for easy assembly. If mounting the PL1044 to the desk top (to be used as upper storage, as a hutch) follow directions on Page 1. If mounting the PL1044 directly to the top of the desk top (as a return/divider) follow directions on Page 2.



PACKPACKING METAL FRAME







IMPORTANT !!

- Place all wooden parts on a clean and smooth surface such as a rug or carpet to avoid the parts from being scratched.
- Check that you have all parts and hardware.
- Remove all wrapping materials, including staples & packing straps before you start to assemble.
- Do not tighten any screws or bolts until the unit is completely assembled.
- Keep all hardware parts out of reach of children.

Assembly Instructions for PLTLP-HS-GLIDE

If mounting the PL1044 to the desk top (to be used as upper storage, as a hutch) follow directions on Page 1.
If mounting the PL1044 directly to the top of the desk top (as a return/divider) follow directions on Page 2.

Parts List

1		Wood Screw x 20 mm	8pcs
2		Bolts M6 x 16 mm	12pcs
3		60 mm Glider	4pcs
4		Ø16 mm Bush	4pcs

