

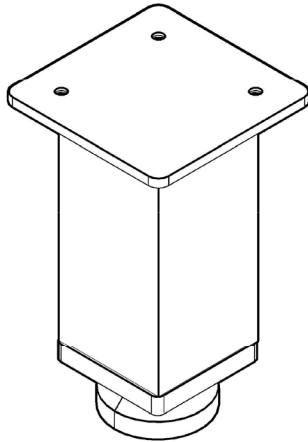
ASSEMBLY INSTRUCTIONS

MODEL: PLTSMRLEG

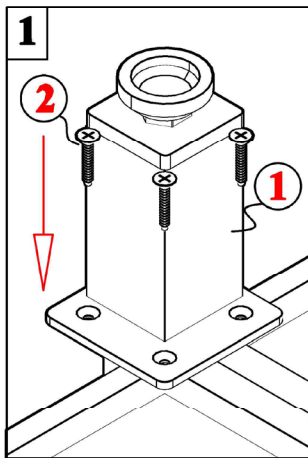
Before assembly, please remove all parts from the carton, verifying that you have the correct quantities, and read all the instructions.

INSTRUCTIONS:

1. Place the cabinet upside down, on a clean surface



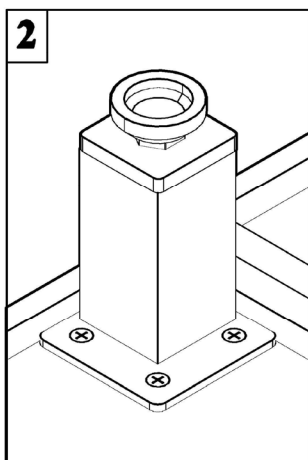
2. Align one of the PLTSMRLEG (Part 1) at the corner of the cabinet




3. Slightly tighten the wood screws (Part 2) through the holes provided

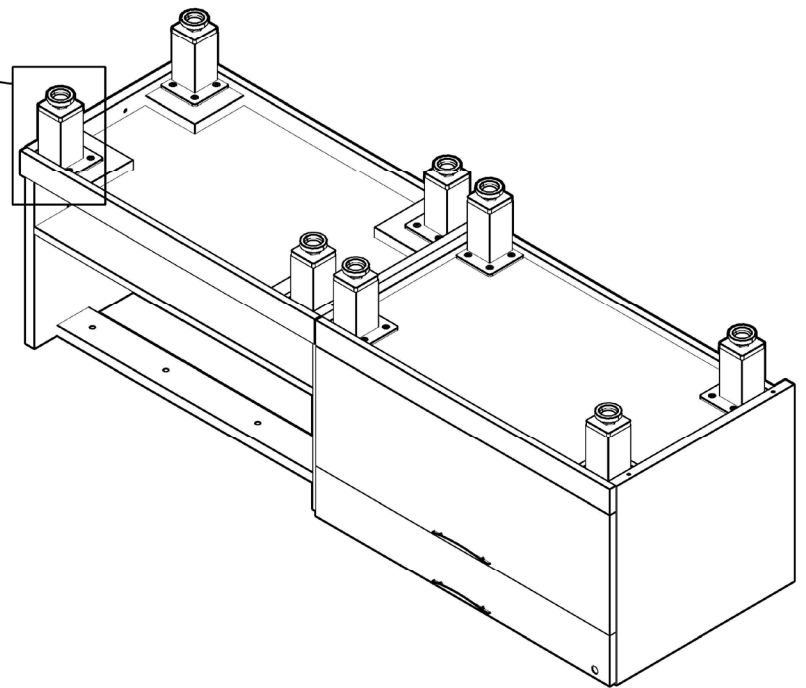
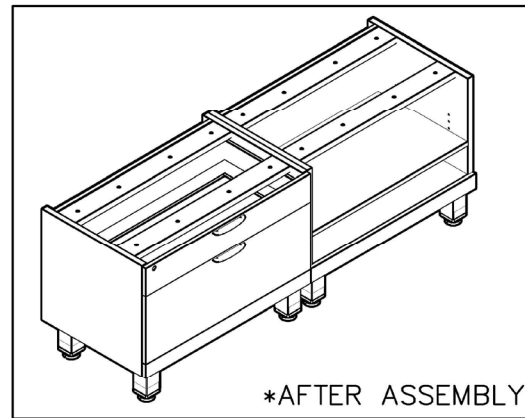
4. Repeat these steps for the 3 remaining PLTSMRLEG

5. Once all legs are aligned, tighten all of the wood screws completely



IN THE CARTON:

1		Square Metal Riser Leg	4 pcs
2		Wood Screw x20mm	12 pcs



⚠ ATTENTION ⚠

Do not tighten any screws or bolts until the unit is completely assembled.

Ensure all bolts and screws are tightened before using the table, check bolts and screws every 6 months.

If any parts are missing, broken, damaged or worn, stop use of product until repairs have been made using factory authorized parts.

Failure to follow these warnings may result in injury.