



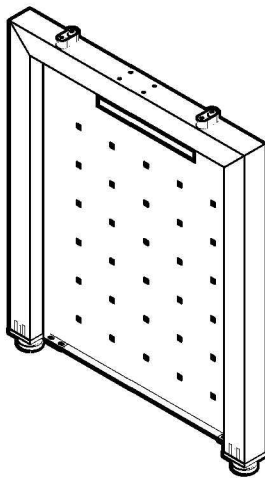
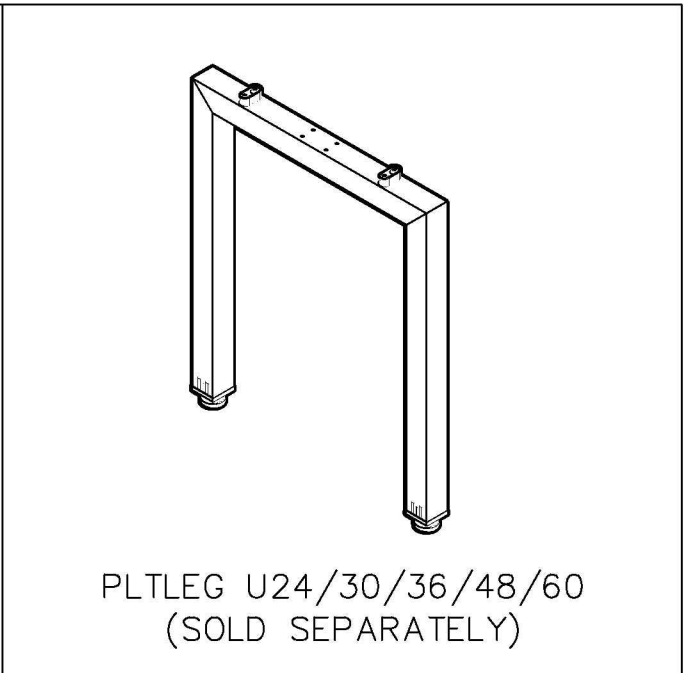
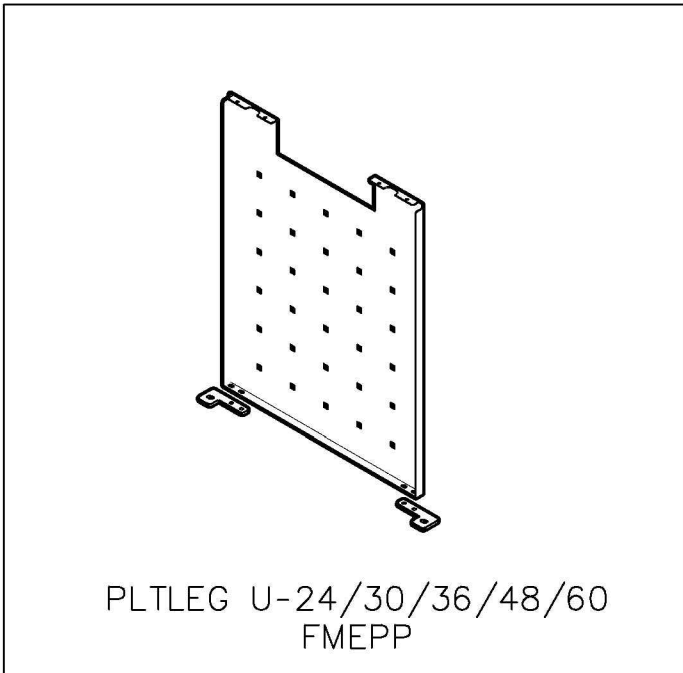


ASSEMBLY INSTRUCTION FOR PERFORATED METAL END PANEL

HARDWARE

1		BOLTS M6X12	4 pcs
2		HEXAGON NUT M6	4 pcs
3		#6 x 1/2" csk SELF DRILLING SCREW	4 pcs
4		BRACKET	2 pcs

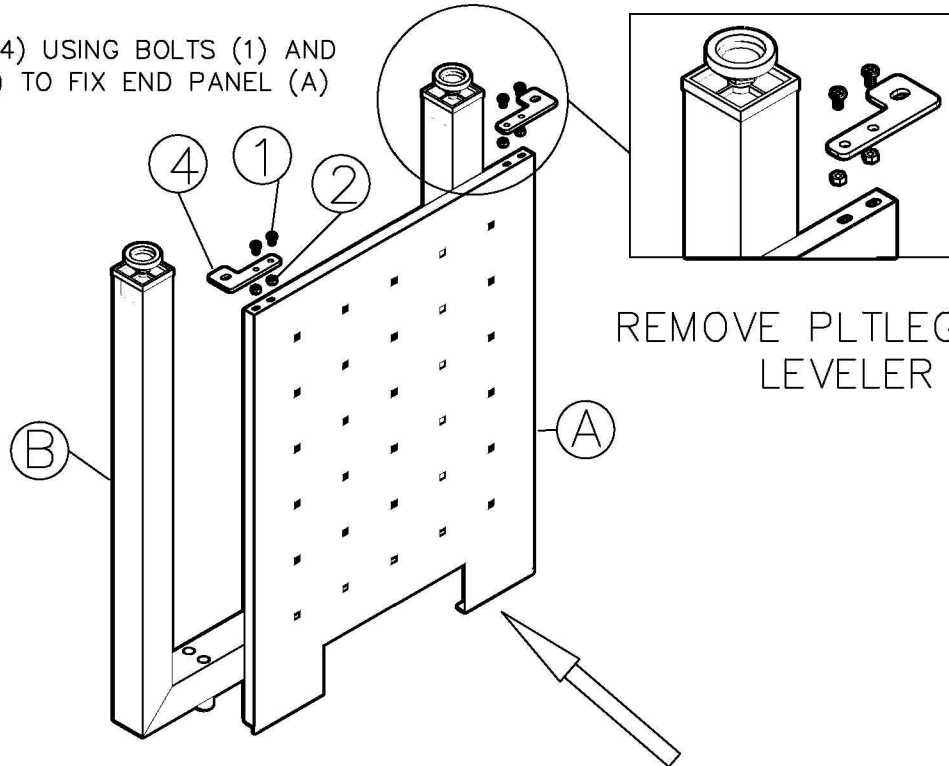


IMPORTANT NOTE :

- * Place all metal parts on a clean, smooth surface to prevent the parts from being scratched.
- * Check that you have all parts and hardware.
- * Remove all wrapping materials including staples & packing straps before you start to assemble.
- * Do not tighten any screws or bolts until the unit is completely assembled.
- * Keep all hardware parts out of reach of children.

ASSEMBLY INSTRUCTION FOR PERFORATED METAL END PANEL

ATTACH BRACKET (4) USING BOLTS (1) AND HEXAGON NUT (2) TO FIX END PANEL (A)



REMOVE PLTLEG U(B)
LEVELER

ATTACH END PANEL (A) TO PLTLEG U(B)

ATTACH TO PLTLEG
U(B) USING SCREW (3)
& FIX END PANEL (A)

(PLEASE NOTE : THERE ARE
NO PRE-DRILLED HOLES)

