

ASSEMBLY INSTRUCTIONS

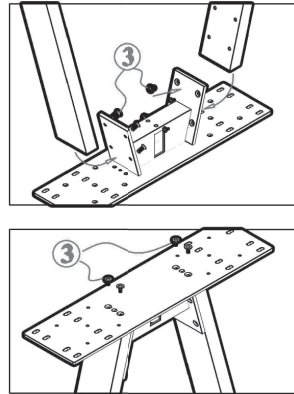
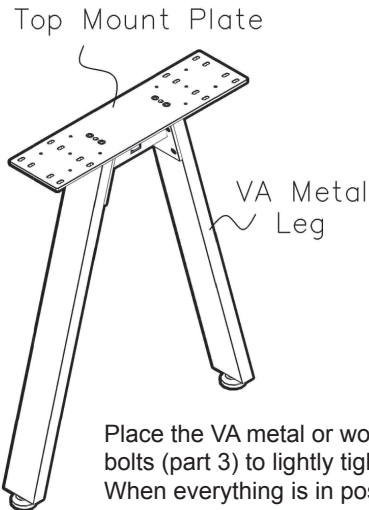
MODEL: PLTVALEGMOUNT2430

Before assembly, please remove all parts from the carton, verifying that you have the correct quantities, and read all the instructions.

****Please Note: When attaching the metal legs to the laminate tops, not all of the provided holes on these metal legs will line up with the metal inserts on the laminate tops. The provided wood screws may also need to be used****

INSTRUCTIONS:

STEP 1



IN THE CARTON:

Leg Part List

1		Allen Key	1 pc
2		Wood Screw x 20 mm	8 pcs
3		CSK Bolt M6 X 12	12 pcs
4		Jam Screw	2 pcs
5		Bolts M6 x 12mm	2 pcs
6		Spacer	5 pcs

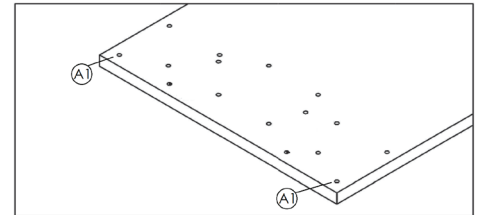
SOLD SEPARATELY PLTCBBDESKBEAM

Main Desk Beam Parts List

7		Wood Screw x 20 mm	4 pcs
8		CSK Bolts M6 X 12mm	1 pc
9		Bolts M6 X 12mm	12 pcs

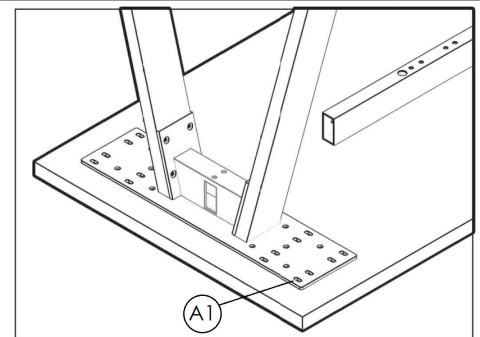
STEP 2

1. Place top upside down on a clean surface
2. **PLBE/PLT table tops are used for several applications, and have many metal inserts. Only two of these inserts are used for the PLTVALEG. These inserts are the "A1" inserts, as per the PLT instructions.**



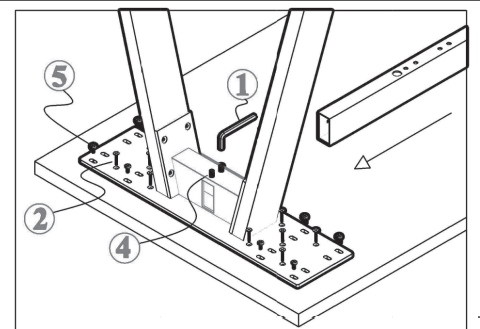
STEP 3

3. Slide the metal cross beam slightly through the opening found at the top of the leg
4. Fasten the second leg to the top following steps 2 and 3
5. Centre the cross beam so that it is placed evenly through the opening of both legs

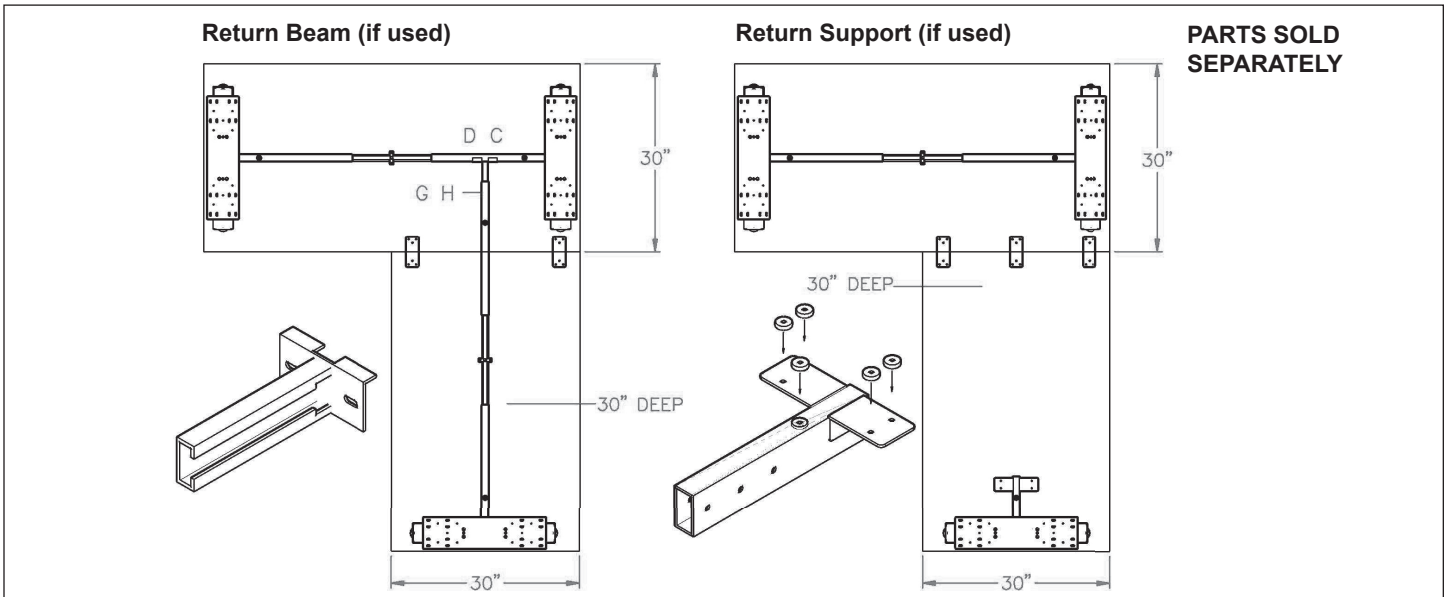
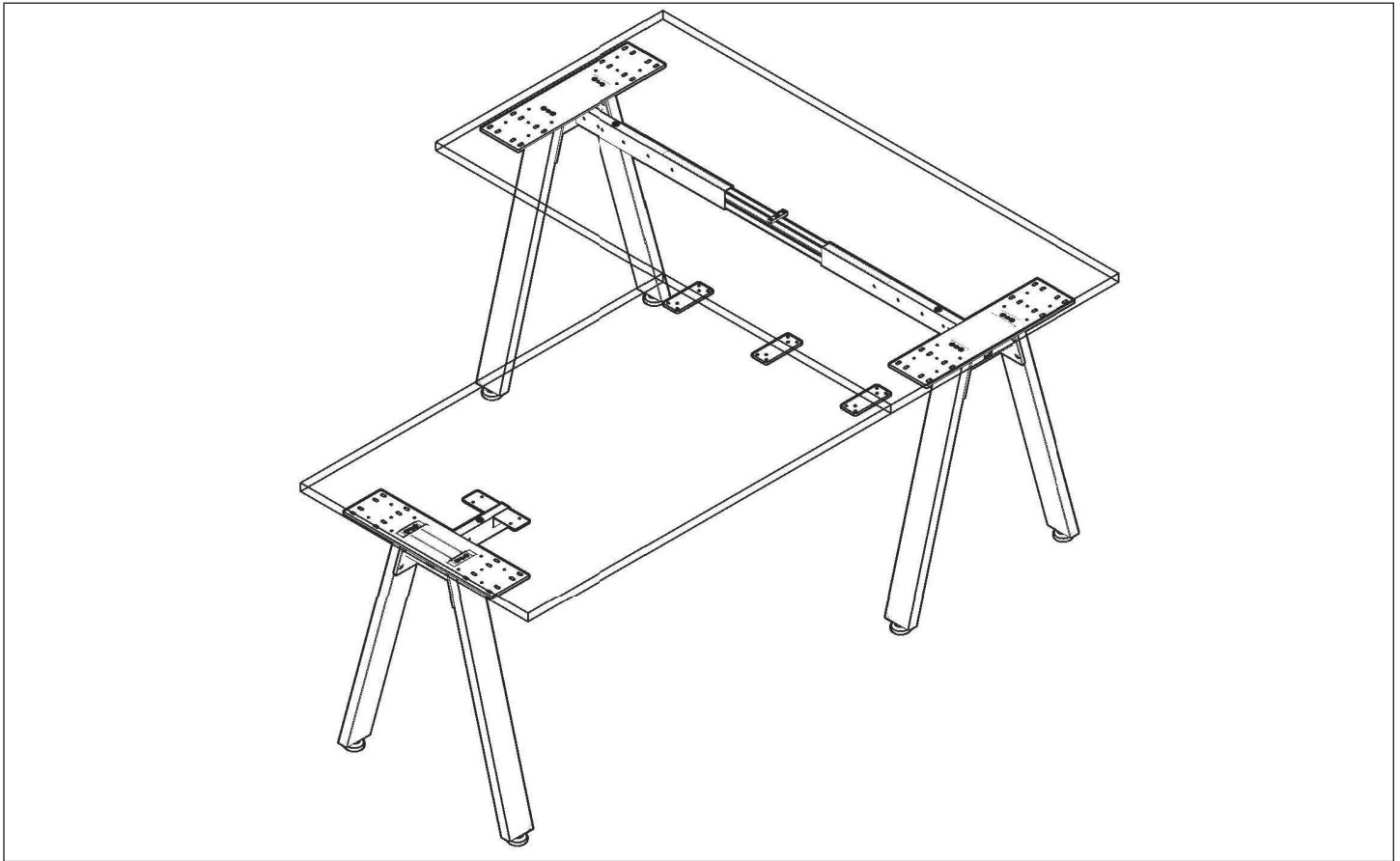


STEP 4

6. Tighten the cross beam to each leg by using two of the set screws with Allen Key
7. Use wood screw (part 2) to attach the leg to the work surface.



ASSEMBLY INSTRUCTIONS
MODEL: PLTVALEGMOUNT2430



⚠ ATTENTION ⚠

Do not tighten any screws or bolts until the unit is completely assembled.
Ensure all bolts and screws are tightened before using the table, check bolts and screws every 6 months.
If any parts are missing, broken, damaged or worn, stop use of product until repairs have been made using factory authorized parts.
Failure to follow these warnings may result in injury.