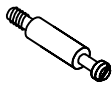







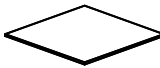


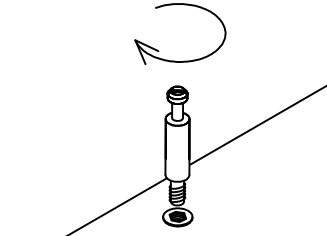
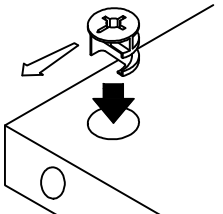
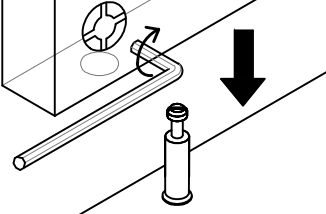


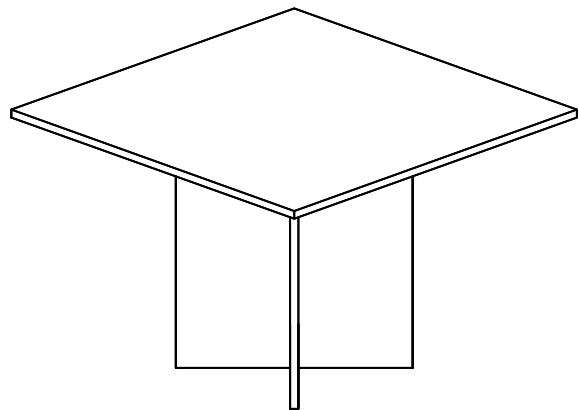
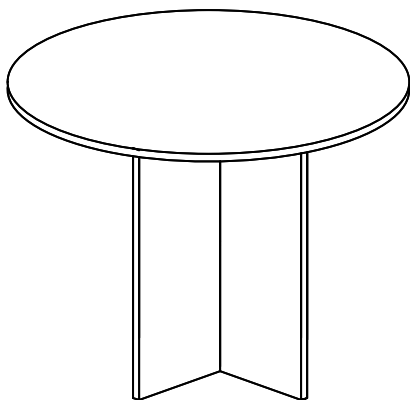
**Thank you for purchasing the Performance Round Table.  
Please follow these instructions for easy assembly.**

<p><b>A</b></p>  <p><b>Cam Lock</b> 4 Pcs</p>	<p><b>B</b></p>  <p><b>Klix Cam</b> 4 Pcs</p>	<p><b>C</b></p>  <p><b>Housing Cap</b> 4 Pcs</p>	<p><b>D</b></p>  <p><b>Adjustable Glide</b> 4 Pcs</p>	<p><b>E</b></p>  <p><b>6 Hole L-Bracket</b> 4 Pcs</p>	<p><b>F</b></p>  <p><b>Screw</b> #6 x 3/8" 24 Pcs</p>	<p><b>G</b></p>  <p><b>M4 x 65 Allen-Key</b> 1 Pc</p>
--	--	---	--	---	--	--

<p><b>1</b></p>  <p>(Table Top Sold Separately) <b>PLT/PLBE TOP</b></p>	<p><b>2</b></p>  <p>(Table Top Sold Separately) <b>PLT/PLBE TOP</b></p>	<p><b>3</b></p>  <p><b>PLWXB (Bottom)</b></p>	<p><b>4</b></p>  <p><b>PLWXB (Top)</b></p>
--	--	--	--

**KLIX CAM INSTRUCTIONS**

<p><b>1</b></p>  <p><b>Line up Cam Lock, turn clockwise.</b></p>	<p><b>2</b></p>  <p><b>Insert the cam with the arrow pointing towards the hole in the edge.</b></p>	<p><b>3</b></p>  <p><b>Insert the Cam Lock into Klix Cam. Turn Klix Cam to lock by Allen-Key .</b></p>
--	---	--



**IMPORTANT :**

- Place all wooden parts on a clean and smooth surface such as a rug or carpet to avoid the parts from being scratched.
- Check to be sure that you have all parts and hardware.
- Remove all wrapping materials, including staples & packing straps before you start to assemble.
- Do not tighten screws/bolts until the unit is completely assembled.
- Keep all hardware parts out of reach of children.

