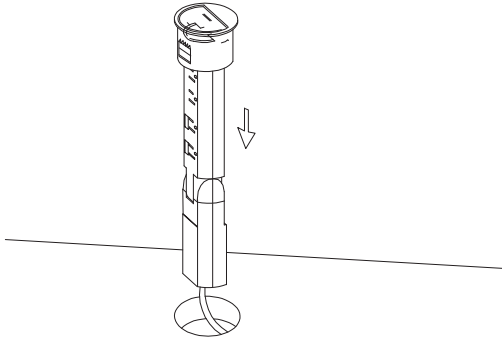
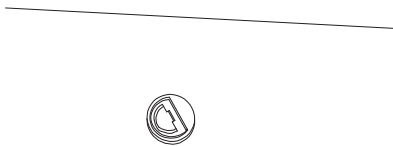


ASSEMBLY INSTRUCTIONS MODEL: PPGPO4E2UBLK

Thank you for purchasing the Pull-Out Power Grommet from Performance Office Furnishings. Before assembly, please remove all parts from the carton and verify that you have correct quantities.



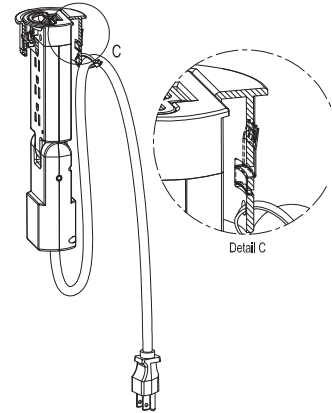
Step 1
Place Outlet into 60mm hole.
Make sure sliding grommet ring is pressed all the way down, and fits tightly in the hole.



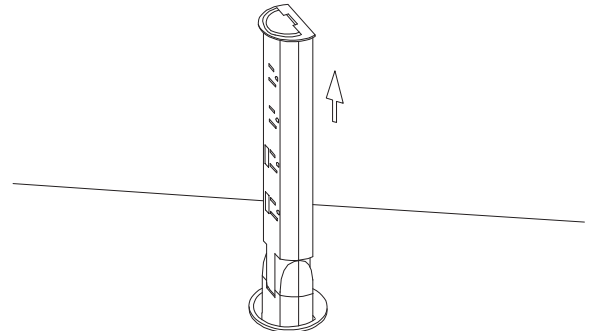
Step 3
Lower the Outlet all the way down when not in use.

SPECIFICATIONS

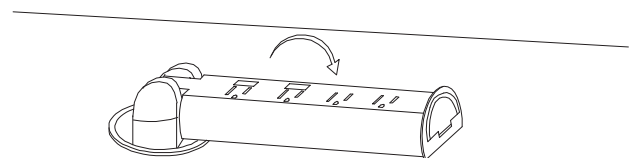
- UL/cUL Listed
- Four AC outlets
- Two USB ports
- AC Cord: 8' long, 14 AWGx3-wire
- 15 Amp sliding switch/reset break
- Red LED surge indicator
- Electrical rating: 15 A, 125V, 50/60Hz
- Keep away from liquids.
- Do not overload circuits.
- Indoor use only.
- To ensure safety, turn off power before inserting plug.



Step 2
Place the metal clips on both sides of the grommet before the installation (to prevent the grommet from going anywhere).



Step 4
Use the Pull Ring to lift the Outlet.



Step 5
Fold the Outlet over before using.