













ASSEMBLY INSTRUCTIONS

MODEL: PL169DELTT

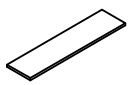

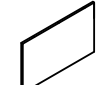
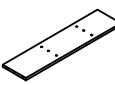
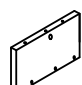
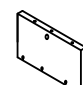
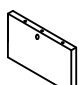

Before assembly, please remove all parts from carton, verifying that you have the correct quantities, and read all the instructions.

IN THE CARTON:

HARDWARE

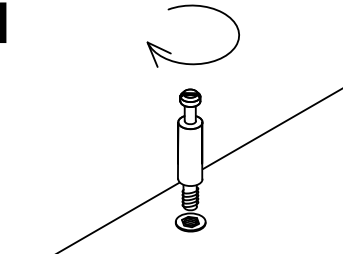
1  Cam Lock 15 Pcs	2  Klix Cam 15 Pcs	3  Housing Cap (Long) 3 Pcs	4  Housing Cap (Short) 12 Pcs	5  JCBCW M7X40 2 Pcs	6  3" L-Bracket With 6 Holes 3 Pcs	7  Screw #6 x 3/8" 18 Pcs	8  M4 x 65 Allen-Key 1 Pc	9  Ø8mm Hole Plug 7 Pcs	10  ØD-Nut Hole Plug 3 Pcs	11  5mm Rubber spacer 3 Pcs	12  Screw M3.5X12 3 Pcs
--	--	---	---	--	---	--	---	--	---	--	---

COMPONENTS

A  Desk Top	B  Side Panel	C  Back Panel	D  Bottom Panel	E  Side Panel S-L	F  Side Panel S-R	G  Center Panel-2PCS	H  PL169 NTT (Sold Separately)
--	--	--	--	--	---	---	--

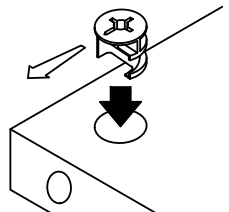
KLIX CAM INSTRUCTIONS

1



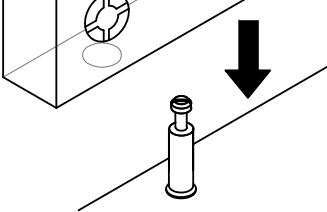
Line up Cam Lock,
turn clockwise.

2

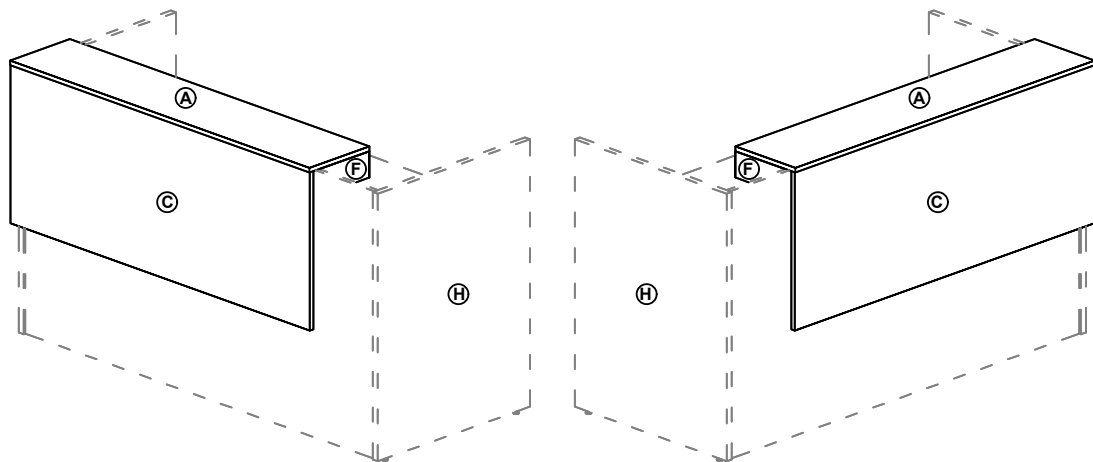


Insert the cam with the arrow
pointing towards the hole in
the edge.

3



Insert the Cam Lock into Klix
Cam. Turn Klix Cam to lock.



LEFT

RIGHT

INSTRUCTION: RIGHT

1

Attach Center Panel (G) to Bottom Panel(D) by using JBCW(5).

Attach Side Panel Small(E)&(F) to Bottom Panel(D) by using Cam Lock(1) and Klix Cam(2).

2

Attach Side Panel(B) to Back Panel(C) by using Cam Lock(1) and Klix Cam(2).

3

Attach Side Panel(B) to Back Panel(C) by using Cam Lock(1) and Klix Cam(2).

4

Attach Rubber Spacer(11) to Back Panel(C) by using Cam Screw(13).

Attach Hole Plug(9)&(10) to Side Edge of Side Panel(B) & Back Panel(C).

Attach assembled Components to Top Panel(A) by using Cam Lock(1) and Klix Cam(2).

5

Attach Housing Caps to all Klix Cams by pushing neck of cap through center of cam.

6

Attach Assembled body to PL169NTT(H) slowly. Secure Bottom Panel(D) to PL169NTT(H) back Panel with L-Bracket(6). Tighten Screw(7) securely.

INSTRUCTION: LEFT

1

Attach Center Panel (G) to Bottom Panel(D) by using JCBCW(5).

Attach Side Panel Small(E)&(F) to Bottom Panel(D) by using Cam Lock(1) and Klix Cam(2).

2

Attach Side Panel(B) to Back Panel(C) by using Cam Lock(1) and Klix Cam(2).

3

Attach Side Panel(B) to Back Panel(C) by using Cam Lock(1) and Klix Cam(2).

4

Attach Rubber Spacer(11) to Back Panel(C) by using Cam Screw(13).

Attach Hole Plug(9)&(10) to Side Edge of Side Panel(B) & Back Panel(C).

Attach assembled Components to Top Panel(A) by using Cam Lock(1) and Klix Cam(2).

5

Attach Housing Caps to all Klix Cams by pushing neck of cap through center of cam.

6

Attach Assembled body to PL169NTT(H) slowly. Secure Bottom Panel(D) to PL169NTT(H) back Panel with L-Bracket(6). Tighten Screw(7) securely.

⚠ ATTENTION ⚠

Place all wooden parts on a clean, smooth surface to prevent them from being scratched. Check to be sure that you have all parts and hardware. Remove all wrapping materials, including staples and packing straps before you start to assemble. Do not tighten all screws/bolts until all completely assembled. Keep all hardware parts out of reach of children. If any parts are missing, broken, damaged or worn, stop use of product until repairs have been made using factory authorized parts. Failure to follow these warnings may result in injury.