

# Hawk



Single + Double  
Gas-Spring Monitor Arms.



# Single + Dual Gas-Spring Monitor Arms.

## Heavy Duty, yet Effortless.

# Hawk

Experience unmatched ergonomics with our Hawk Monitor Arms. Beyond their sturdy exterior, these arms boast a 360-degree rotation capability, effortlessly moving (or tilting) to any preferred position. Charge your devices conveniently with the integrated two USB ports. Customize your installation with the option of a clamp or grommet mount.

### Key Features + Benefits.

SINGLE MONITOR ARM.  
33SGLUAUCCGBLK



CLAMP (EDGE) INSTALLATION.  
Desk thickness 0.8-3.5"

DUAL MONITOR ARM.  
33DBLUAUCCGBLK



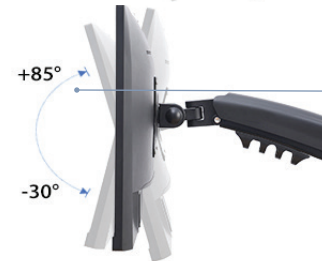
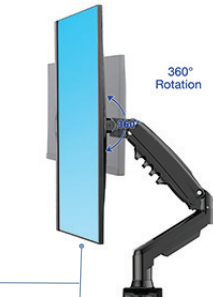
GROMMET INSTALLATION.  
Diameter of the hole .39-1.97"  
Desk thickness 0.8-3.5"

**BUILT-IN HIGH-QUALITY GAS-SPRING.** for long lasting lifespan  
Designed with a durable and reliable gas-spring mechanism, our monitor arms ensures long-lasting support and stability for your displays.

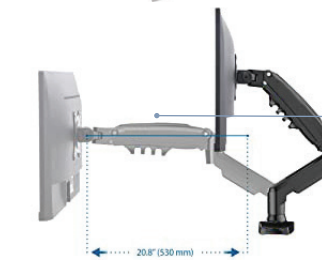


**ENHANCED SWIVEL FLEXIBILITY.**  
Effortlessly share screens with clients or colleagues.

**EFFORTLESS 360-DEGREE ROTATION.** Enjoy the flexibility of easily switching between landscape and portrait mode with our 360-degree rotation.



**ADJUSTABLE TILT FOR OPTIMAL VIEWING.** Say goodbye to discomfort and glare with our monitor arm's wide tilt range.



**EXTEND REACH FOR MAXIMUM FLEXIBILITY.** Our monitor arm offers an extended reach, allowing you to position your screen closer or further away.

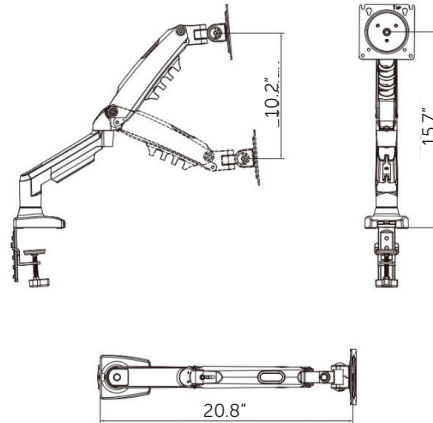
## Features.

- Single + dual gas-spring monitor arm
- Freely adjustable height
- Cable management system
- Includes 2 x USB 3.0 ports
- Weight capacity: 4.4-20 lbs
- Tilt: +85°/-30°
- Swivel: 220°
- VESA: 3x3-4x4 inches
- Rotation: 360°

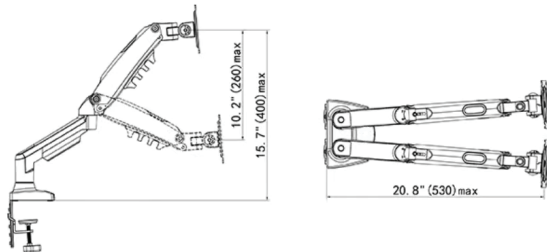
## Specifications. (inches)

20.8" x 10.2" x 15.7"

Screen size: 17"H x 30"W



Single Dimensional Drawing (inches)



Dual Dimensional Drawing (inches)

## Materials.

- Aluminium + plastic

## Color



Black